

Florin 41



Florin wall mounted fixed shower head and arm

The Florin Collection brings together modern, rounded forms with the linear shapes synonymous with Art Deco design. Made in England using traditional techniques.

- 7.25psi minimum

Polished chrome (shown)



Pomme de douche à fixation murale

La collection Florin allie formes modernes et arrondies et silhouette linéaire, typique du design Art Déco. Fabriquée en Angleterre à l'aide de techniques traditionnelles.

- Minimum 7,25psi

Chrome poli (voir photo)



Ducha fija con brazo para montaje sobre pared

La Colección Florin une las formas modernas y redondas con las líneas propias del diseño art déco. Fabricada en Inglaterra a partir de técnicas tradicionales.

- Mínimo 7,25psi

Cromado brillante (ver foto)

- FLO-41-PC Polished chrome, Chrome poli, Cromado brillante
- FLO-41-BN Brushed nickel, Nickel brossé, Niquel satinado
- FLO-41-PN Polished nickel, Nickel poli, Niquel brillante
- FLO-41-UB Unlacquered brass, Laiton poli, Latón no lacado

Unlacquered brass is a "living finish" that will patina naturally over time without regular polishing

Le laiton mat est une "finition vivante" qui se patine naturellement avec le temps

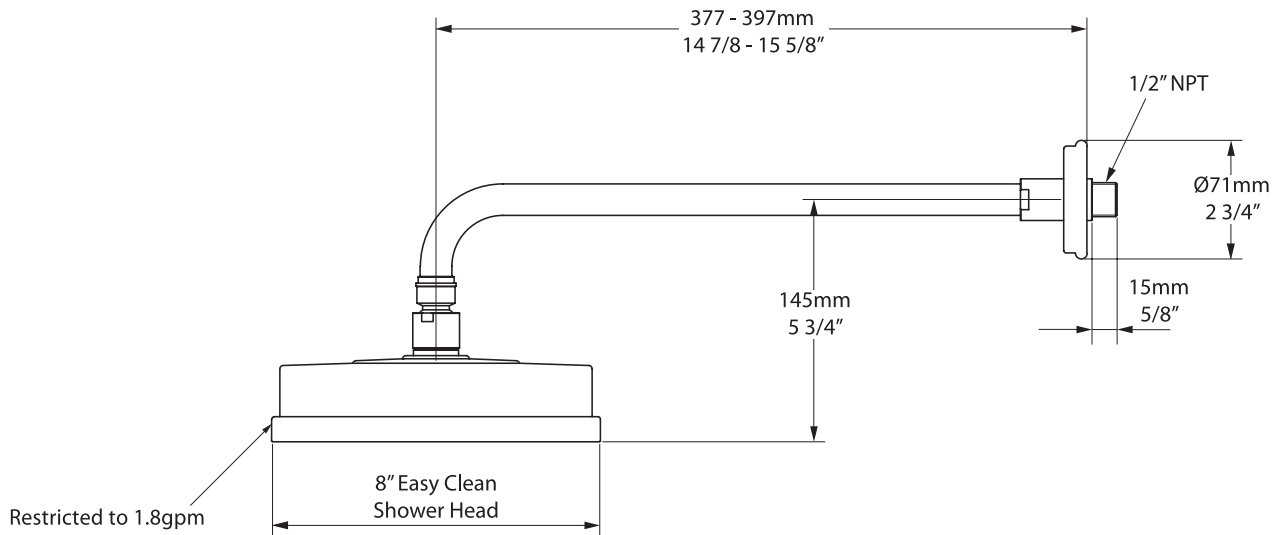
El bronce no lacado es un "acabado vivo" que irá cambiando gracias al desarrollo de una pátina natural que se irá creando a medida que pase el tiempo y sin necesidad de pulirlo

5
years



Massachusetts Code: Approved
 cUPC listing (ASME & CSA) by IAPMO Listed
 Lead Free listing (Safe Drinking Water Act & California Health & Safety Code) by IAPMO: File No. Pending
 Drinking Water Listing (NSF 61) by IAPMO: File No. Pending
 CEC Appliance Efficiency Program: Listed
 Department of Energy Certificate: Pending
 ADA Compliant: Pending

Florin 41 FLO-41-**



Florin 41

US 7.25psi minimum, 14.50psi recommended

FR Minimum 7,25psi, 14,50psi recommandée

ES Mínimo 7,25psi, 14.50psi recomendado

***All measurements subject to +/-5% tolerance**



.dwg | .dxf | .skp www.vandabaths.com



Massachusetts Code: Approved
 cUPC listing (ASME & CSA) by IAPMO: Listed
 Lead Free listing (Safe Drinking Water Act & California Health & Safety Code) by IAPMO: File No. Pending
 Drinking Water Listing (NSF 61) by IAPMO: File No. Pending
 CEC Appliance Efficiency Program: Listed
 Department of Energy Certificate: Pending
 ADA Compliant: Pending