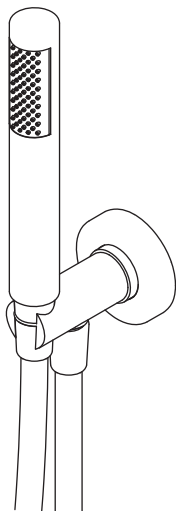
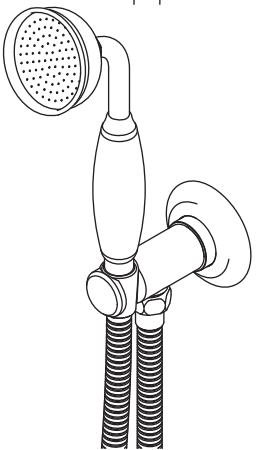
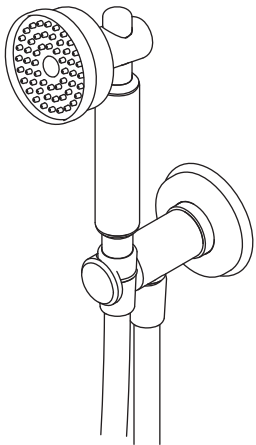


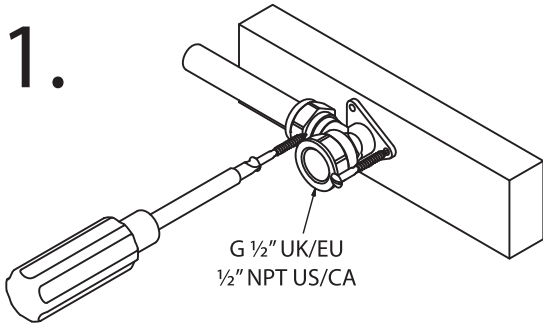
Handshowers

FLO-42, STA-42, TU-42



Fitting instructions
Notice d'installation
Instrucciones de montaje
Montageanleitung
Istruzioni di montaggio
Montagehandleiding
Instrukcja montażu
Указания по креплению

1.



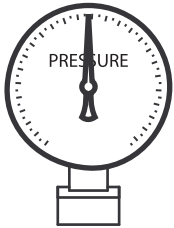
G 1/2" UK/EU
1/2" NPT US/CA



UK/EU

1.0 - 5 Bar

Max ratio hot to cold = 5:1



US/CA

14.5 - 72.5 psi

Max ratio hot to cold = 5:1

Max flow 6.8 L/min (1.8gpm)

Max temperature outlet 120°F

5 - 14mm

G 1/2"

UK/EU

7/16" Max
3/16" Min

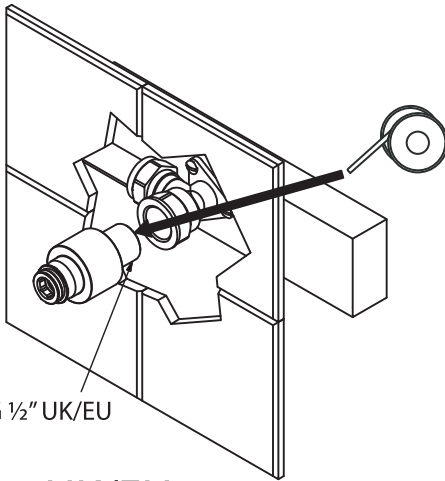
1/2" NPT

US/CA

15 - 24mm

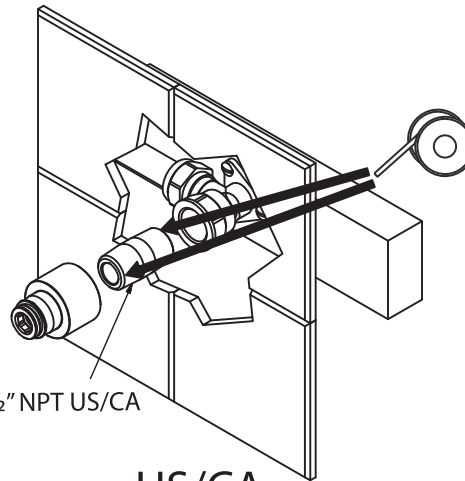
!
CHECK
COMPROBAR
VERIFER
ÜBERPRÜFEN

2.



G 1/2" UK/EU

UK/EU



1/2" NPT US/CA

US/CA

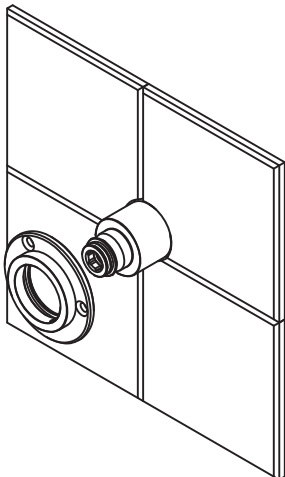


!
CHECK
COMPROBAR
VERIFER
ÜBERPRÜFEN

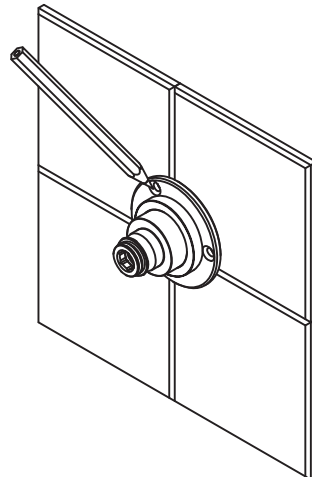


Clean Pipes
Limpiar Tuberias
Netoyer La Tuyaterie
Rohre Sauber Machen

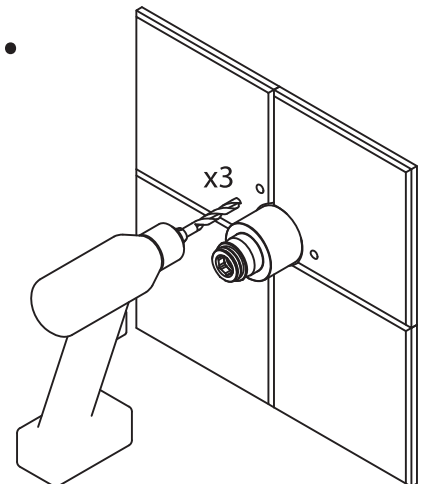
3.



4.

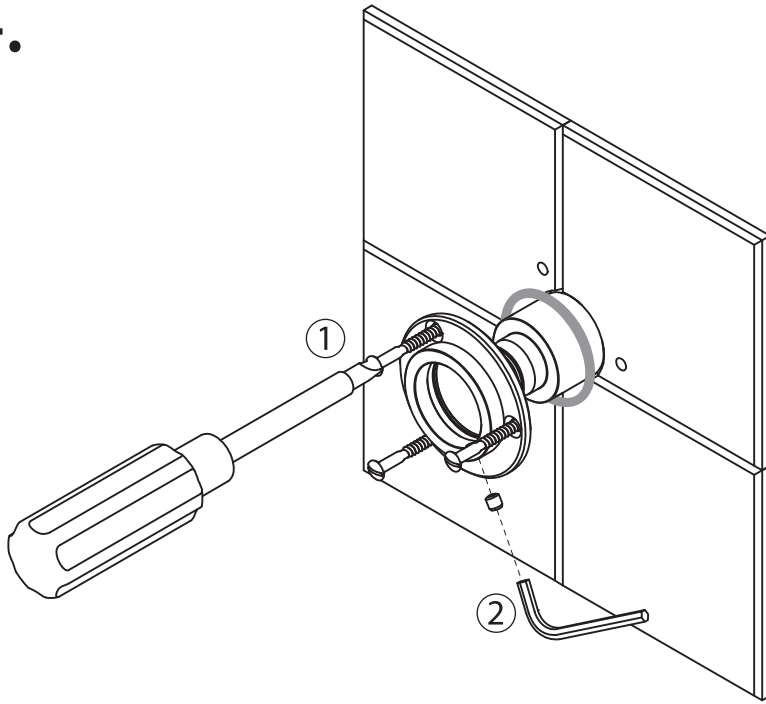


5.

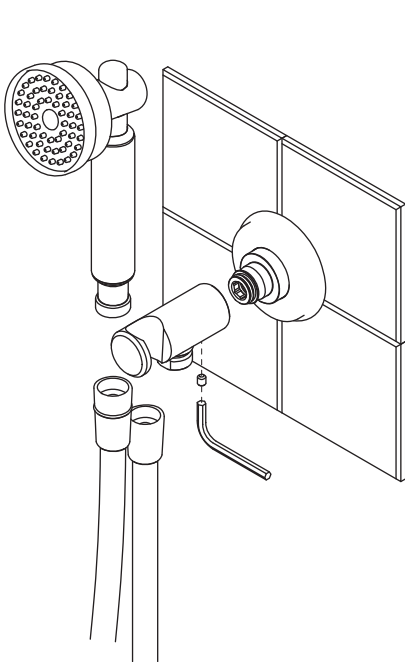
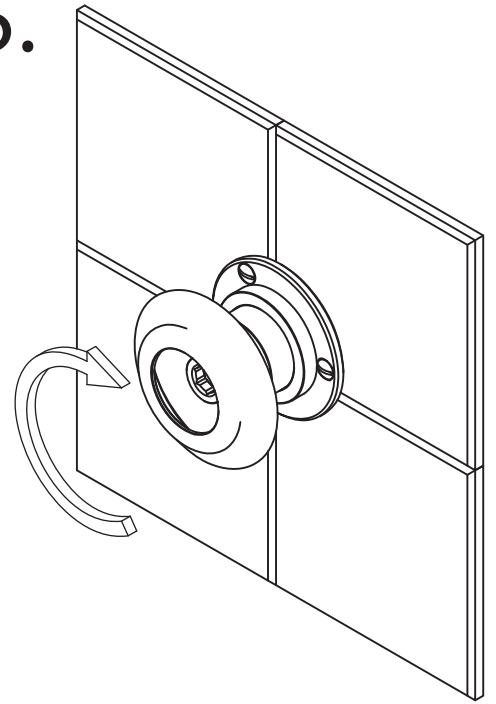


x3

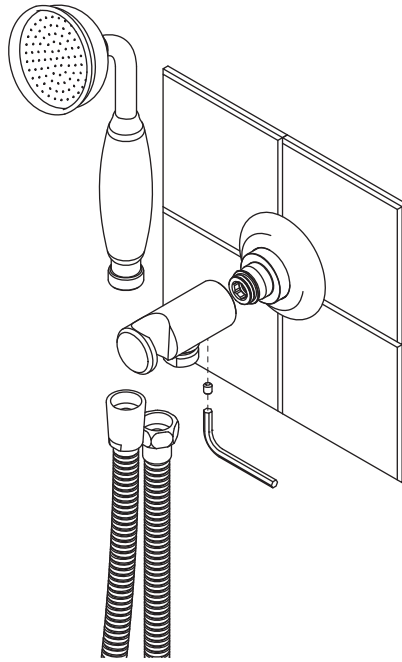
4.



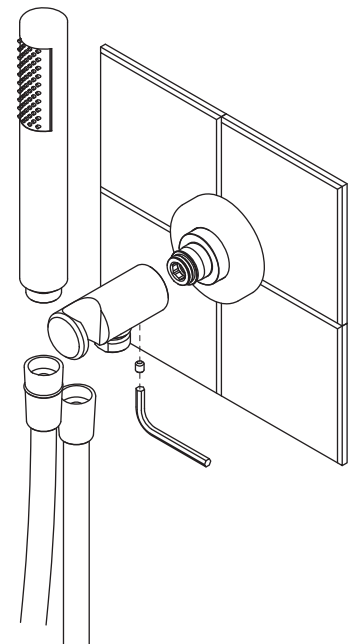
5.



Florin



Staffordshire



Tubo