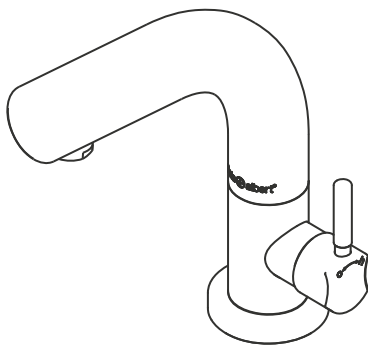
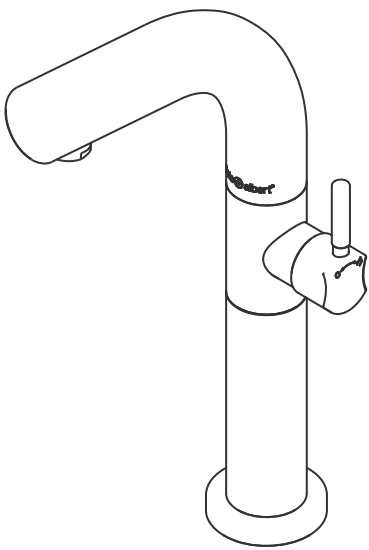
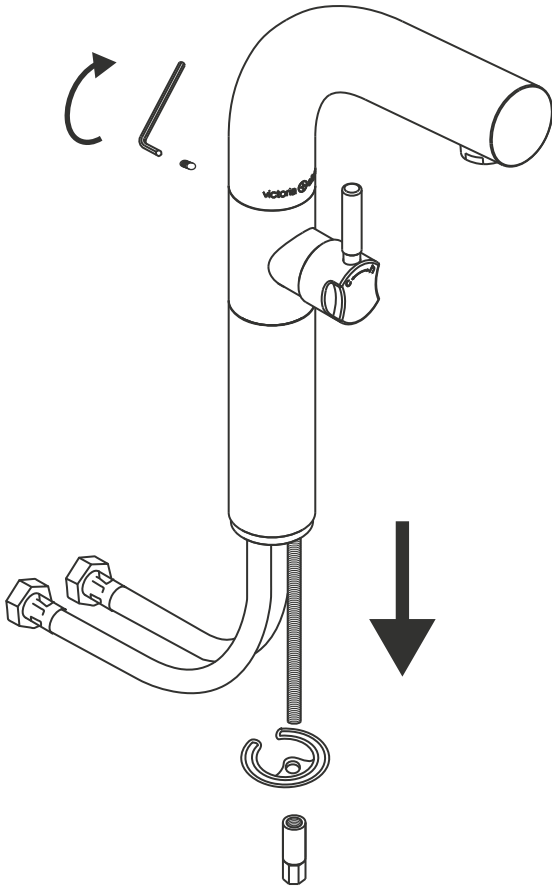


Tube TU16/19

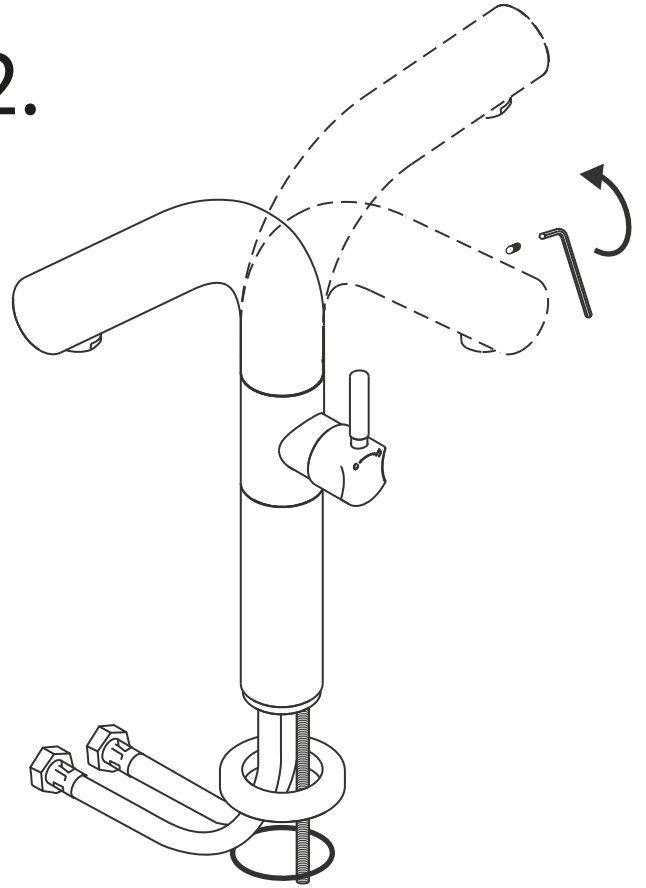


Fitting instructions
Notice d'installation
Instrucciones de montaje
Montageanleitung
Istruzioni di montaggio
Montagehandleiding
Instrukcja montażu
Указания по креплению

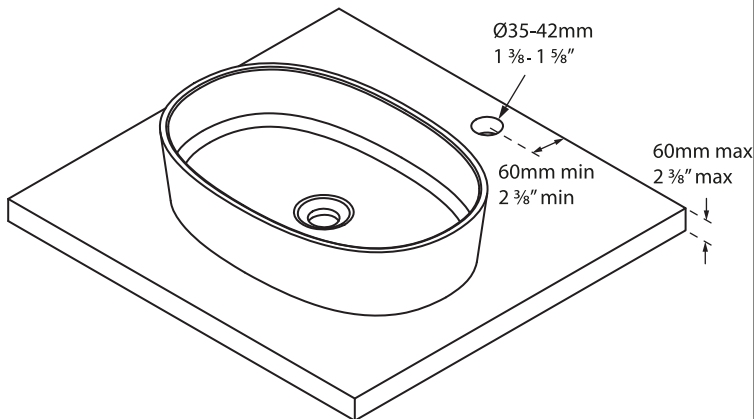
1.



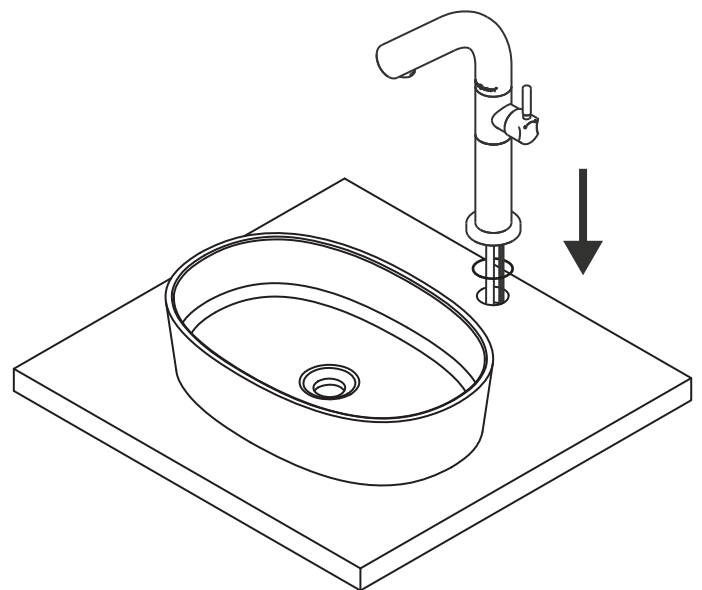
2.



3.



4.



5.

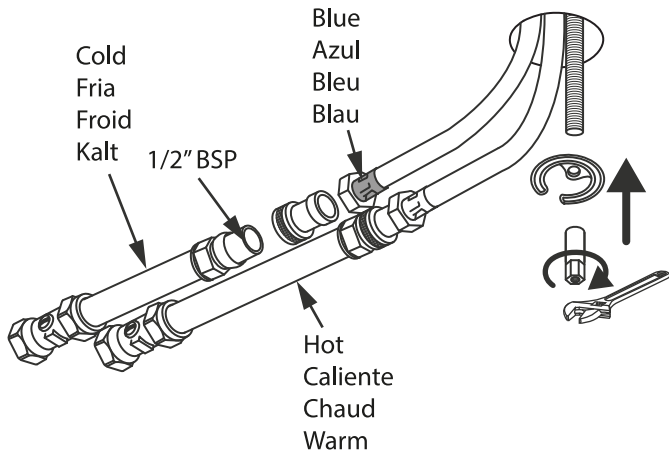


CHECK
COMPROBAR
VERIFER
ÜBERPRÜFEN

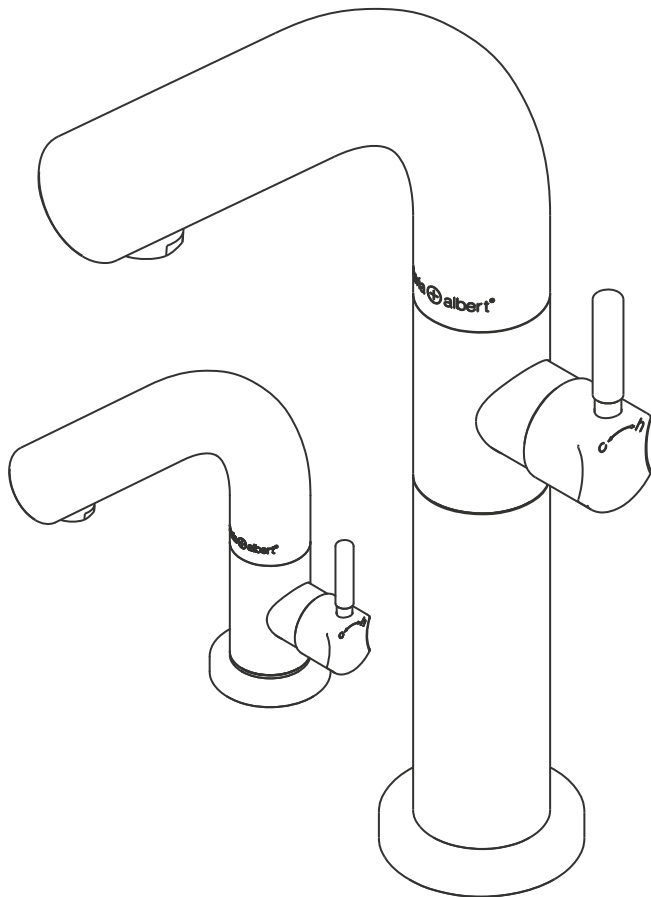
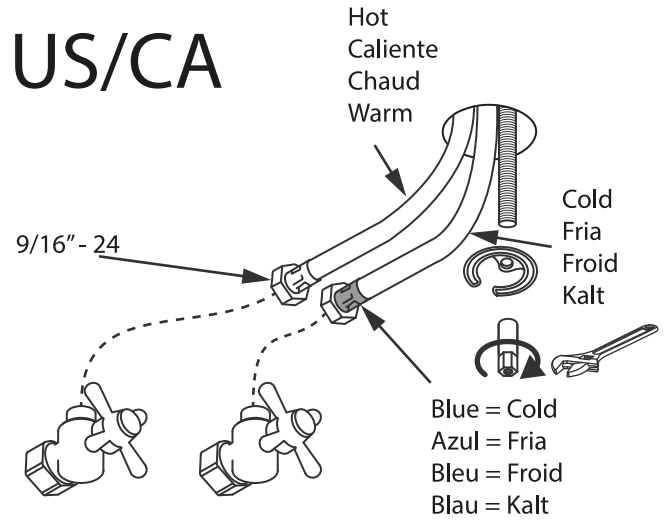


Clean Pipes
Limpiar Tuberias
Netoyer La Tuyaterie
Rohre Sauber Machen

UK/EU



US/CA



CHECK
COMPROBAR
VERIFER
ÜBERPRÜFEN

UK/EU



1 - 5 Bar

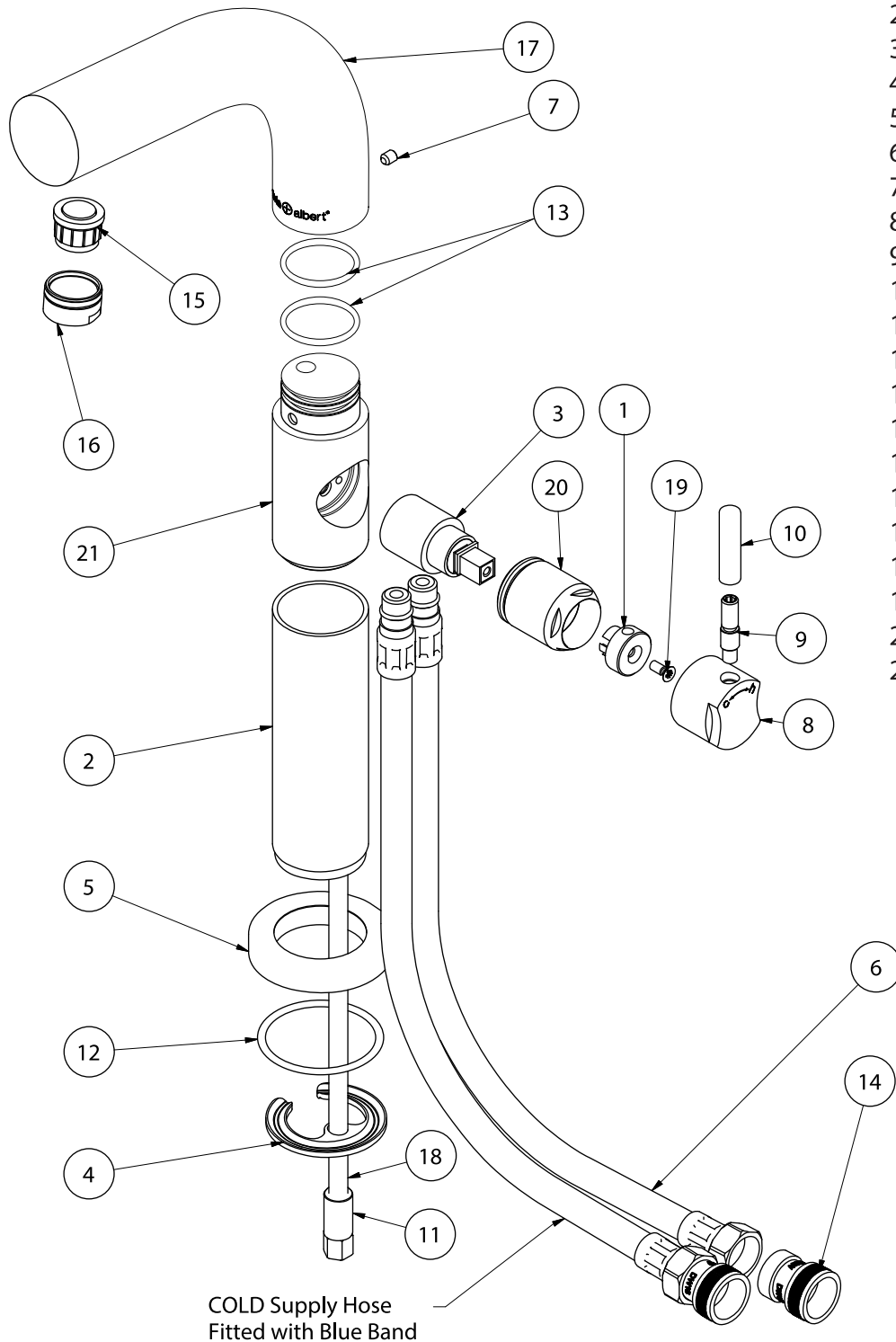
Max 14 L/min @ 3.0 Bar

US/CA



14.5 - 72.5 psi

Max 1.2 gpm @ 60 psi



1. Cartridge Adapter
2. Upstand
3. Cartridge
4. C Plate
5. Base Flange
6. Flexible Tails
7. Grub Screw
8. Handle
9. Handle Peg Lower
10. Handle Peg Upper
11. Back Nut
12. O Ring
13. Oring (x2)
14. Non Return Valve (x2) (EU Only)
15. Aerator
16. Aerator Housing
17. Spout
18. Threaded Bolt
19. Screw
20. Cartridge Shroud
21. Body

COLD Supply Hose
Fitted with Blue Band