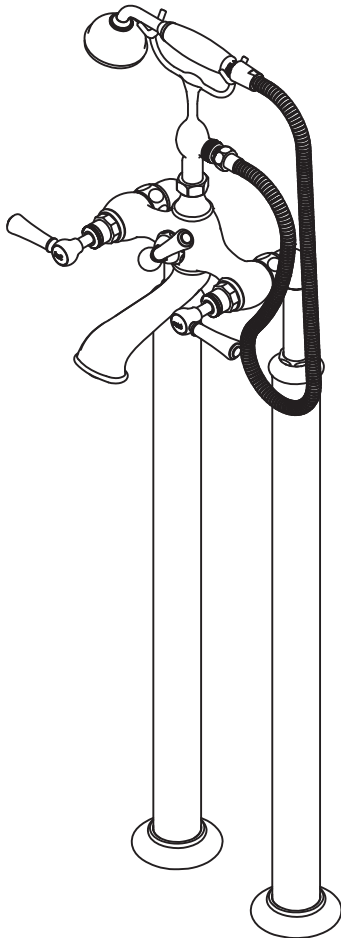
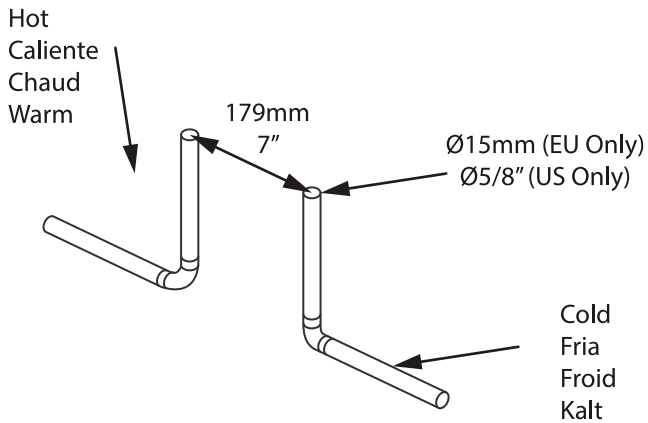


# Staffordshire 26



Fitting instructions  
Notice d'installation  
Instrucciones de montaje  
Montageanleitung  
Istruzioni di montaggio  
Montagehandleiding  
Instrukcja montażu  
Указания по креплению

1.

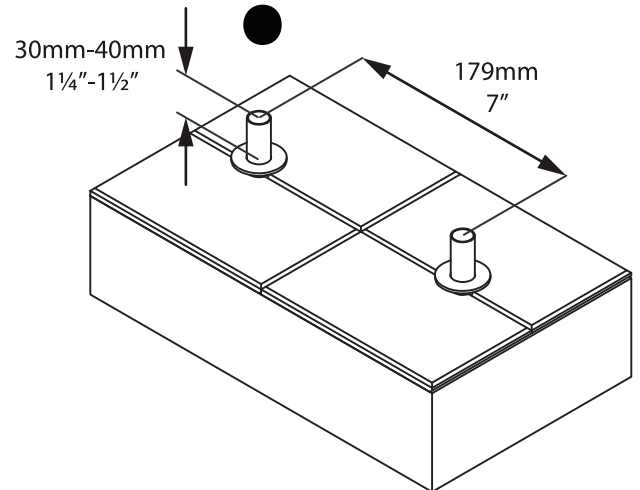


2.

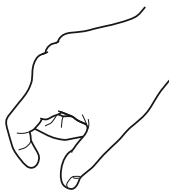


CHECK  
COMPROBAR  
VERIFER  
ÜBERPRÜFEN

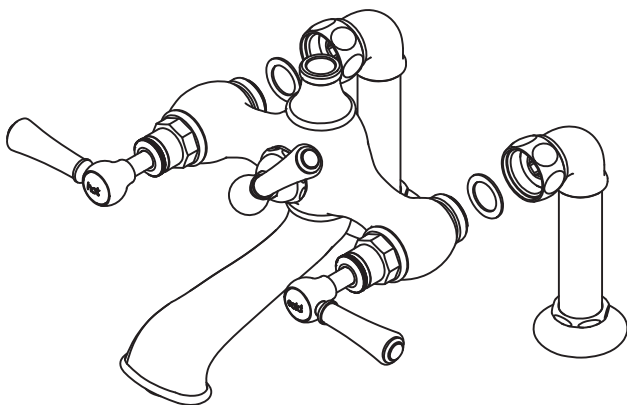
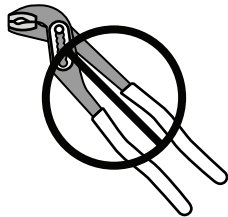
Clean Pipes  
Limpiar Tuberias  
Netoyer La Tuyaterie  
Rohre Sauber Machen



3.



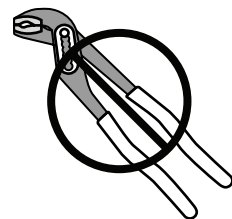
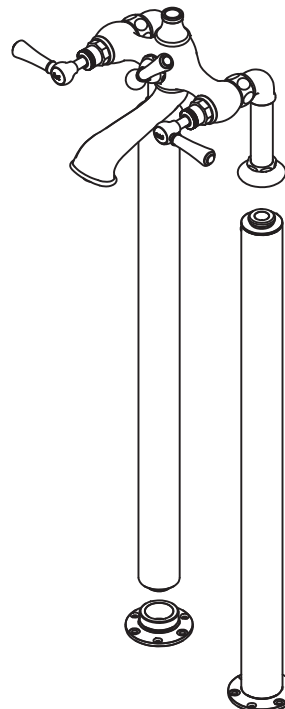
Handtigheten  
Apriete a mano  
Serrez à la main  
Handfest anziehen



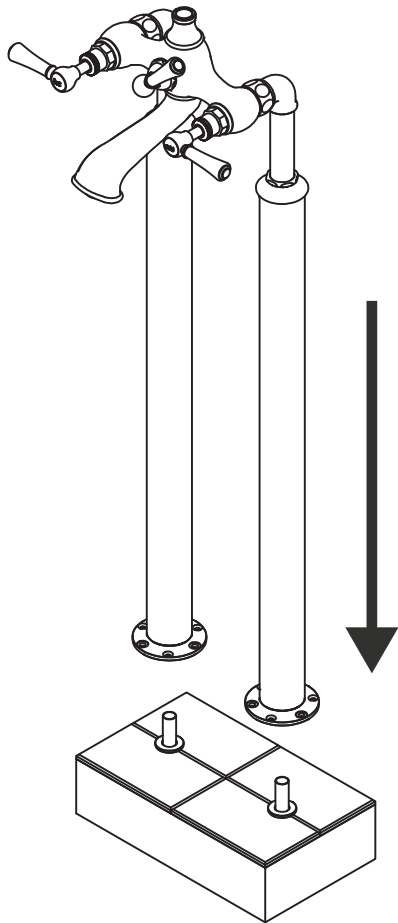
4.



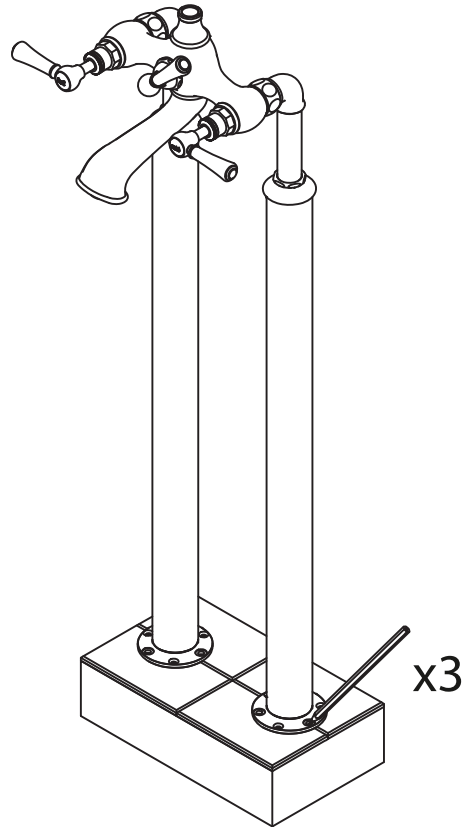
Handtigheten  
Apriete a mano  
Serrez à la main  
Handfest anziehen



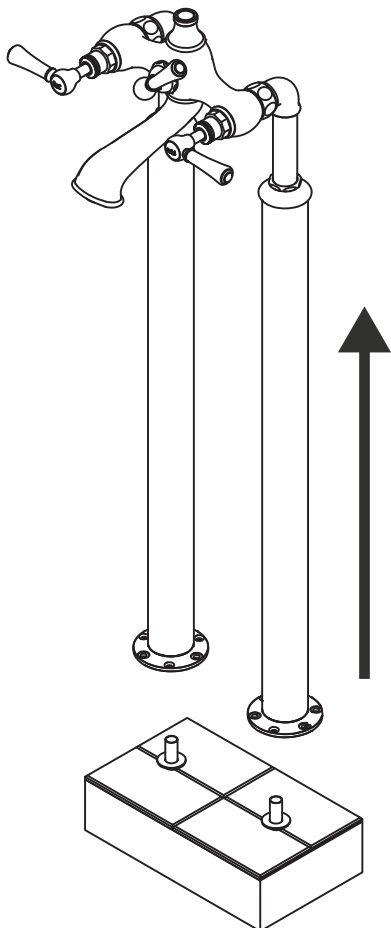
5.



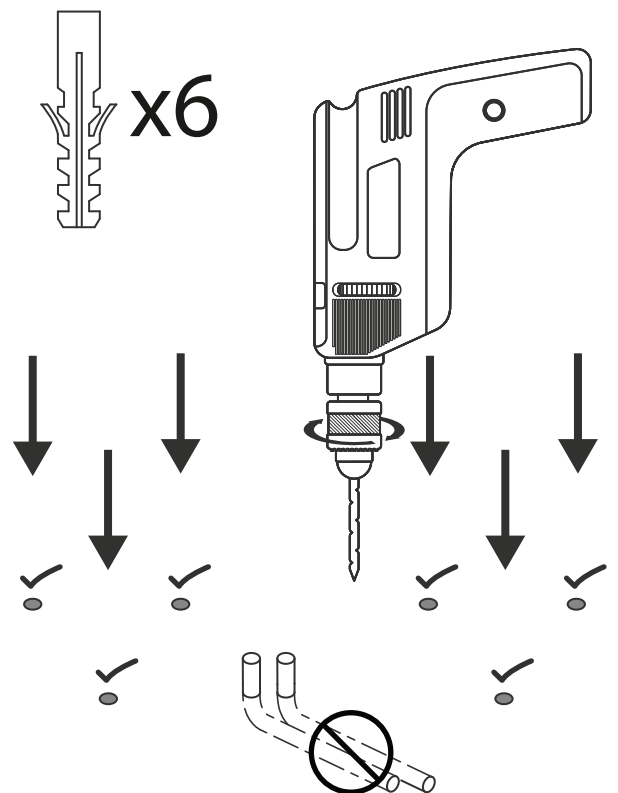
6.



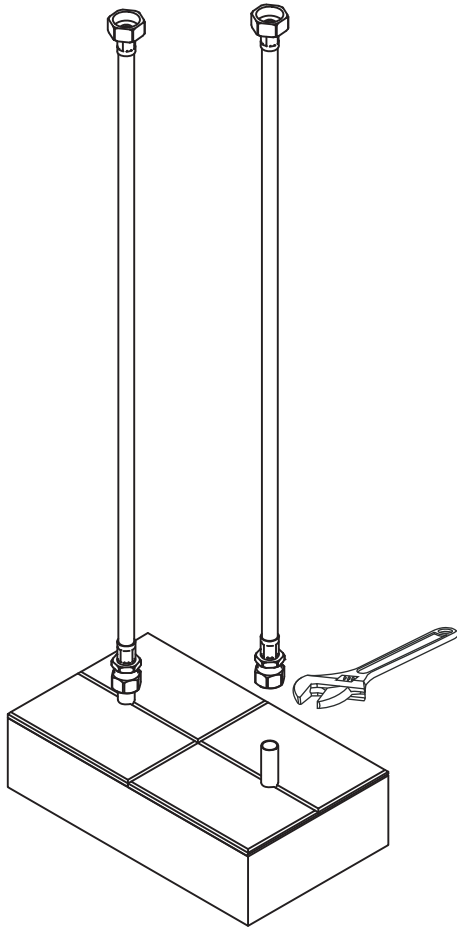
7.



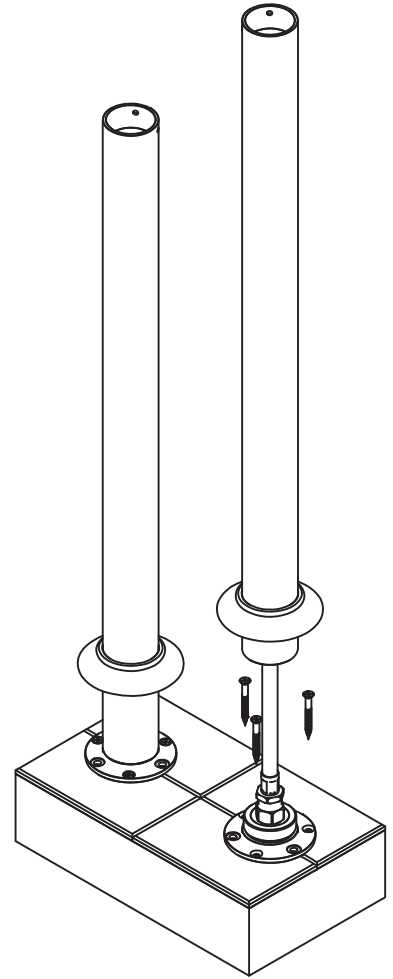
8.



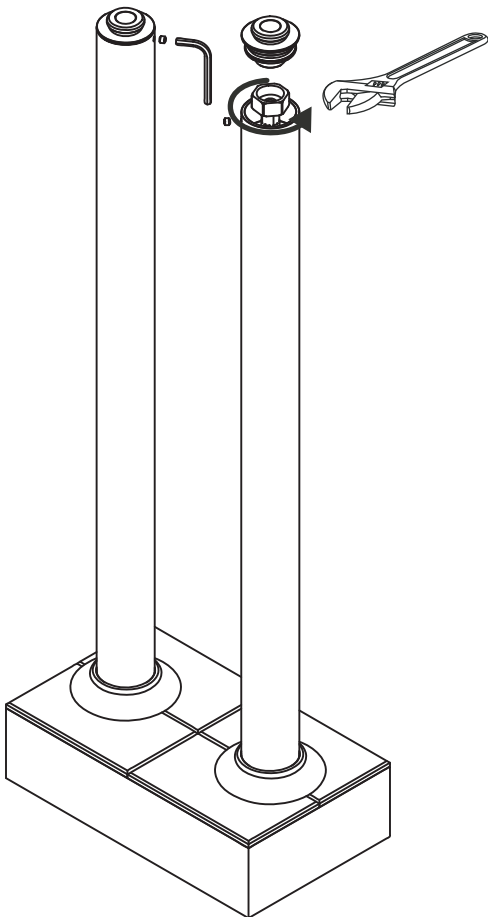
9.



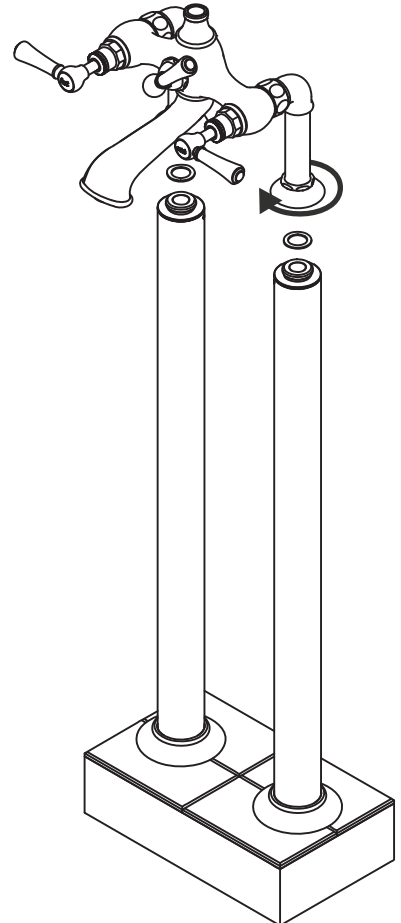
10.



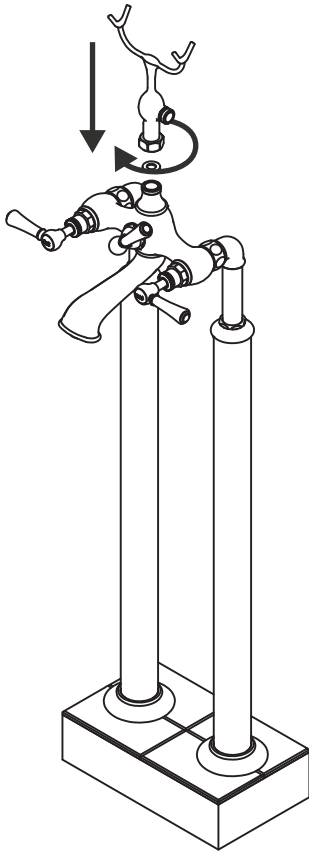
11.



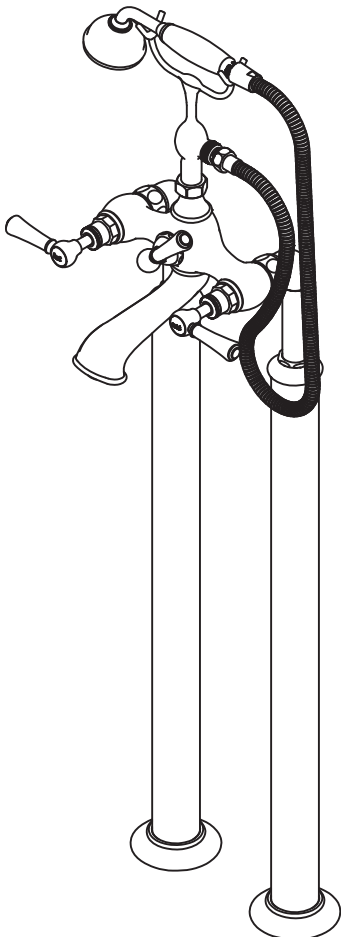
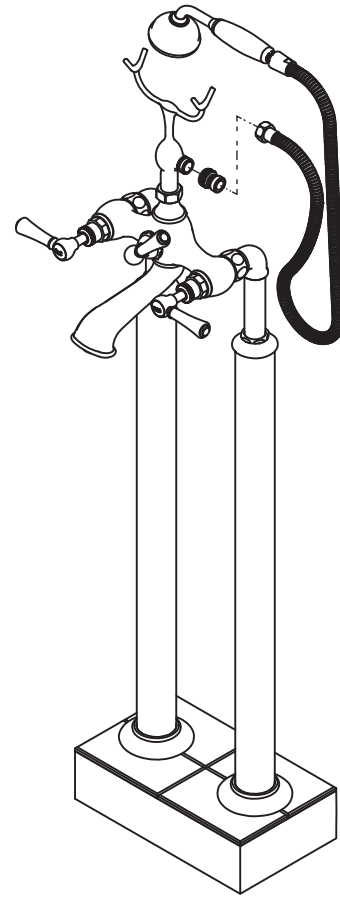
12.



13



14.



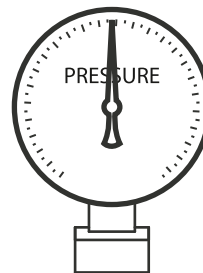
CHECK  
COMPROBAR  
VERIFER  
ÜBERPRÜFEN



UK/EU

1 - 5 Bar

Max 30L/min @ 3.0 Bar



US/CA

14.5 - 72.5 psi

Max 8 gpm @ 45 psi

Max 6.8 L/min (1.8 gpm)

ASSE 1070 unit must be installed  
at HOT SIDE INLET (not included)

Max temp outlet 120°F



- |                       |                    |                      |                       |
|-----------------------|--------------------|----------------------|-----------------------|
| 1. Aerator            | 11. O ring         | 21. Diverter Handle  | 31. Floor Leg Adapter |
| 2. 1/4 Turn Cartridge | 12. O ring         | 22. O ring           | 32. Screw (x2)        |
| 3. Diverter Valve     | 13. Spout Retainer | 23. Valve seat       | 33. Flexible Tail     |
| 4. O ring             | 14. O ring         | 24. Deck legs (x2)   | 34. Floor Tube        |
| 5. Diverter Cover     | 15. O ring         | 25. Non Return Valve | 35. O ring            |
| 6. Diverter Shuttle   | 16. Cap            | 26. Cradle           | 36. Flange Cover      |
| 7. Screw              | 17. Spout          | 27. Handset          | 37. Screw (x3)        |
| 8. Cold Handle        | 18. O ring         | 28. Hose             | 38. Flange            |
| 9. Hot Handle         | 19. O ring         | 29. Washer           |                       |
| 10. Cap               | 20. O ring         | 30. Leg Adaptor      |                       |

