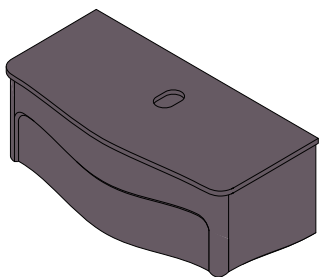
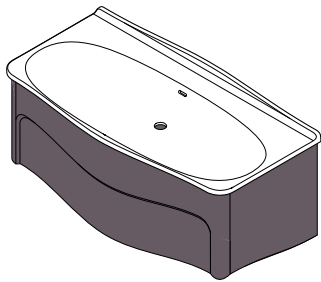
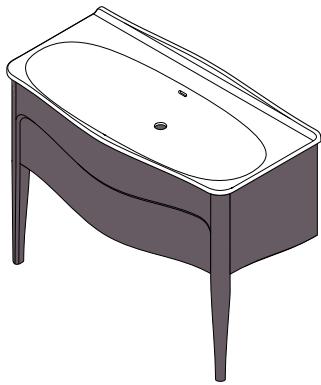


# Mandello

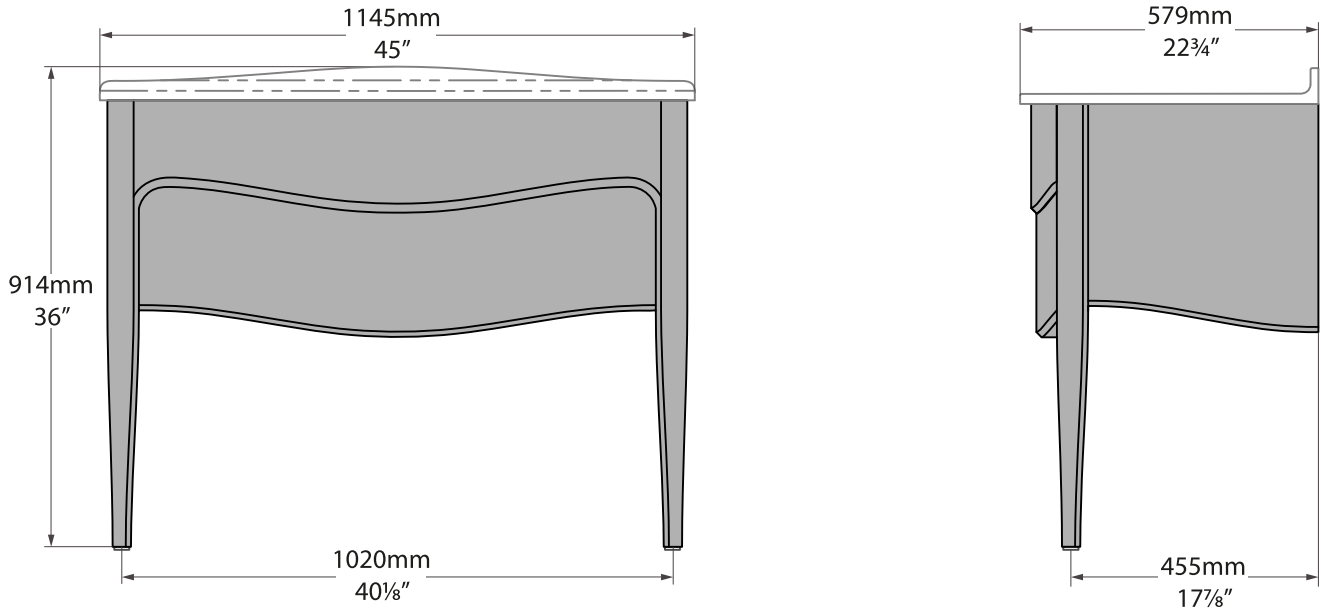


Fitting instructions  
Notice d'installation  
Instrucciones de montaje  
Montageanleitung  
Istruzioni di montaggio  
Montagehandleiding  
Instrukcja montażu  
Указания по креплению

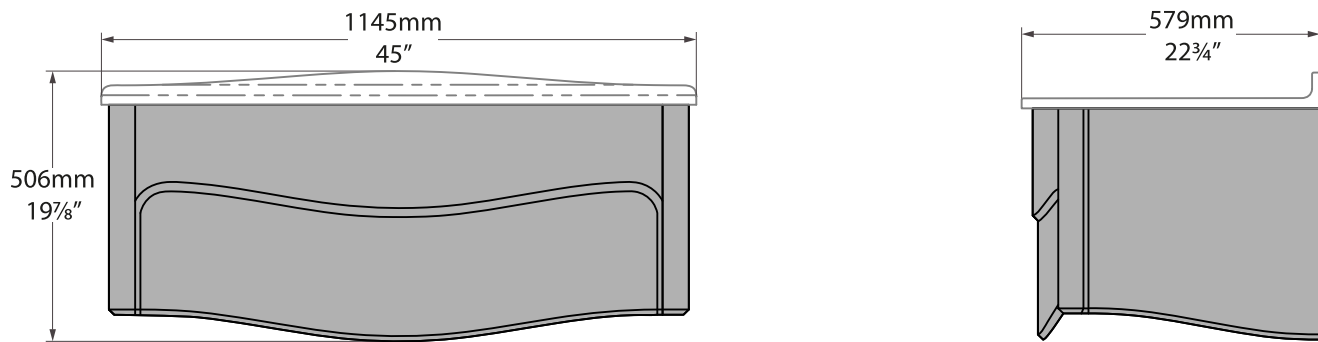


rich in  
volcanic  
limestone

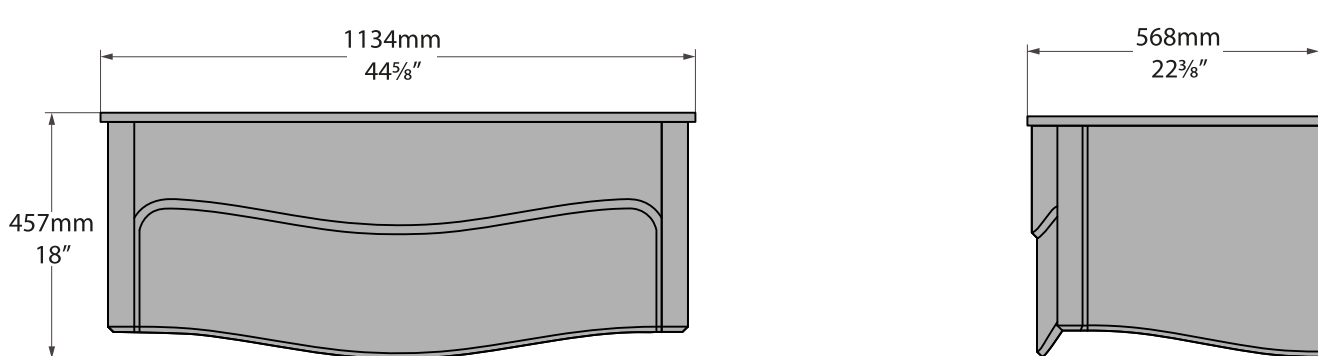
MAN-N-1114--\*\*-IO/MAN-3TH-100--\*\*-IO



MANV-N-114--\*\*-IO/MANV-3TH-114--\*\*-IO

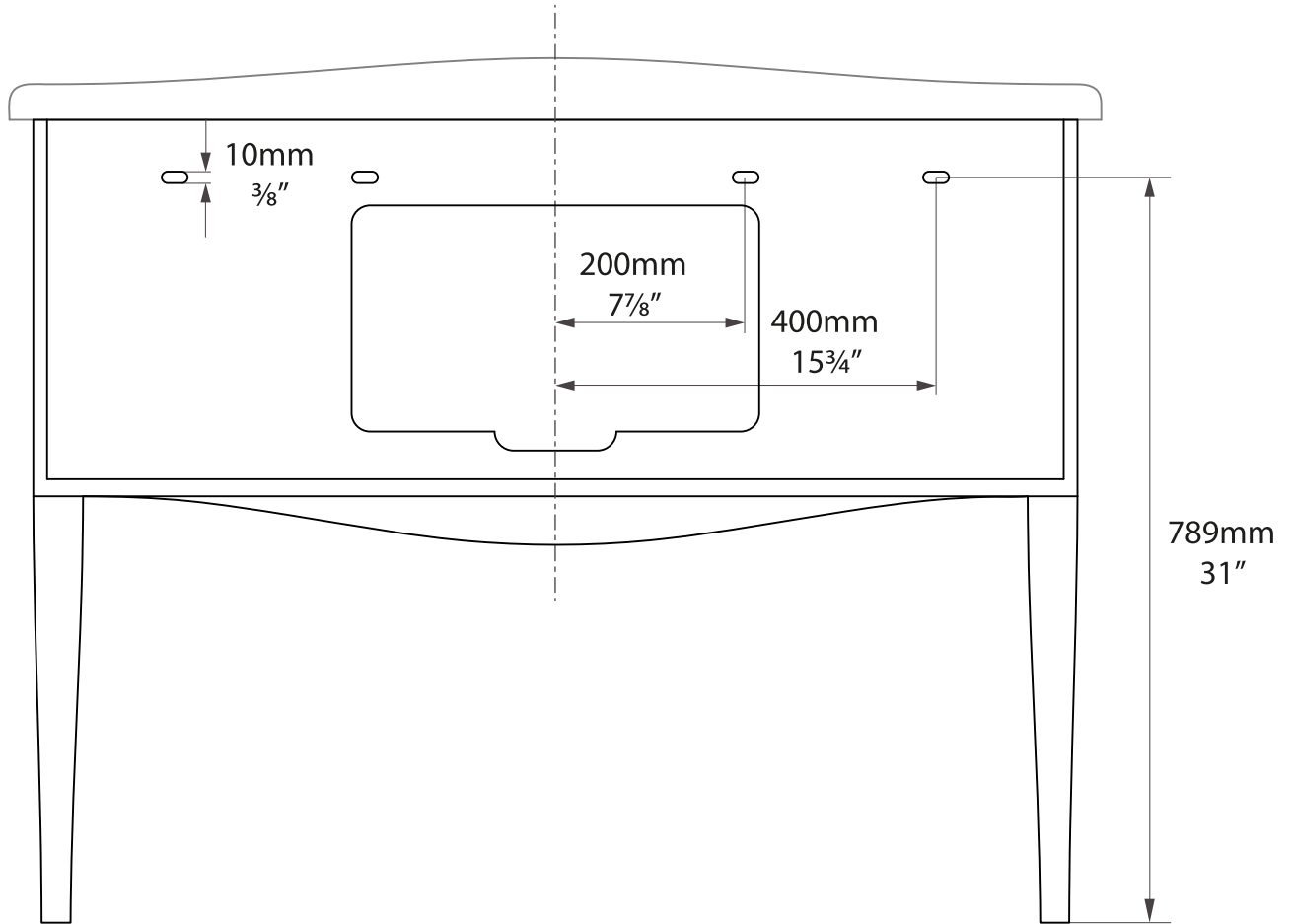


MANVG-N-114--\*\*/MANVG-1TH-114--\*\*



\*All measurements subject to +/- 5% tolerance

MAN-N-1114-\*\*-IO/MAN-3TH-100-\*\*-IO  
MANV-N-114-\*\*-IO/MANV-3TH-114-\*\*-IO  
MANVG-N-114-\*\*-IO/MANVG-1TH-114-\*\*-IO

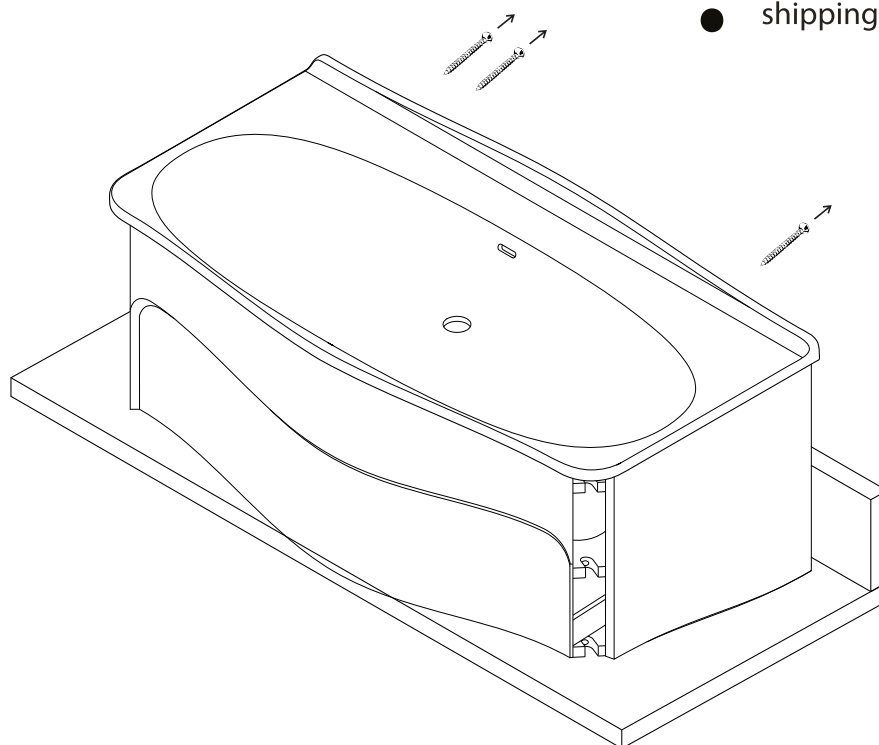


- ! Check wall is sufficient to take weight and use the appropriate fixings (not supplied). Wall may need to be reinforced
- Victoria and Albert Baths recommend coach screws where possible when wall hung

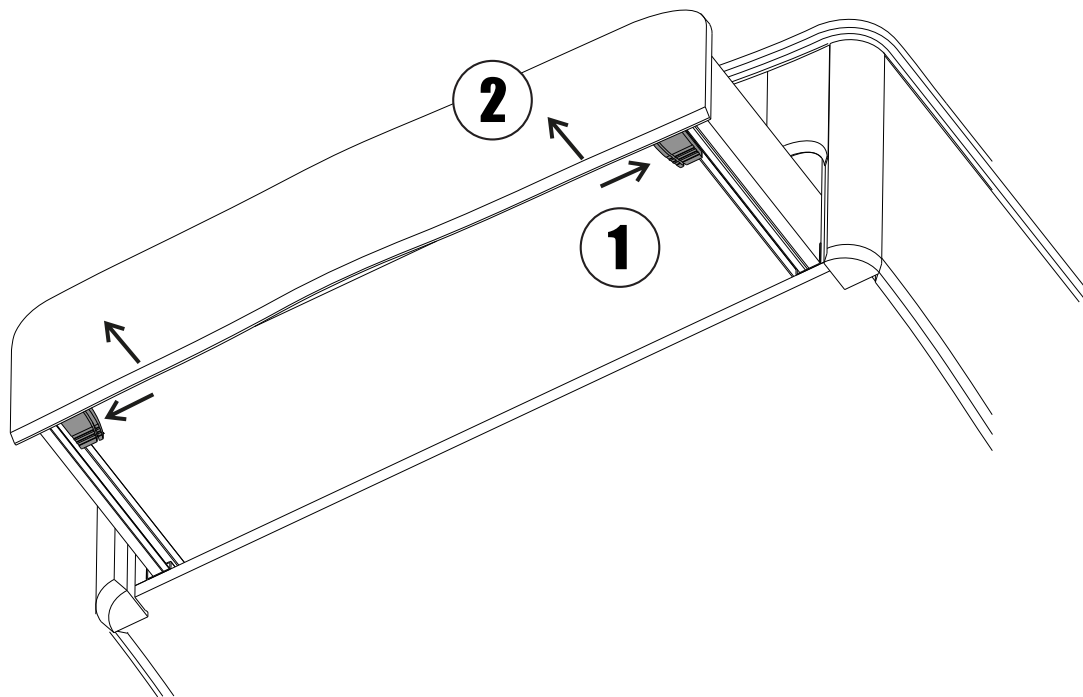


1.

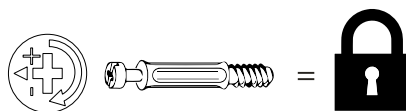
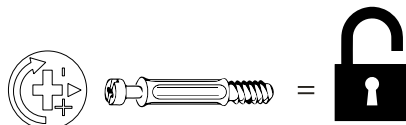
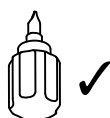
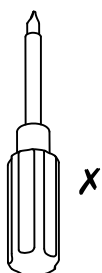
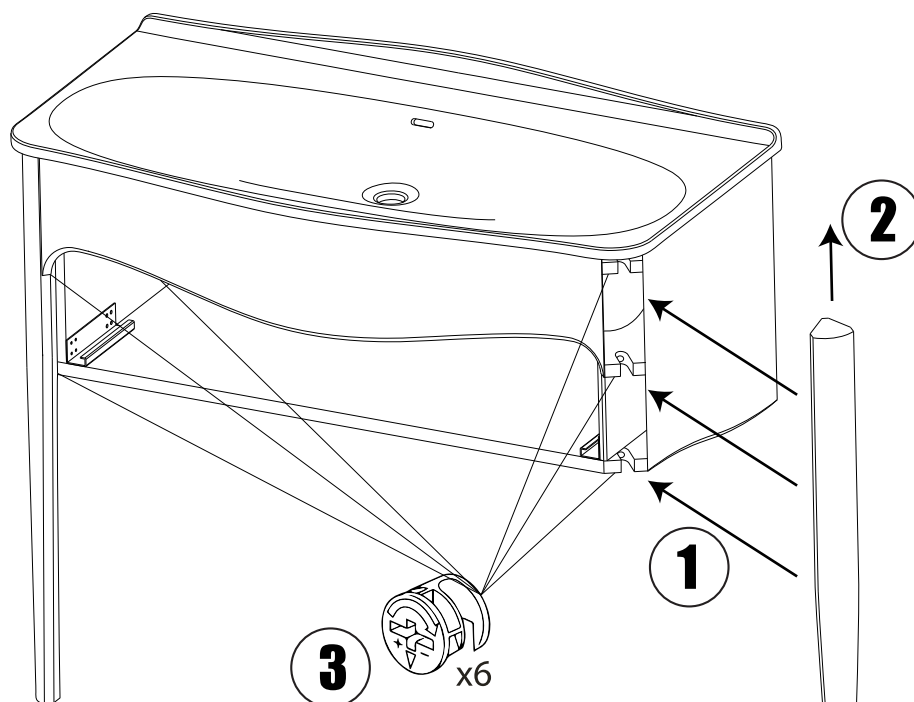
- ! Remove x3 security screws to unlock drawer and release shipping frame
- 



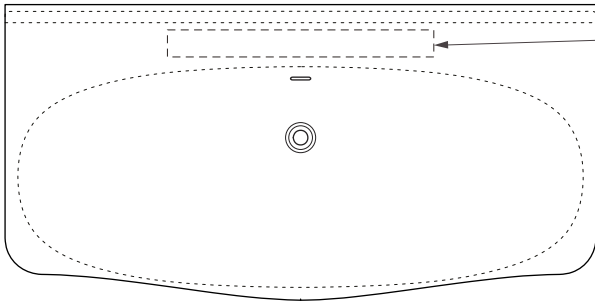
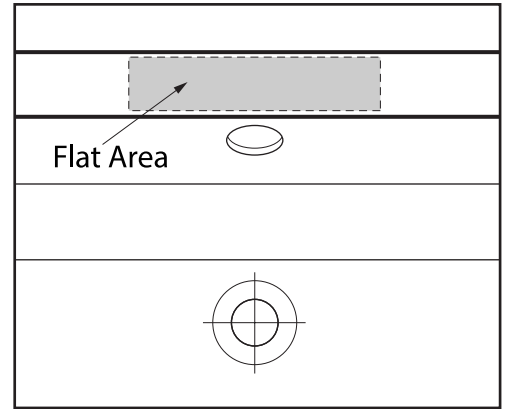
2.



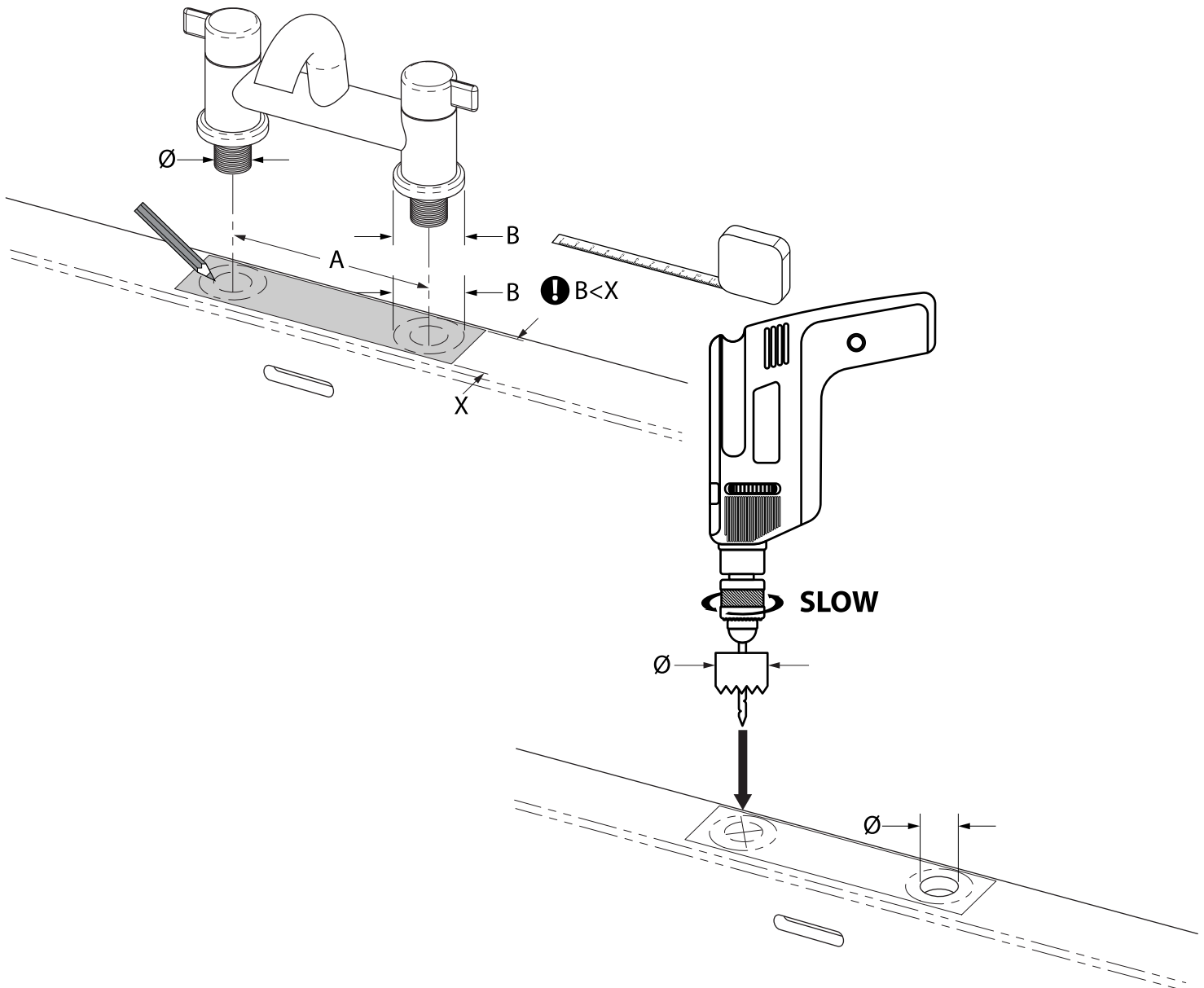
3.



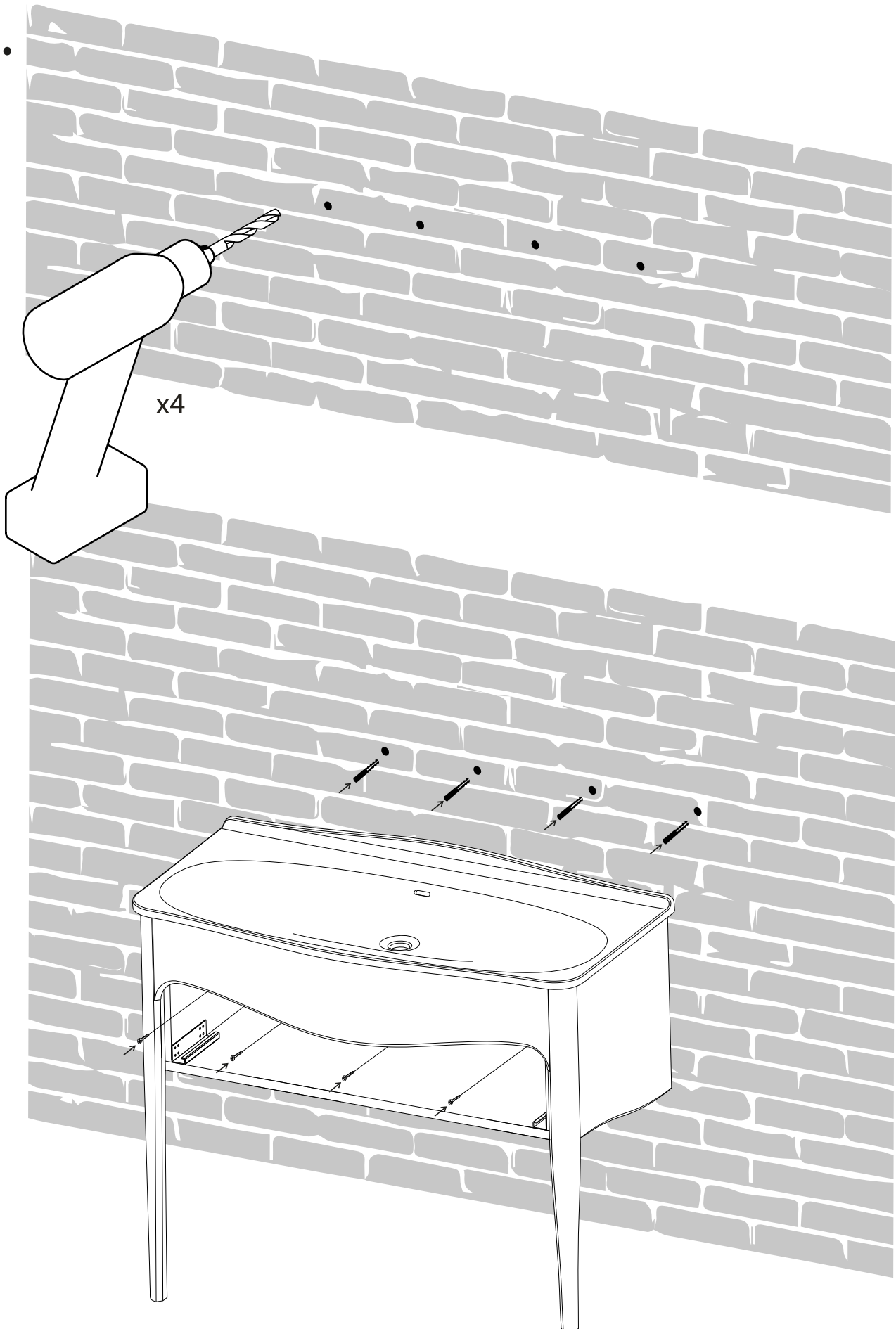
<b>!</b>	MAN-N-114-**-IO	✓
	MAN-3TH-114-**-IO	X
	MANV-N-114-**-IO	✓
	MANV-3TH-114-**-IO	X
	MANVG-N-114-**-IO	X
	MANVG-3TH-114-**-IO	X



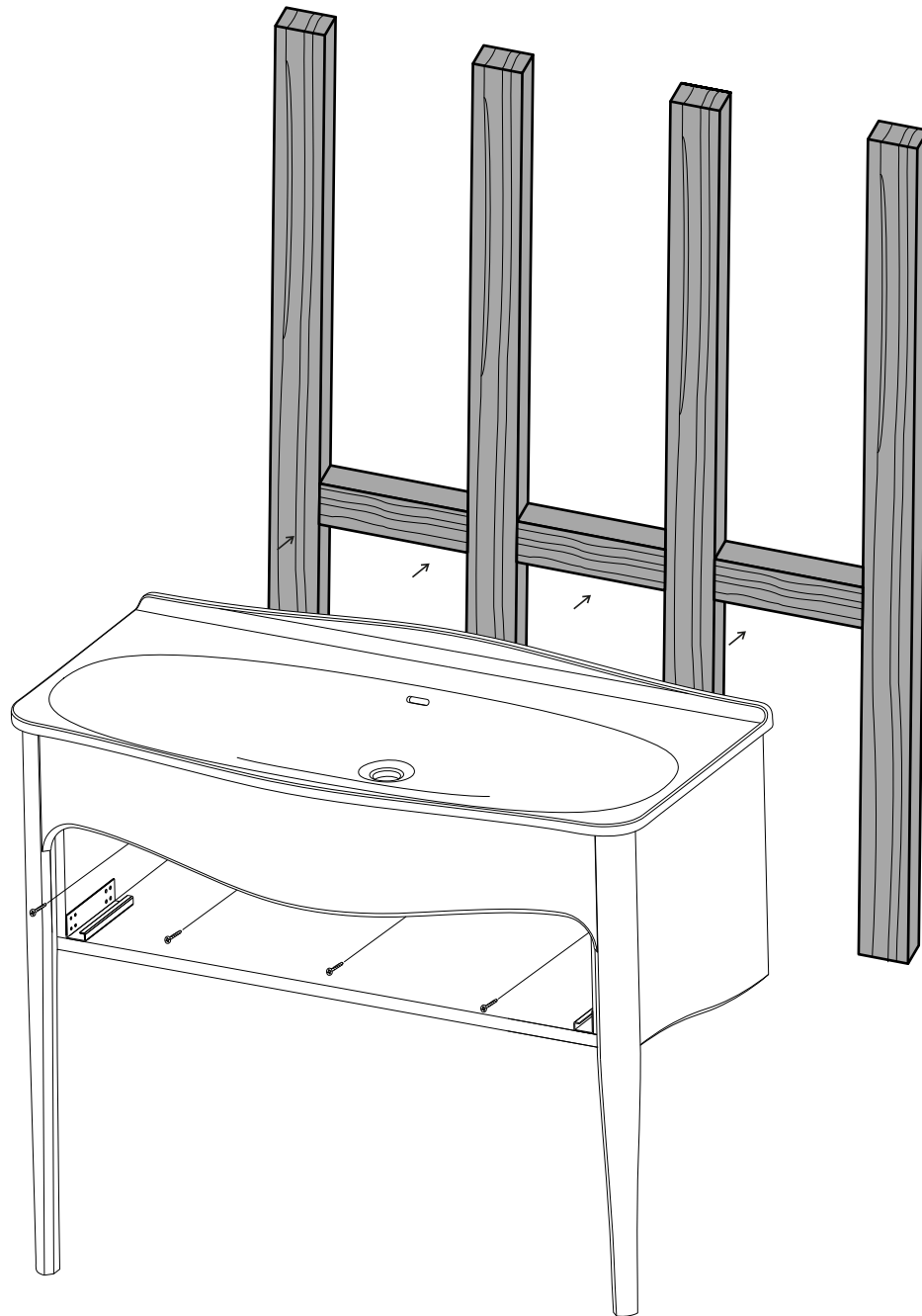
400 x 60mm  
15 7/8" x 2 3/8"



4a.



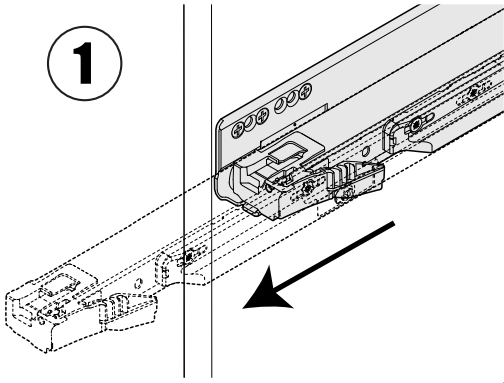
4b.



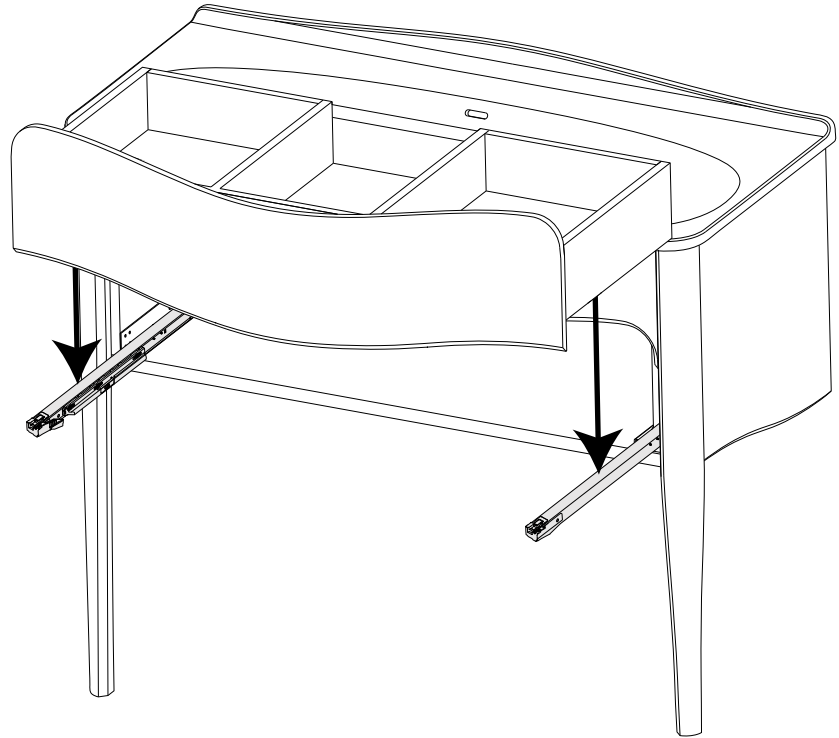


5.

1



2



3

