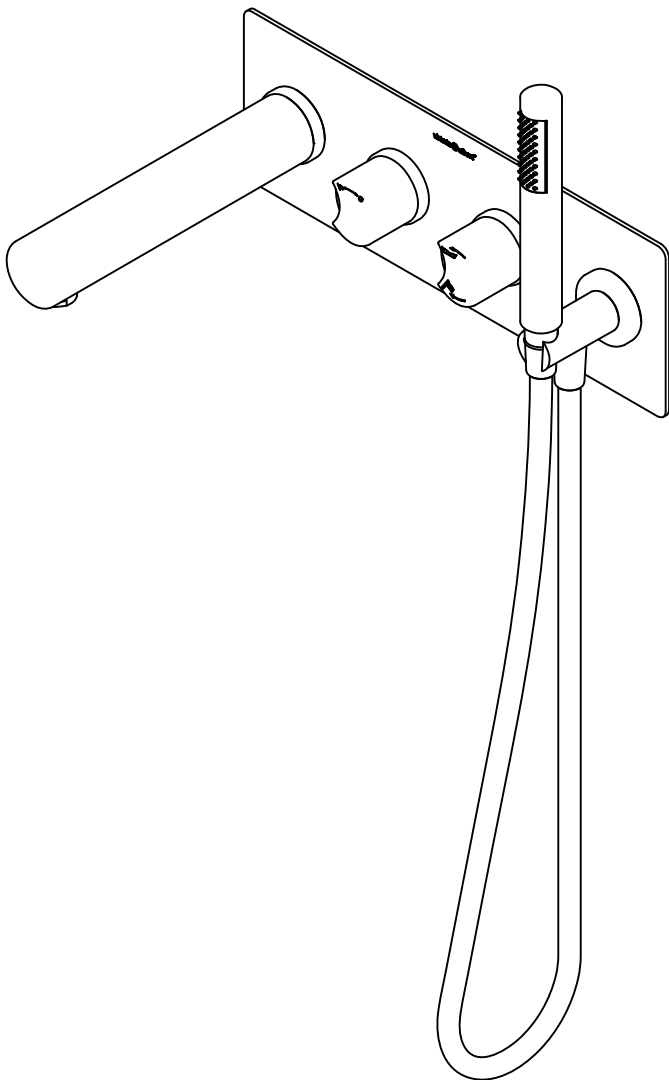
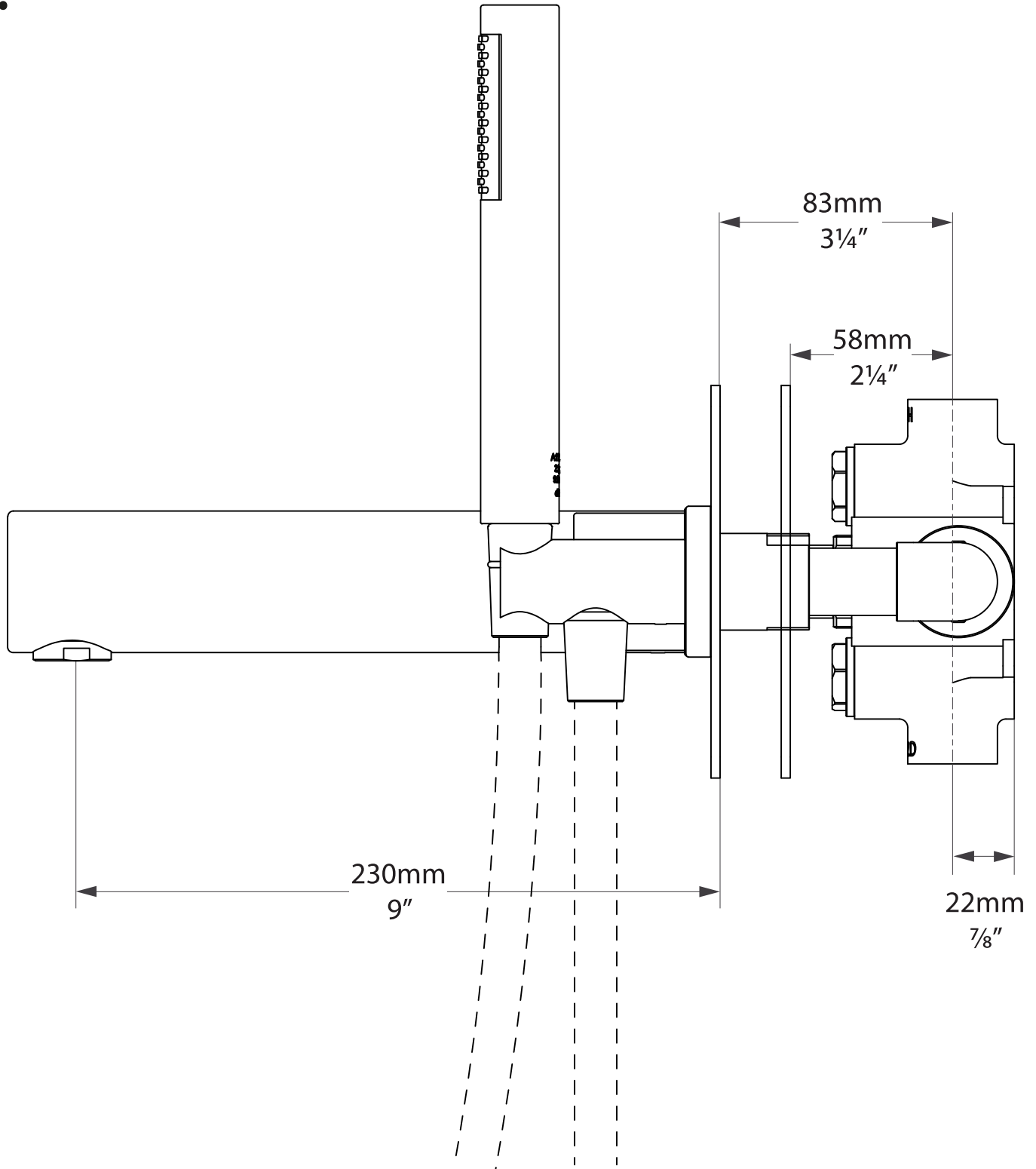


Tube TU21

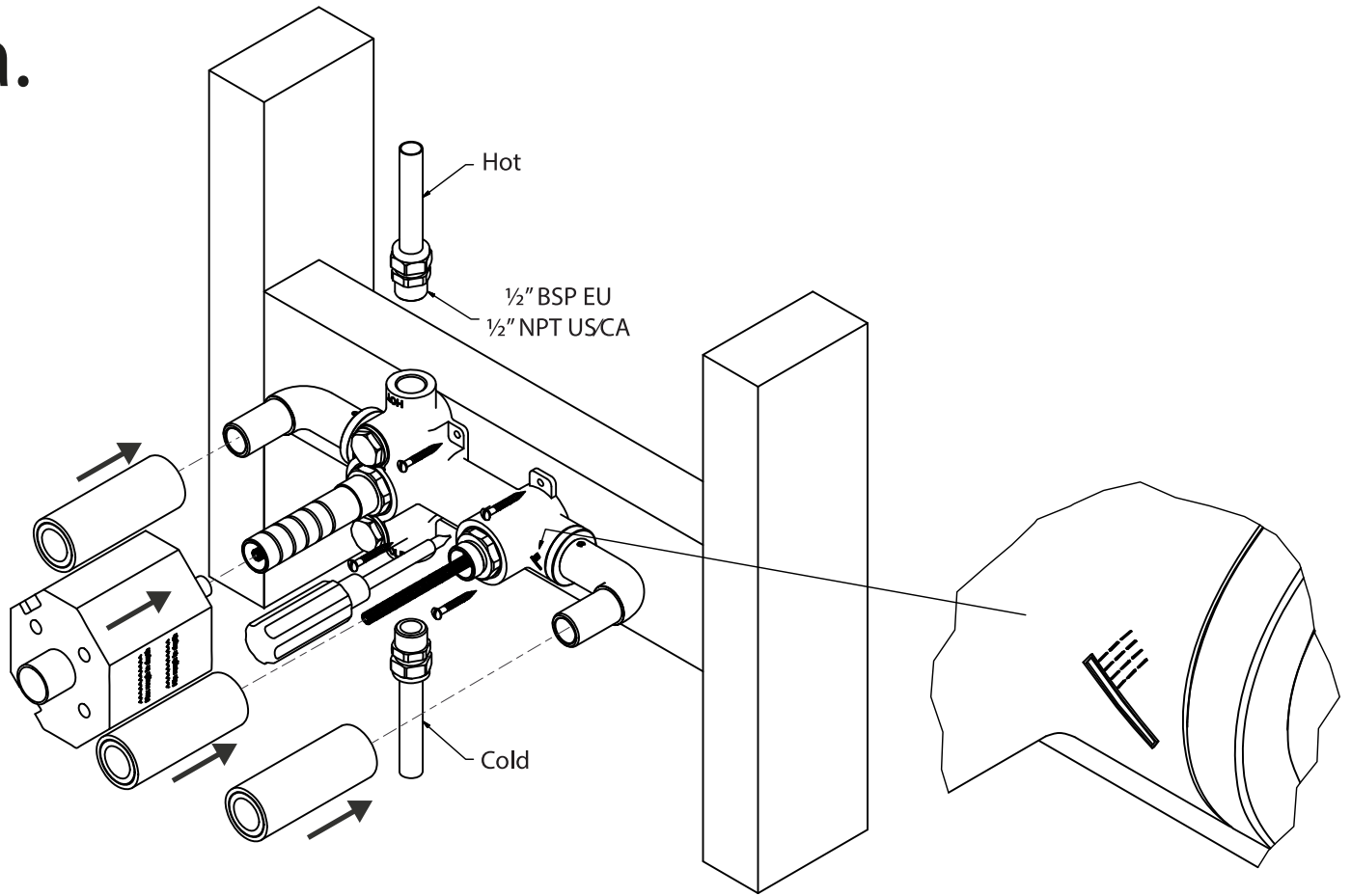


Fitting instructions
Notice d'installation
Instrucciones de montaje
Montageanleitung
Istruzioni di montaggio
Montagehandleiding
Instrukcja montażu
Указания по креплению

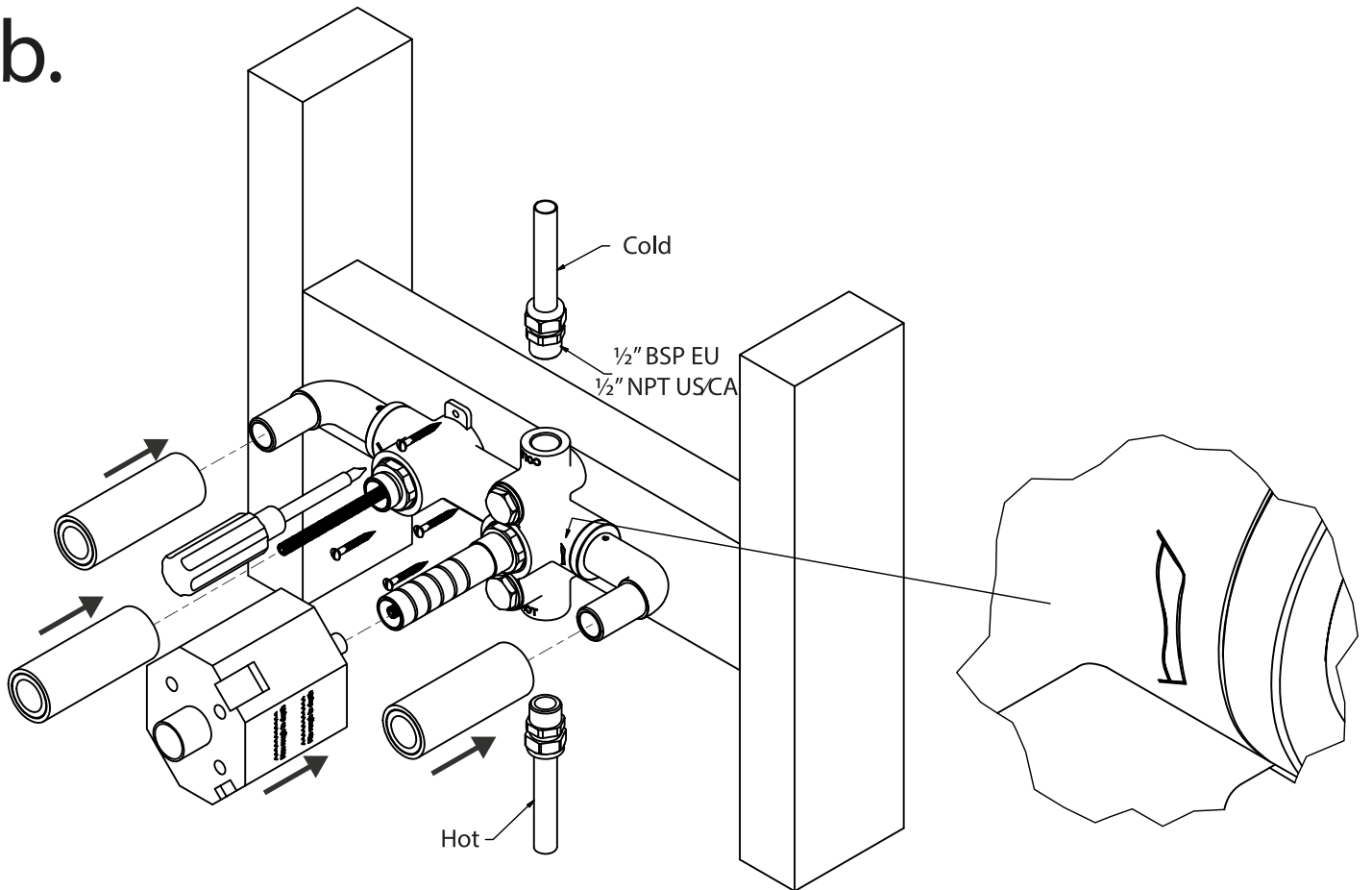
1.



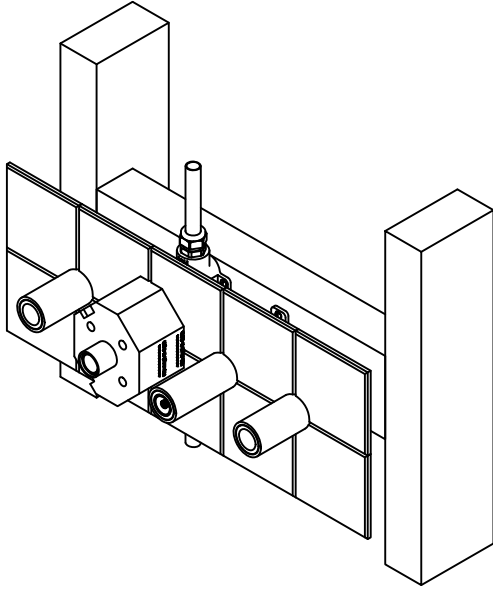
1a.



1b.

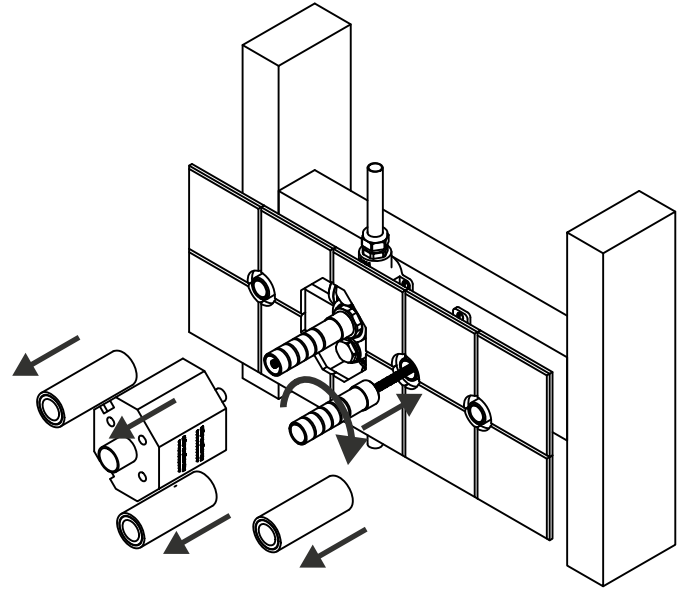


2.



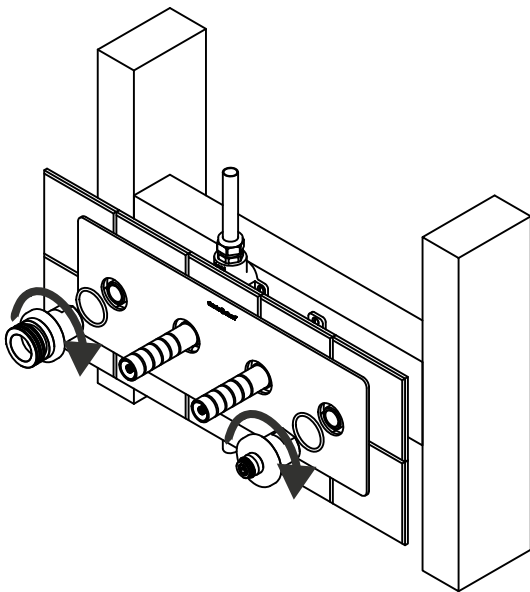
(Option 'A' shown)

3.



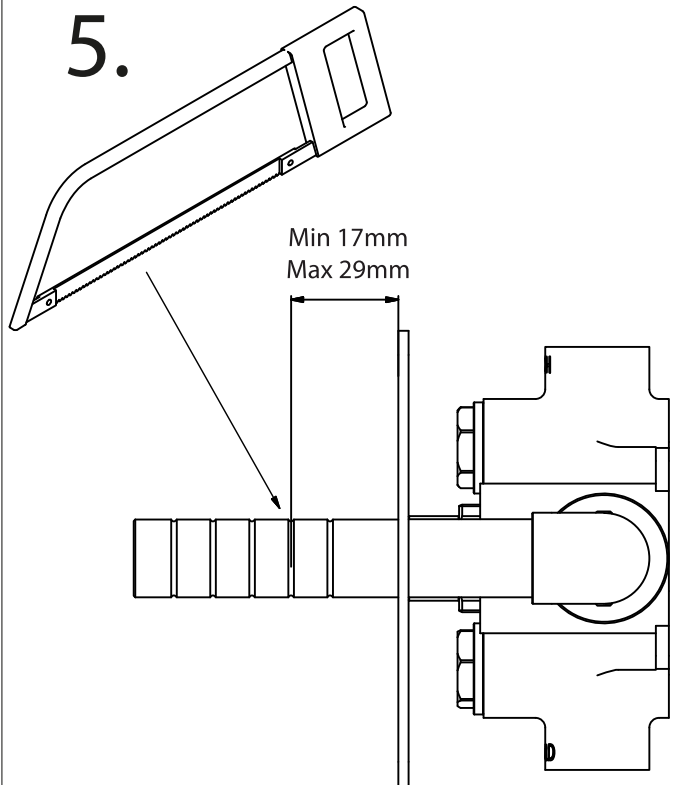
(Option 'A' shown)

4.



(Option 'A' shown)

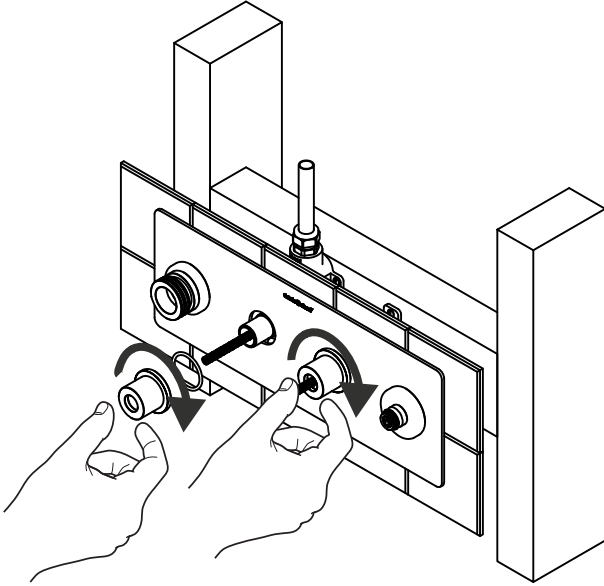
5.



6.

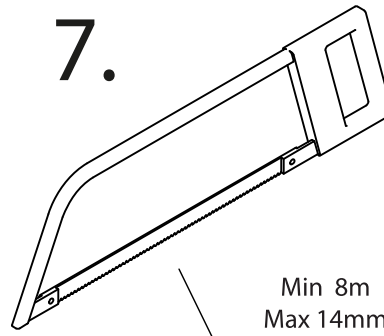


Handtighten
Apriete a mano
Serrez à la main
Handfest anziehen

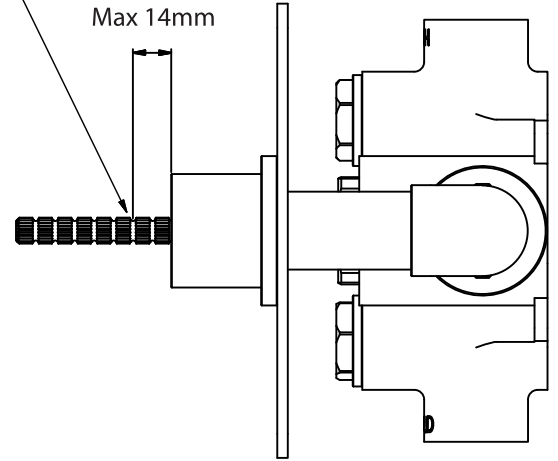


(Option 'A' shown)

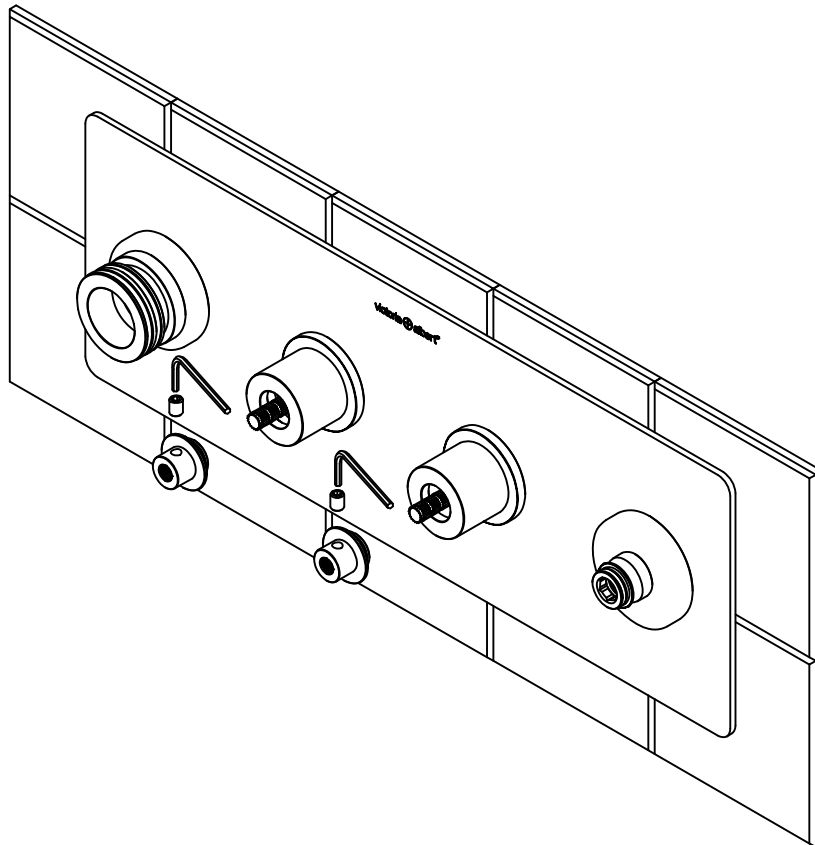
7.



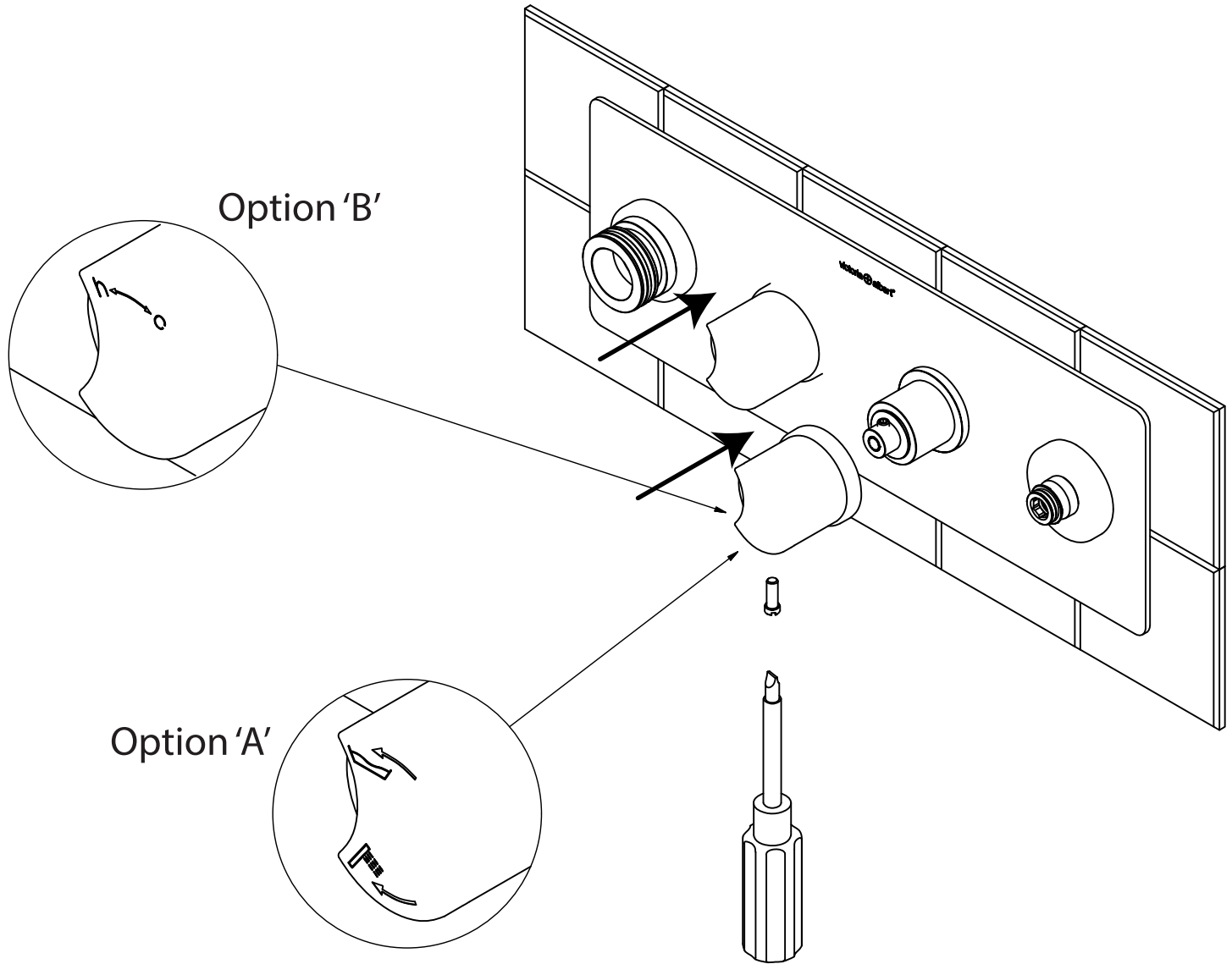
Min 8m
Max 14mm



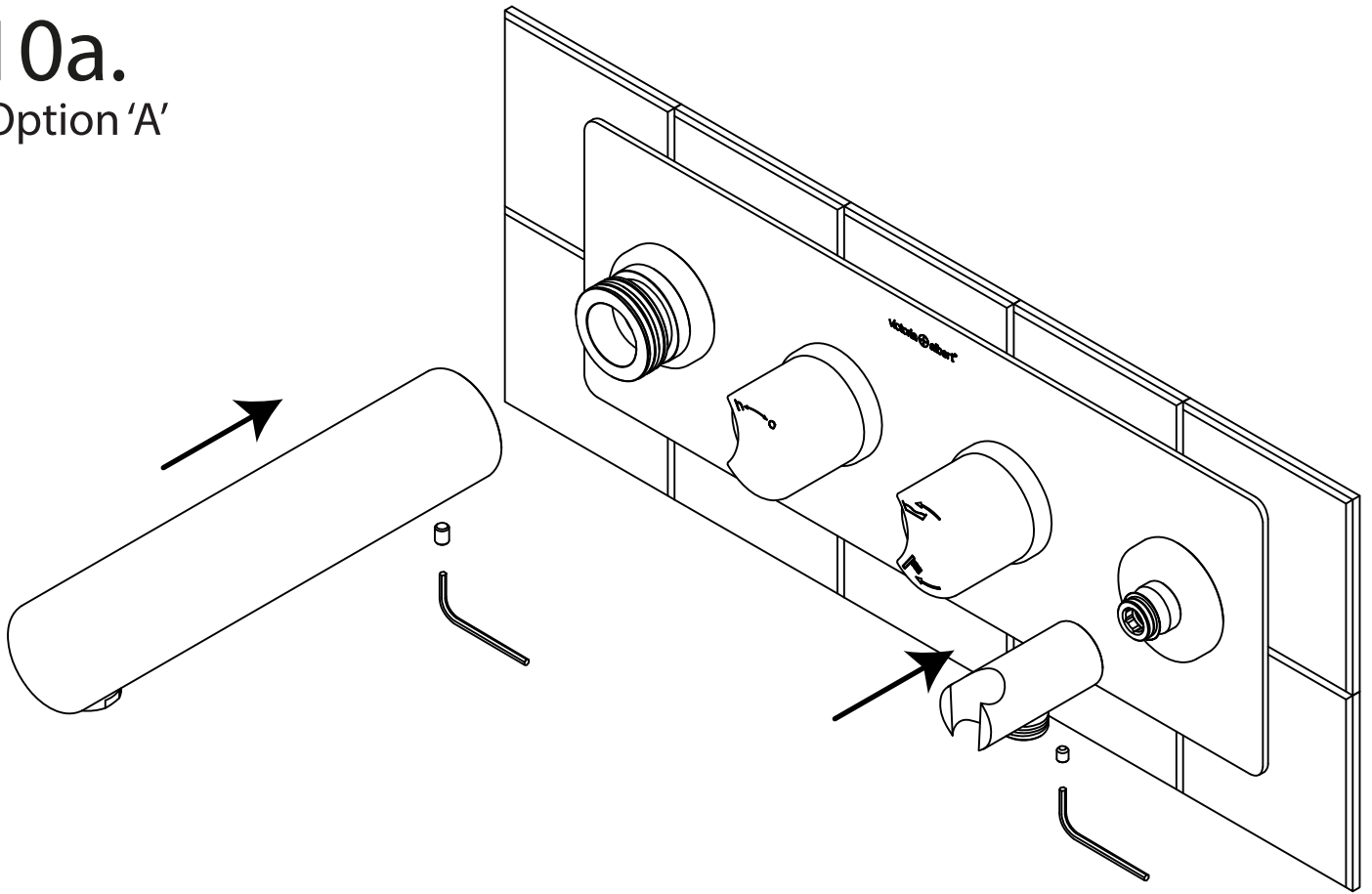
8.



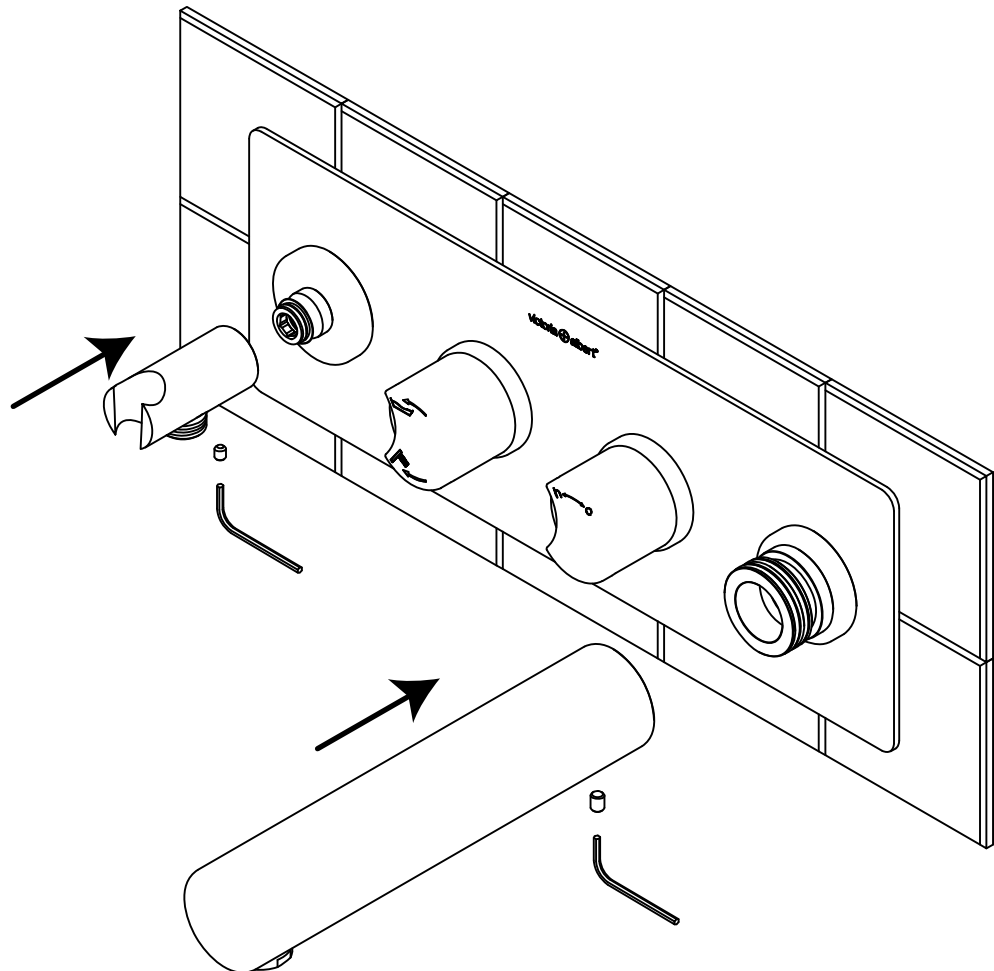
9.



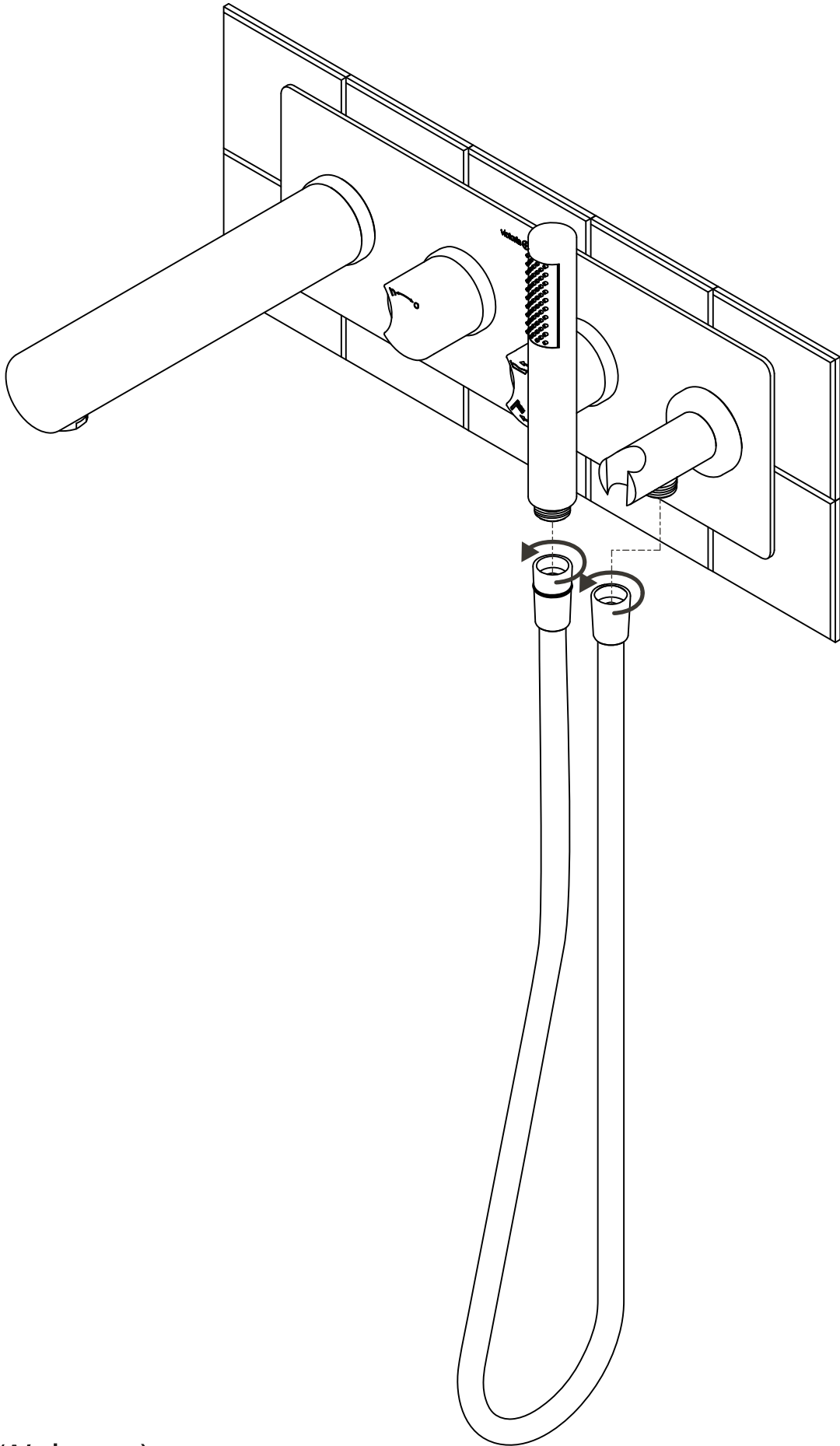
10a.
Option 'A'



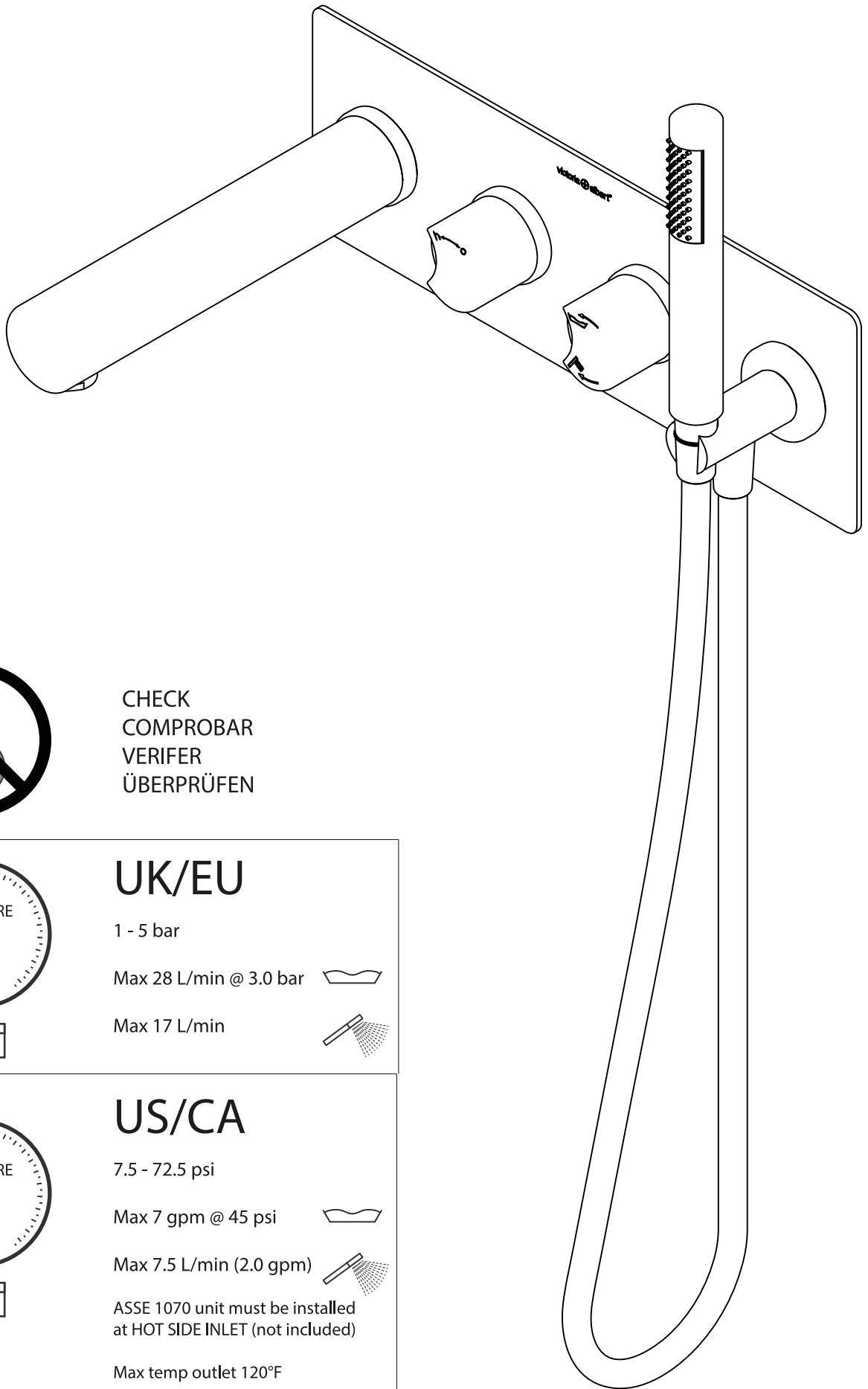
10b.
Option 'B'



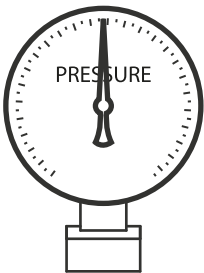
11.



(Option 'A' shown)



CHECK
COMPROBAR
VERIFER
ÜBERPRÜFEN



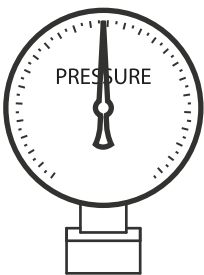
UK/EU

1 - 5 bar

Max 28 L/min @ 3.0 bar



Max 17 L/min



US/CA

7.5 - 72.5 psi

Max 7 gpm @ 45 psi



Max 7.5 L/min (2.0 gpm)



ASSE 1070 unit must be installed
at HOT SIDE INLET (not included)

Max temp outlet 120°F

- | | | | |
|-----------------------------|--------------------|------------------------|--------------------------|
| 1. Adaptor | 11. Elbow (x2) | 21. End Cap (x2) | 31. O ring (2) |
| 2. Aerator | 12. Wall Plate | 22. Hose | 32. O ring (x4) |
| 3. Handle Adaptor (x2) | 13. Sleeve (x2) | 23. Retaining Nut (x2) | 33. Trim Ring (x2) |
| 4. Shower Adaptor | 14. Screw (x4) | 24. O ring (x2) | 34. Spout Trim Ring (x2) |
| 5. Spout Adaptor | 15. Screw | 25. O ring (x2) | 35. Spout |
| 6. Cartridge | 16. Screw (x3) | 26. O ring (x4) | 36. Screw (x2) |
| 7. Cartridge | 17. Temp Handle | 27. O ring (x2) | 37. Valve |
| 8. Retaining Ring (x2) | 18. Volume Handle | 28. O ring (x6) | |
| 9. Check Valve (x2) | 19. Handset | 29. O ring | |
| 10. Check Valve Holder (x2) | 20. Handset Holder | 30. O ring | |

