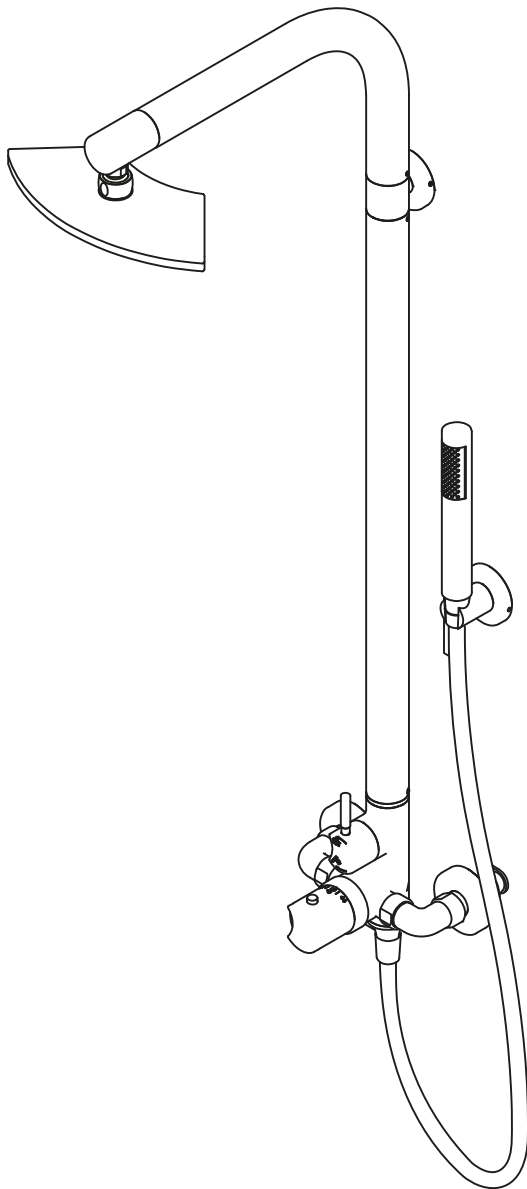
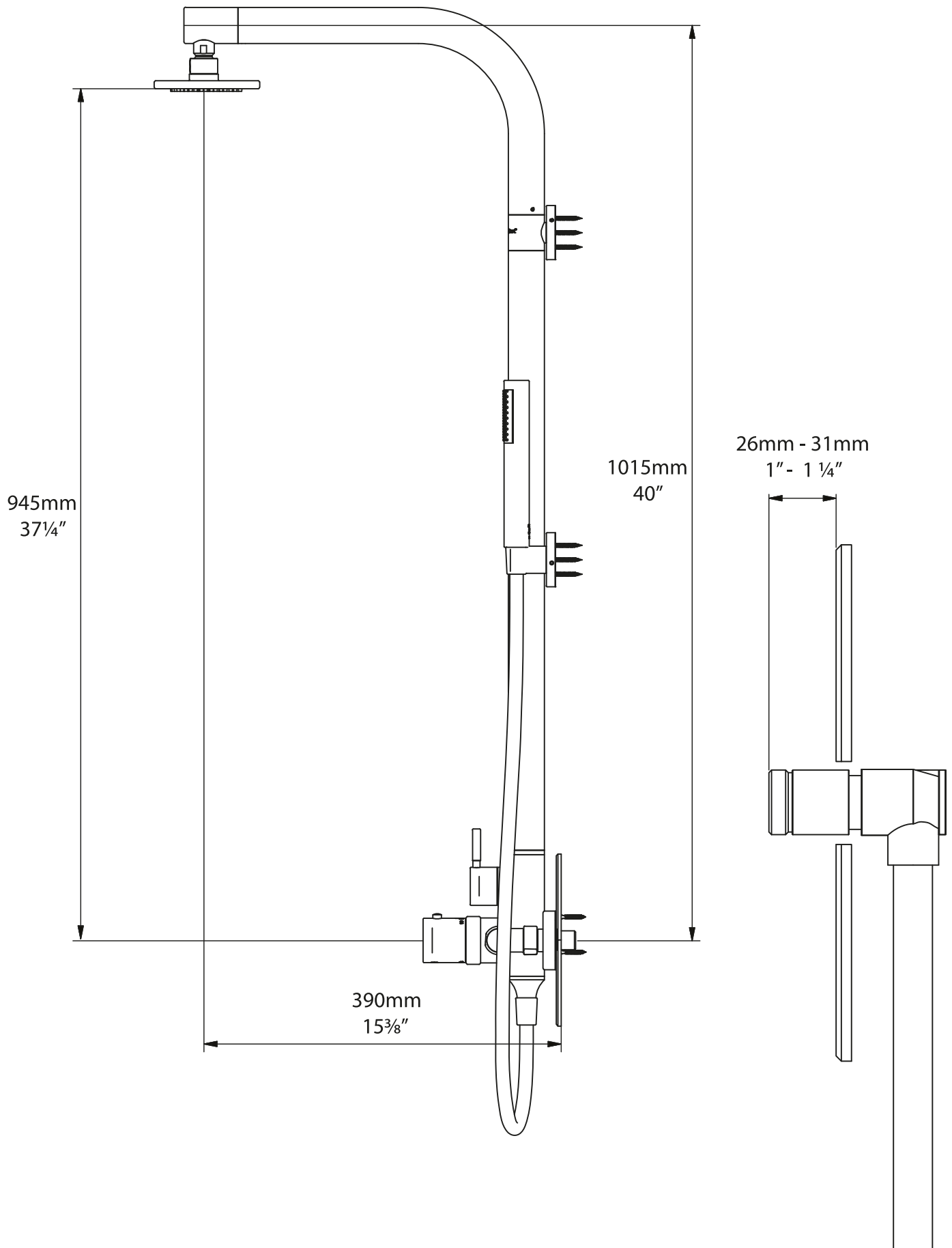


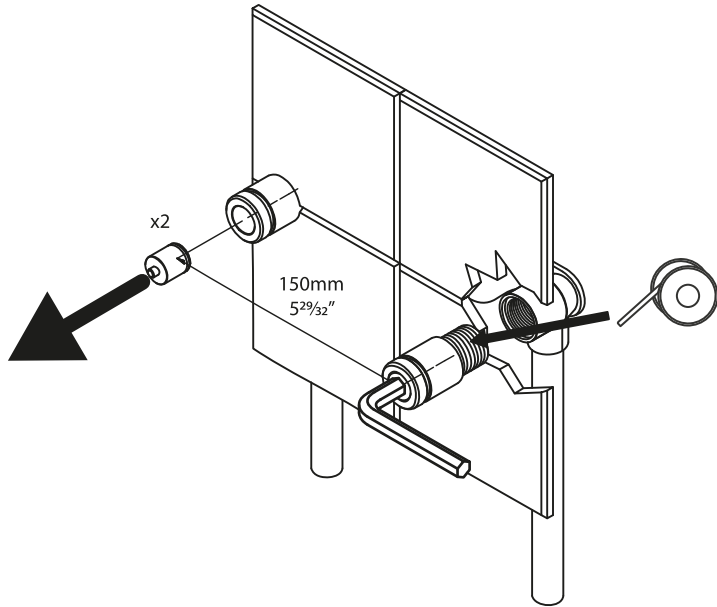
# Tubo 20



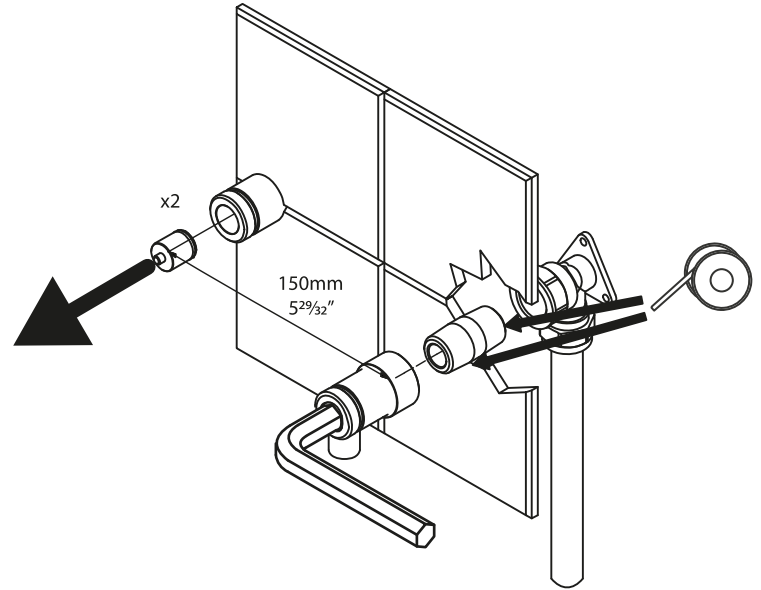
Fitting instructions  
Notice d'installation  
Instrucciones de montaje  
Montageanleitung  
Istruzioni di montaggio  
Montagehandleiding  
Instrukcja montażu  
Указания по креплению



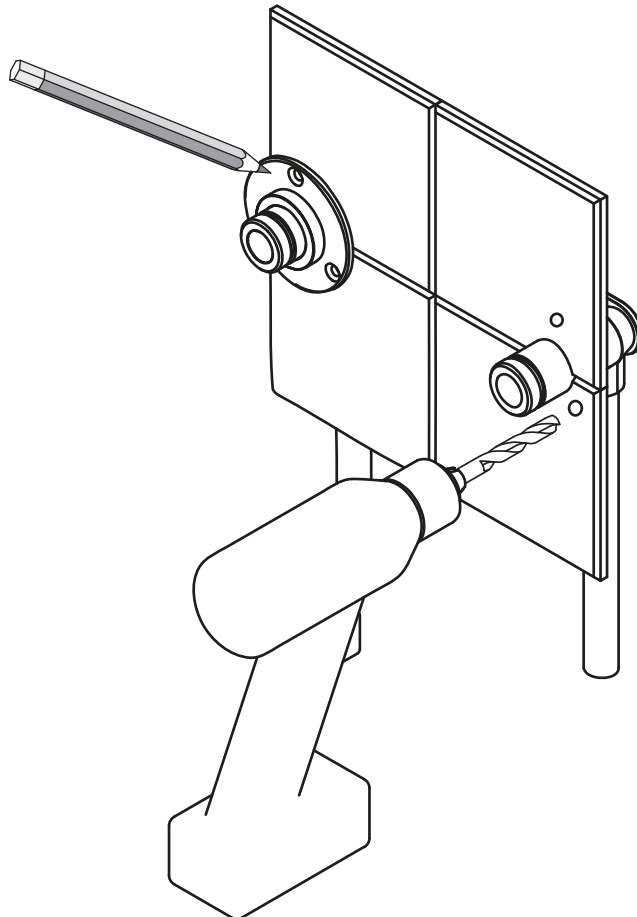
1. UK/EU



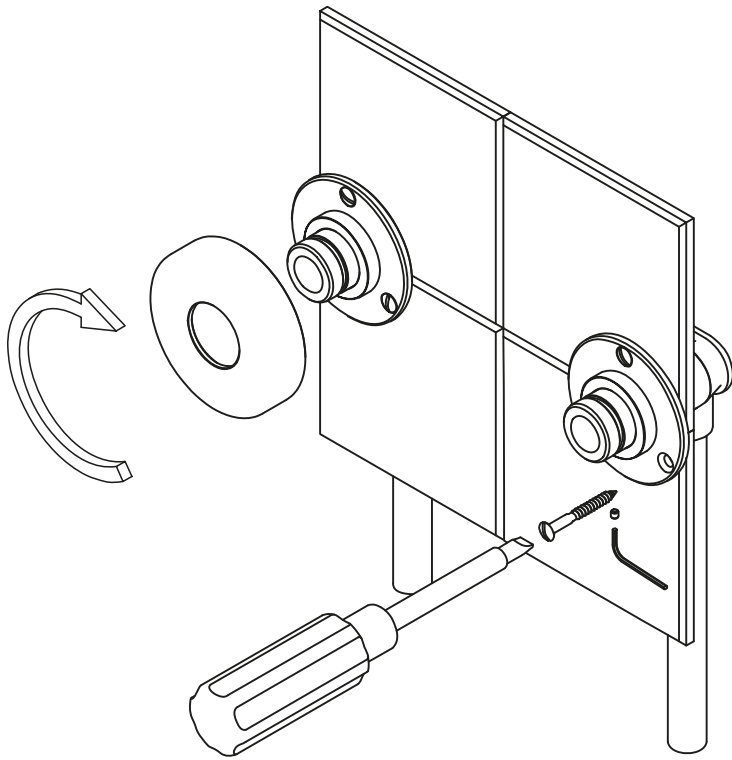
US/CA



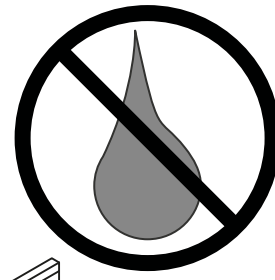
2.



3.



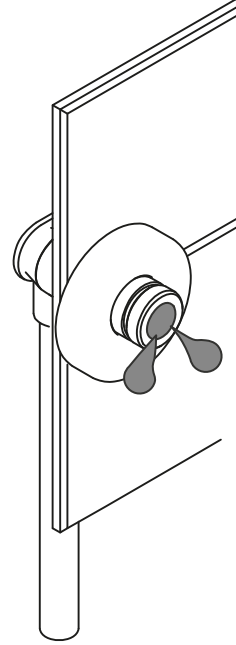
4.



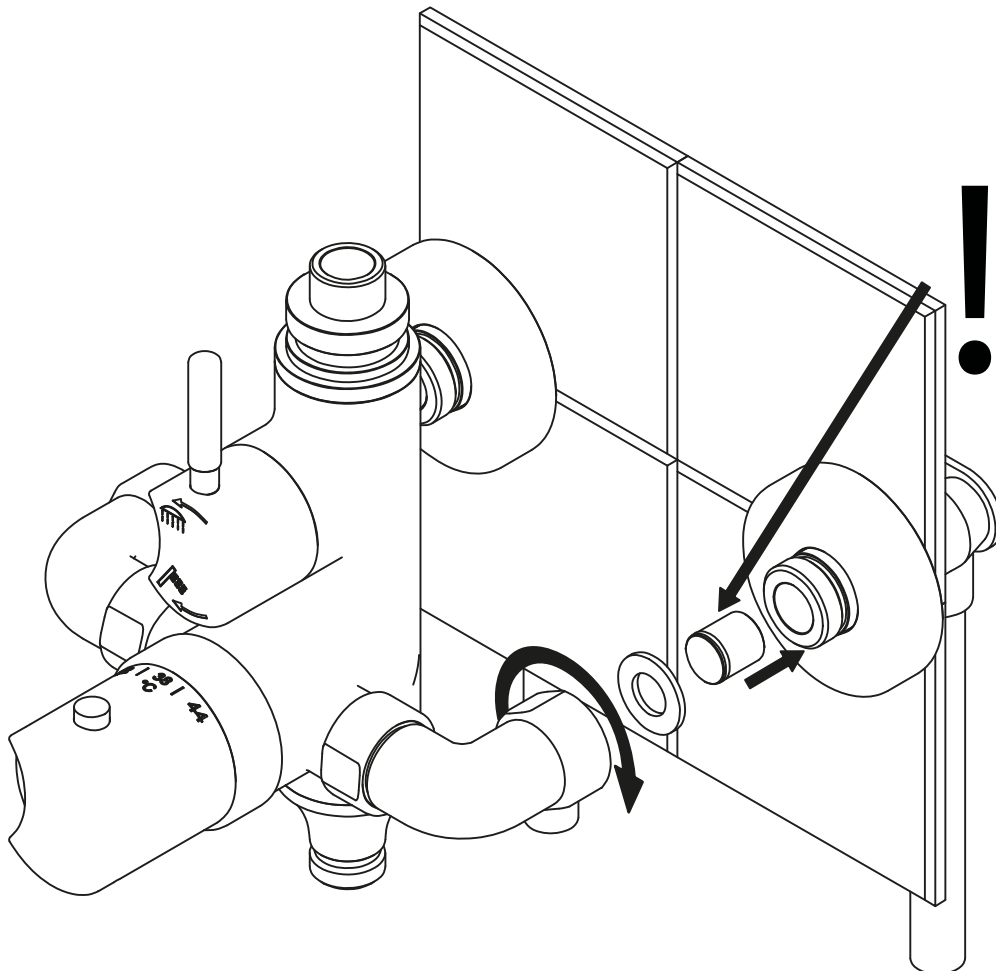
CHECK  
COMPROBAR  
VERIFER  
ÜBERPRÜFEN



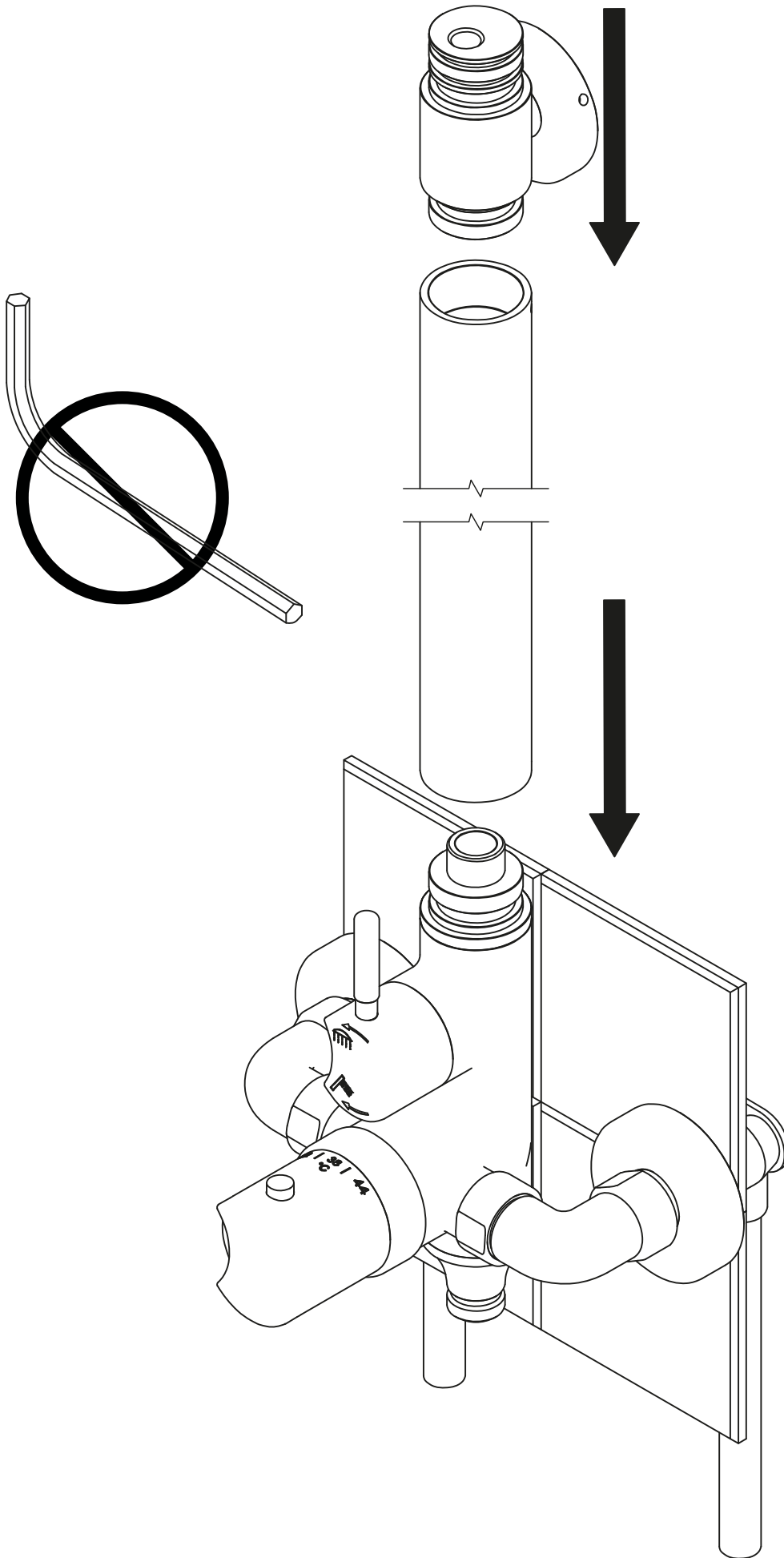
Clean Pipes  
Limpiar Tuberias  
Netoyer La Tuyaterie  
Rohre Suaber Machen



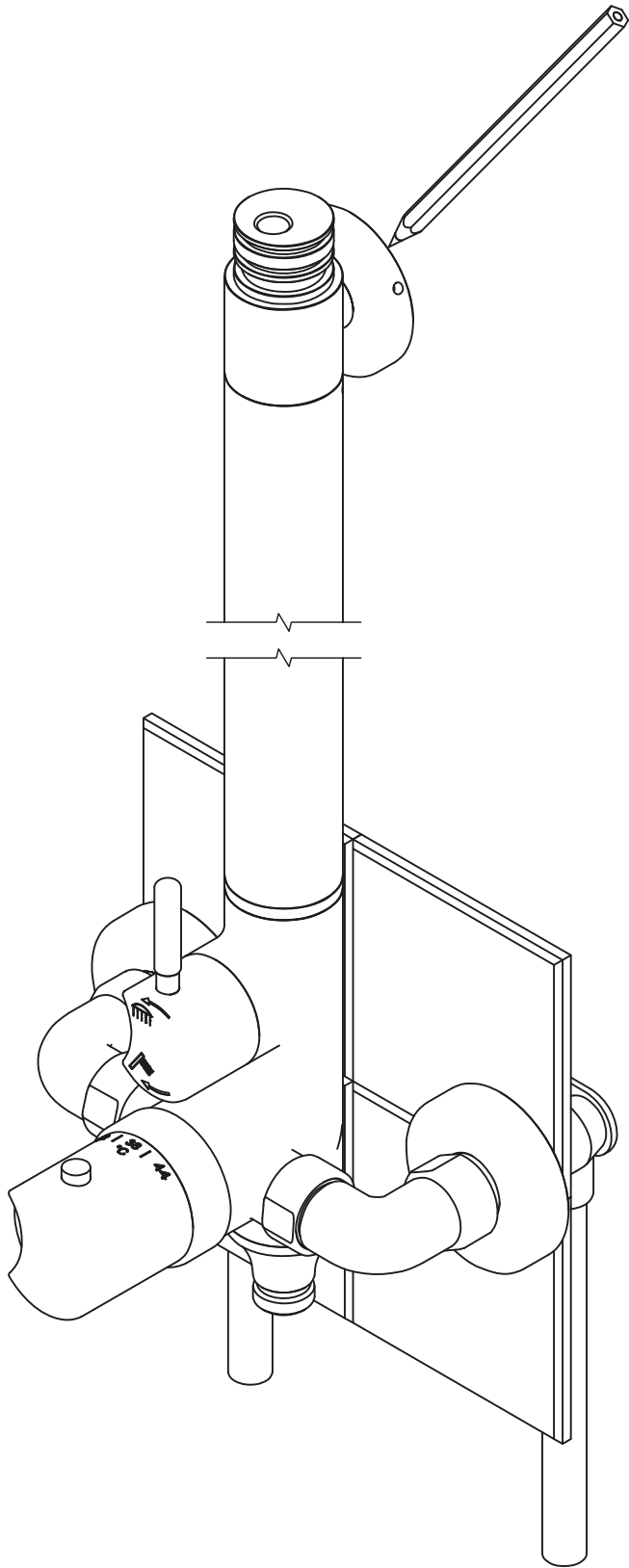
5.



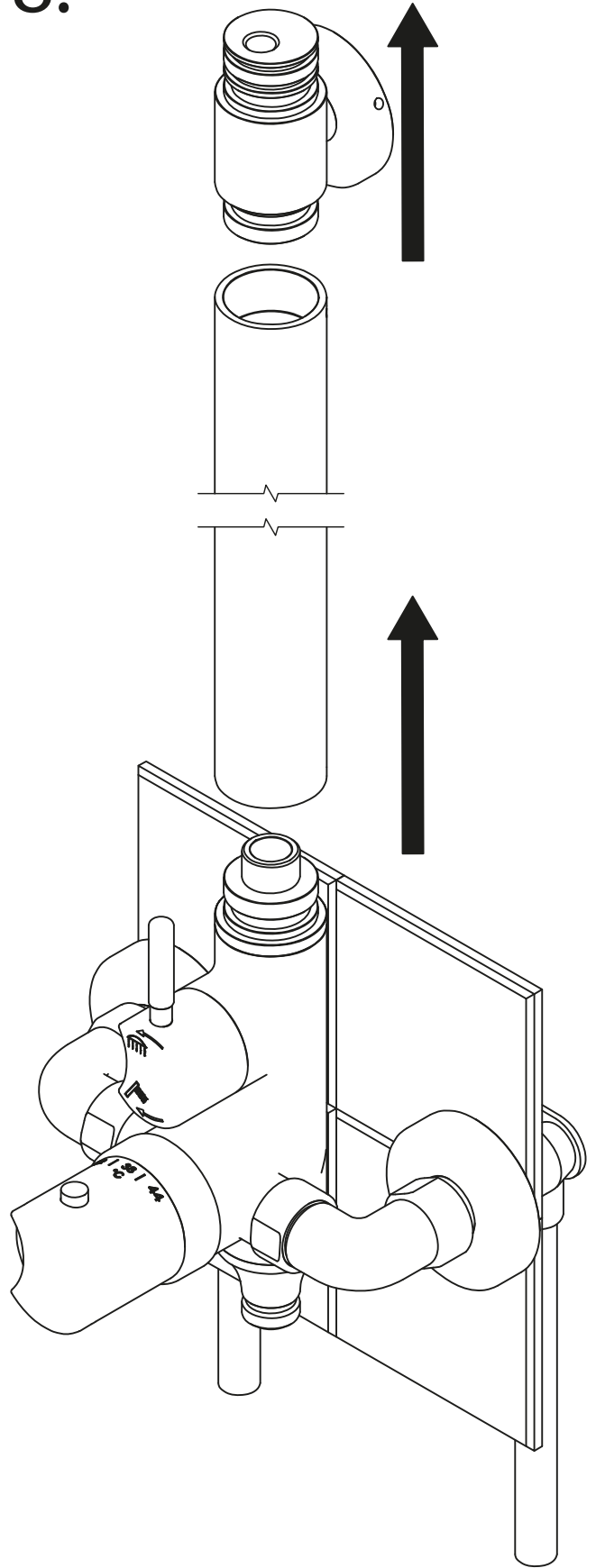
6.



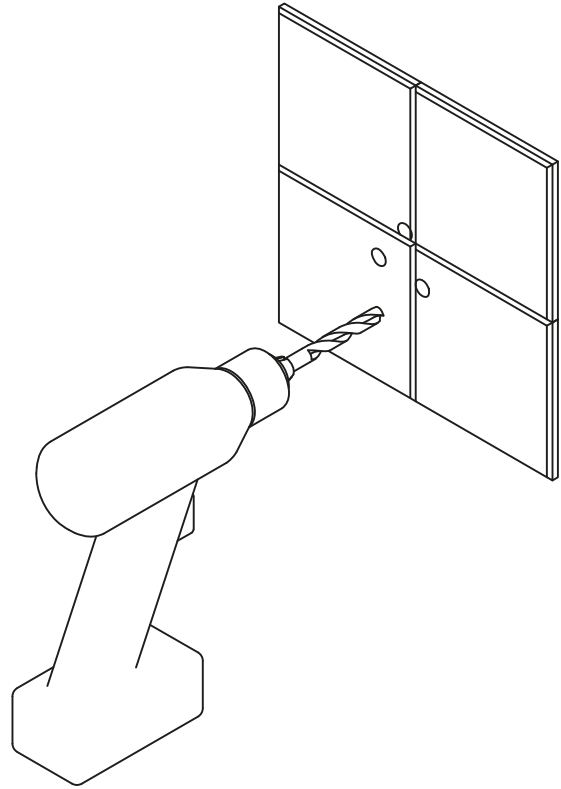
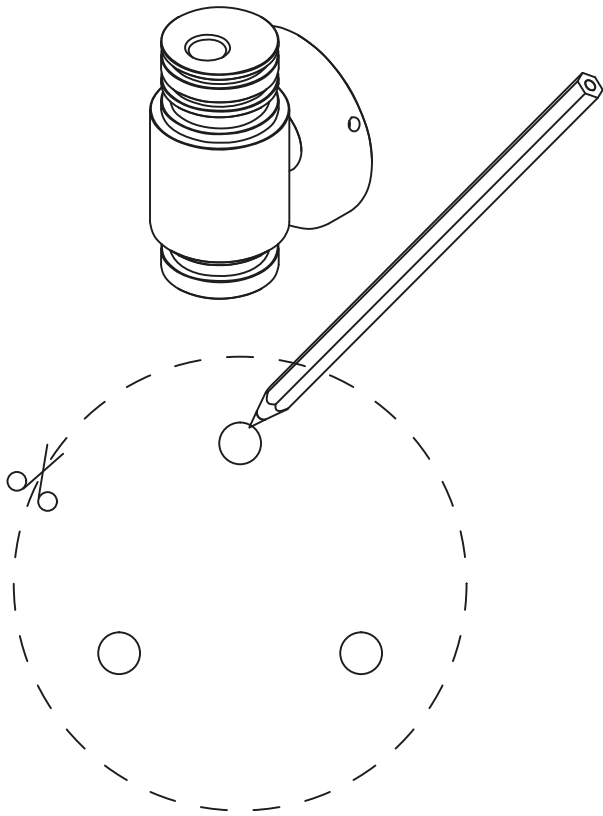
7.



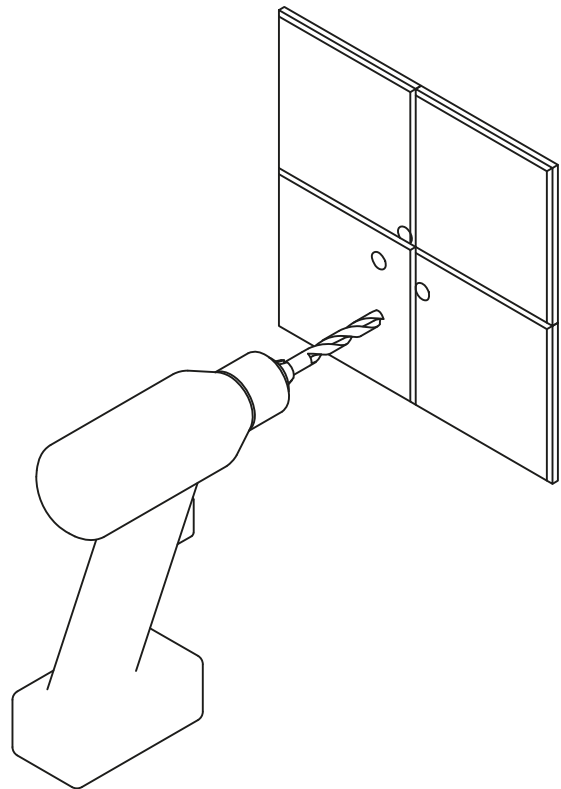
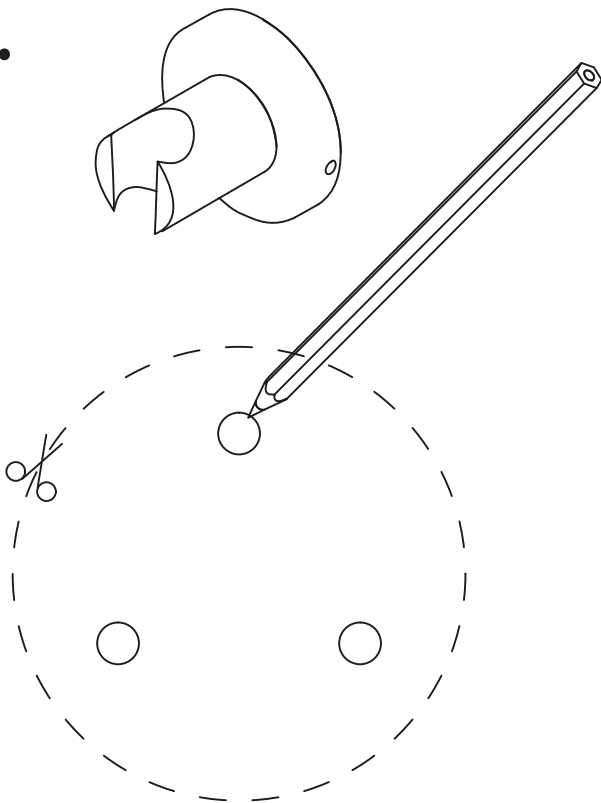
8.



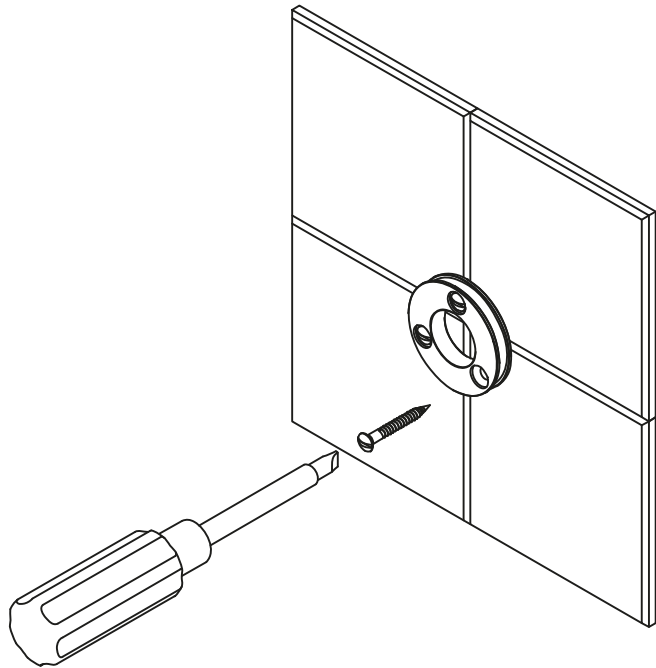
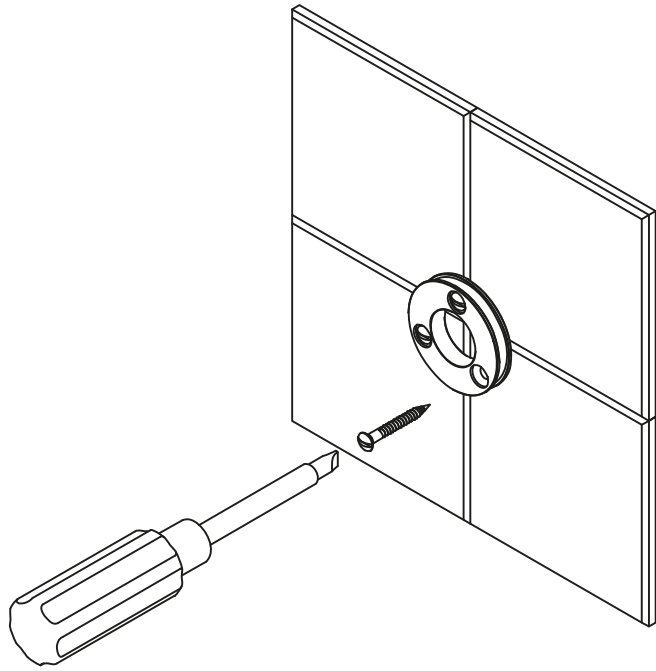
9.



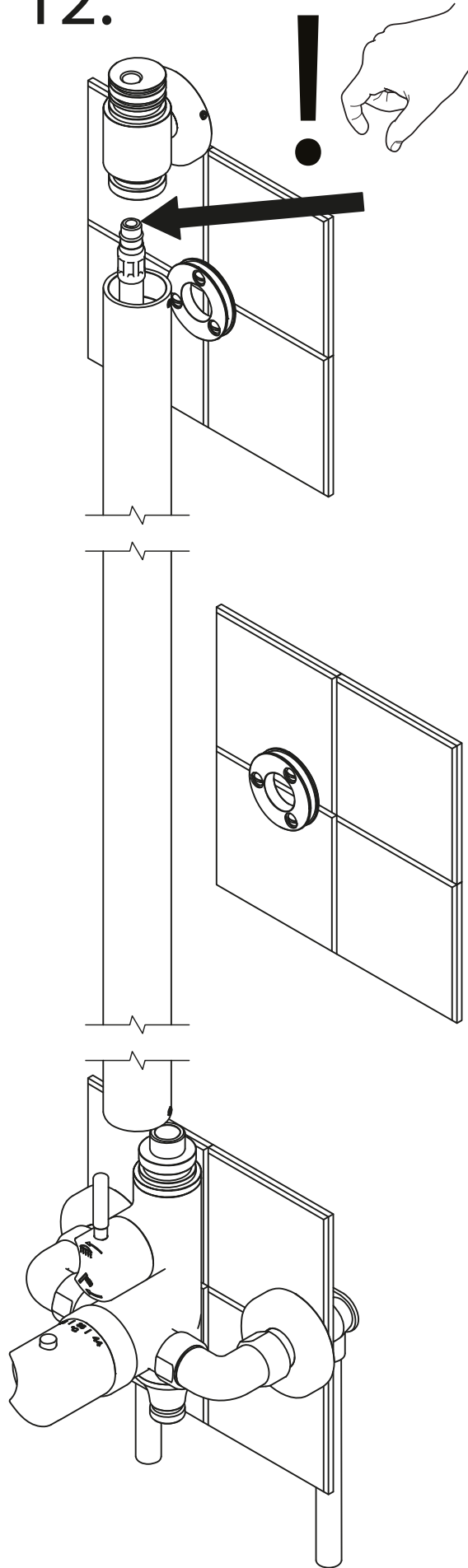
10.



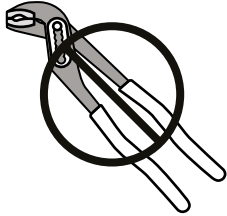
11.



12.

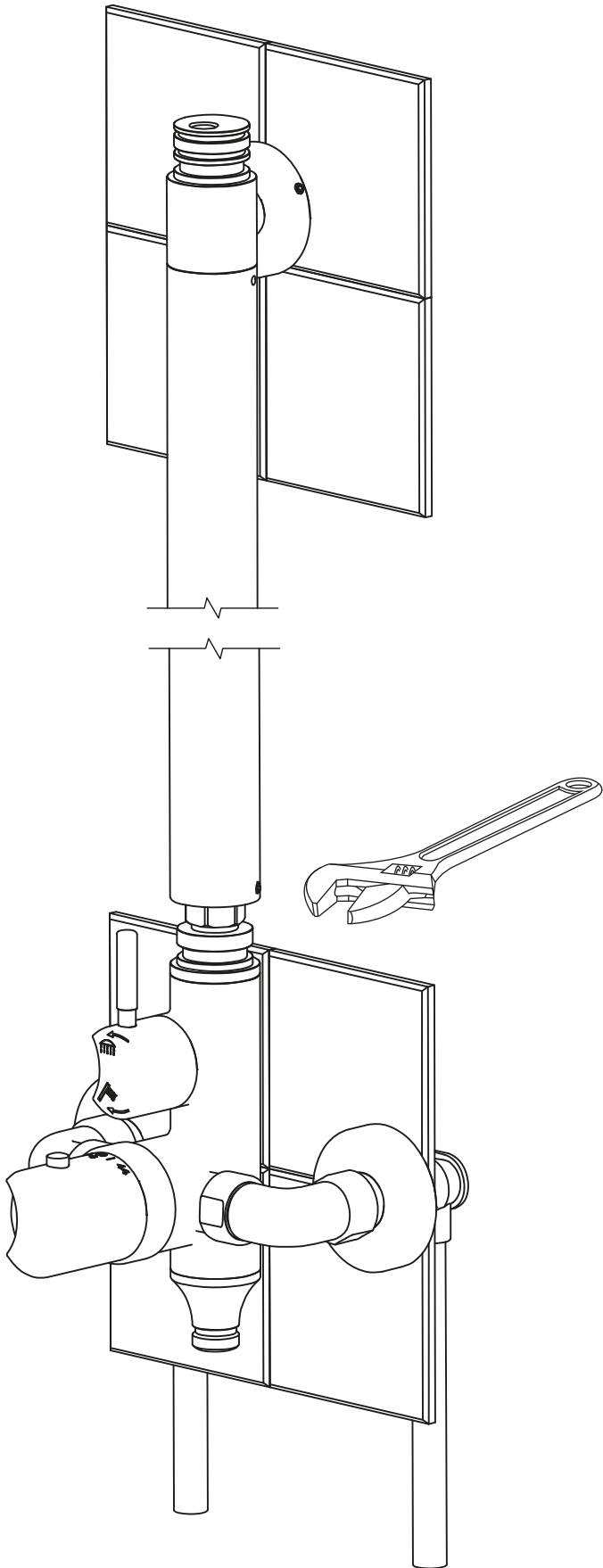


Handtighen  
Apriete a mano  
Serrez à la main  
Handfest anziehen

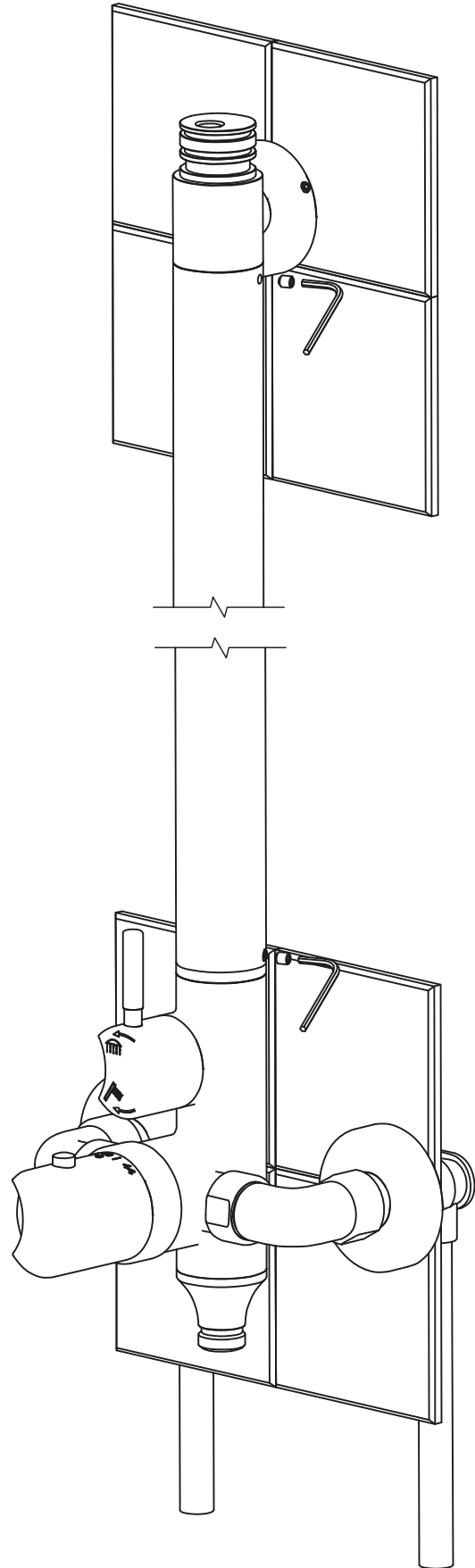




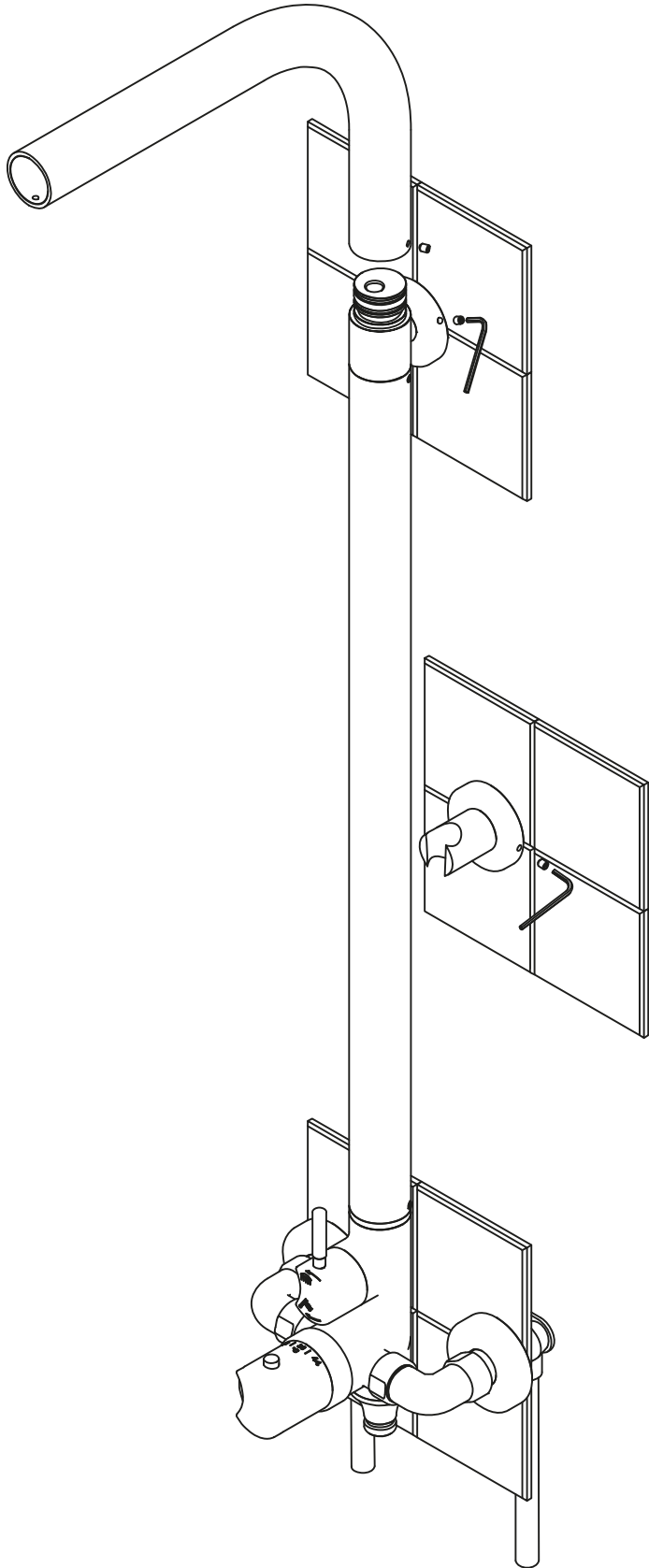
11.



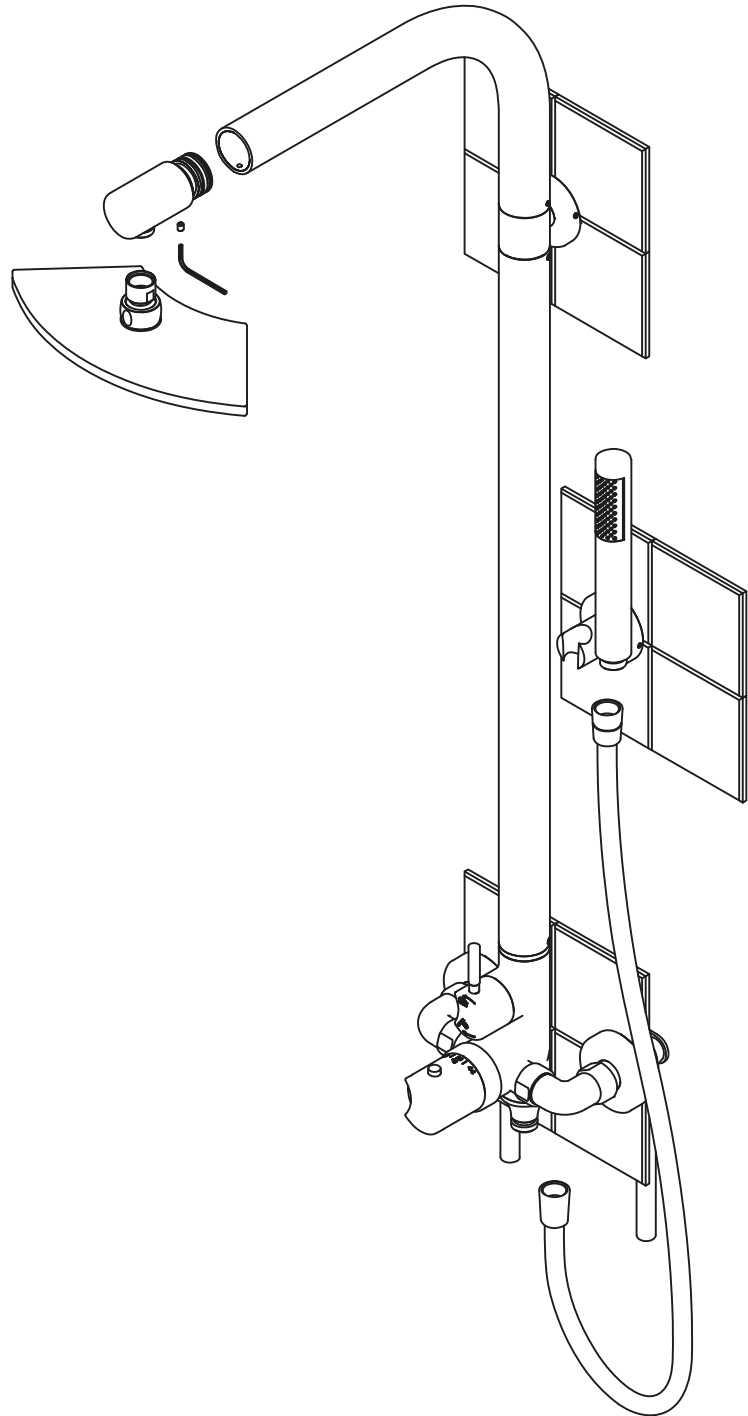
12.



13.

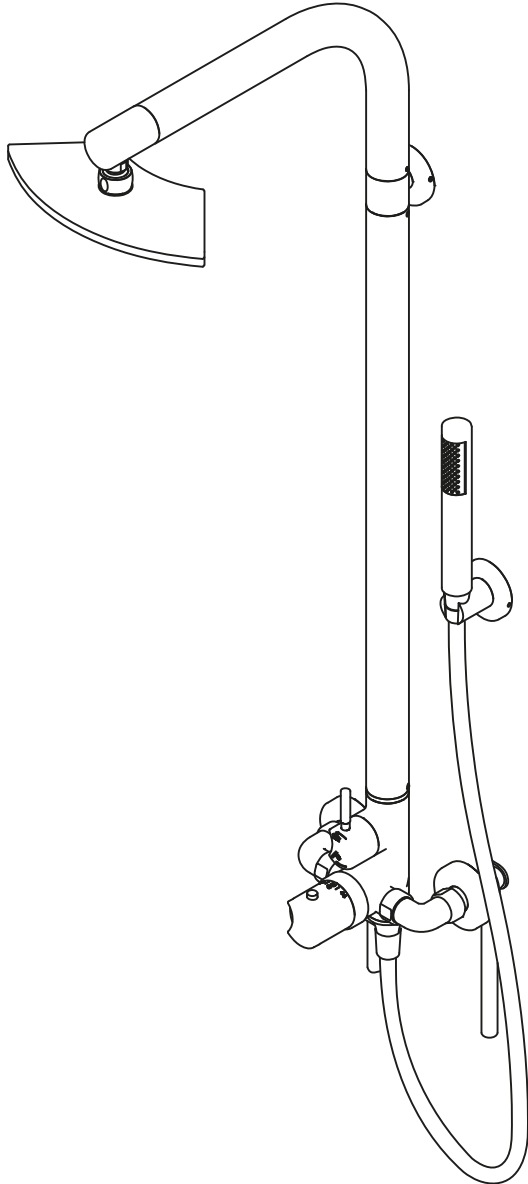


14.

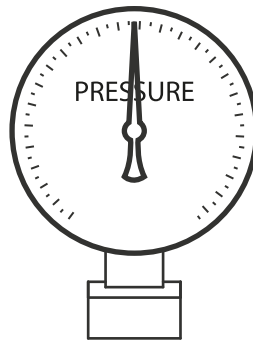




CHECK  
COMPROBAR  
VERIFER  
ÜBERPRÜFEN



## UK/EU



0.5 - 5 Bar

Max 18 L/min @ 3.0 Bar

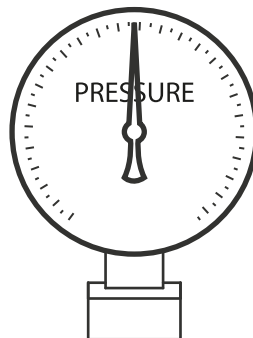


Max 20 L/min @ 3.0 Bar



Max ratio hot to cold = 5:1

## US/CA



7.5 - 72.5 psi

Max ratio hot to cold = 5:1

Max 6.8 L/min (1.8 gpm)



Max 6.8 L/min (1.8 gpm)

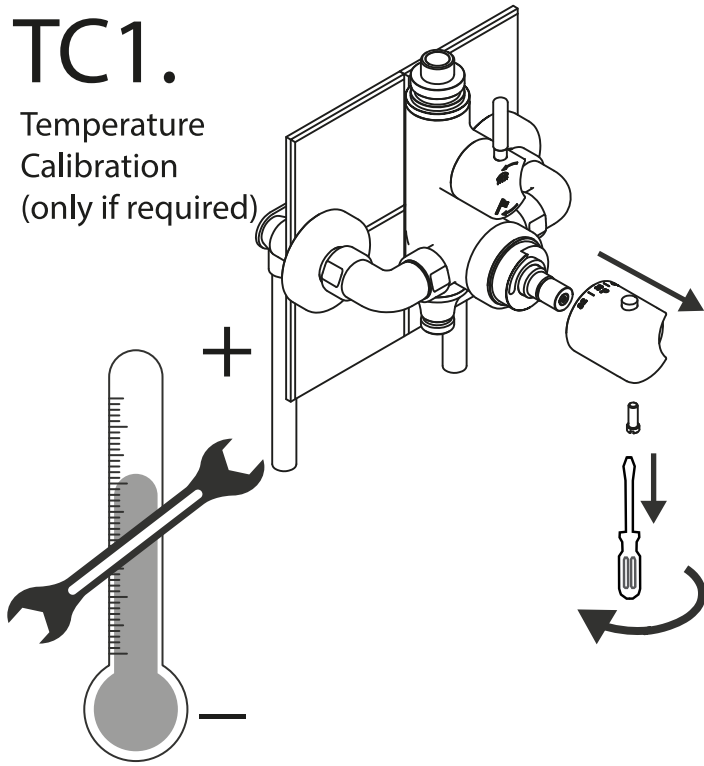


For use with shower heads rated at 7.5 L/min (2.0gpm) or higher

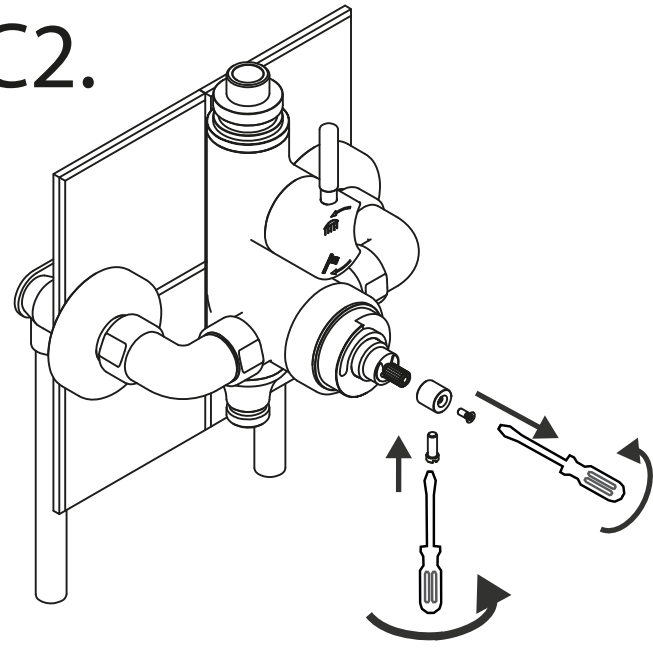
Max temperature outlet 120°F

### TC1.

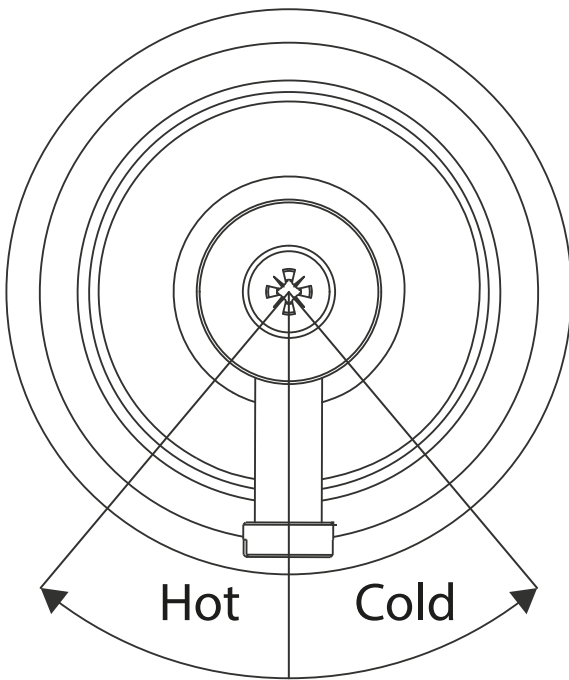
Temperature Calibration  
(only if required)



### TC2.

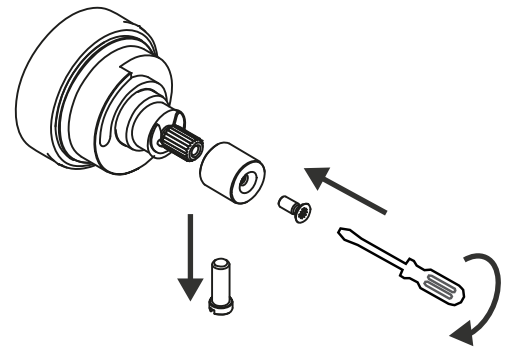


### TC3.

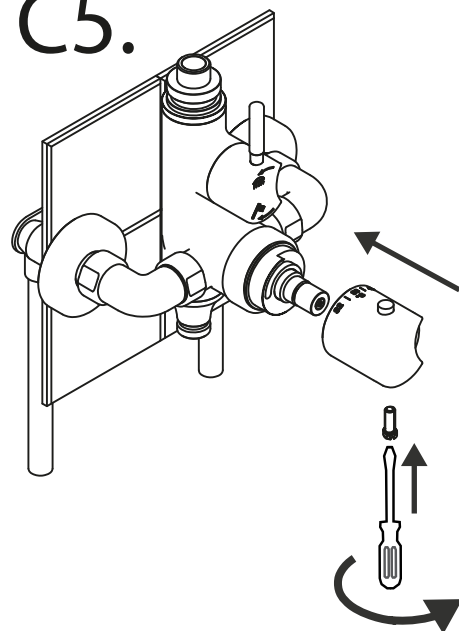


20° = 2°C (4°F)

### TC4.



### TC5.



- |                           |                     |                   |                            |
|---------------------------|---------------------|-------------------|----------------------------|
| 1. Cartridge Adaptor (x2) | 13. Flexible Tail   | 25. Cartridge Nut | 37. Screw (x9)             |
| 2. Temp Stop Ring         | 14. Grub Screw (x5) | 26. O ring (x2)   | 38. Screw (x2)             |
| 3. Adaptor                | 15. Grub Screw      | 27. O ring (x2)   | 39. Screw                  |
| 4. Spacer                 | 16. Grub Screw      | 28. O ring (x2)   | 40. Screw                  |
| 5. Bolt                   | 17. Temp Handle     | 29. Oring (x2)    | 41. Thermostatic Cartridge |
| 6. Temp Button            | 18. Diverter Handle | 30. ORing (x2)    | 42. Top Outlet             |
| 7. Diverter Cartridge     | 19. Wall Plate (x2) | 31. Stop Pin      | 43. Bent Tube              |
| 8. Non Return Valve       | 20. Handset         | 32. Riser Joiner  | 44. Vertical Tube          |
| 9. Elbow (x2)             | 21. Handset Holder  | 33. Shower Rose   | 45. Wall Union (x2)        |
| 10. Wall Shroud           | 22. Top Cap         | 34. Spacer Ring   | 46. Main Body              |
| 11. Wall Plate (x2)       | 23. Bottom Cap      | 35. Adaptor       | 47. Washer (x4)            |
| 12. Wall Shroud (x2)      | 24. Hose            | 36. Temp Spring   |                            |

