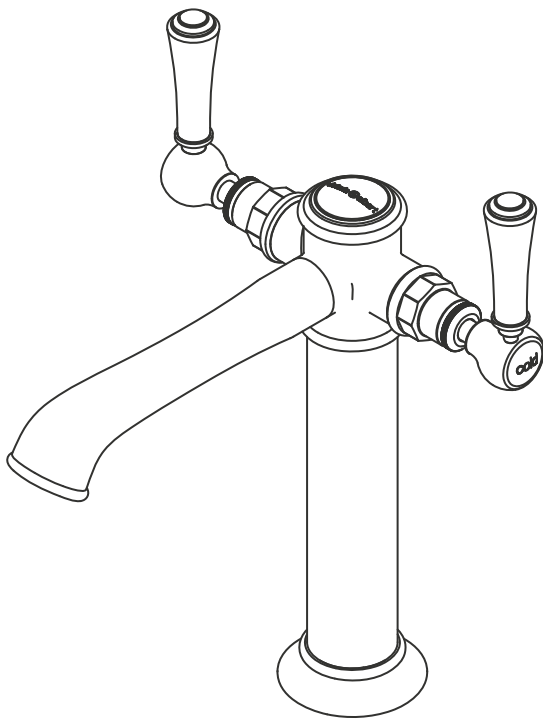
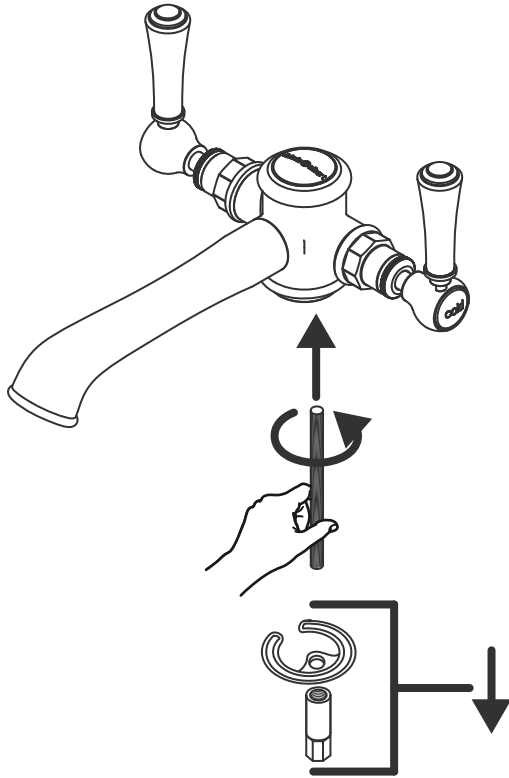


# Staffordshire STA-11

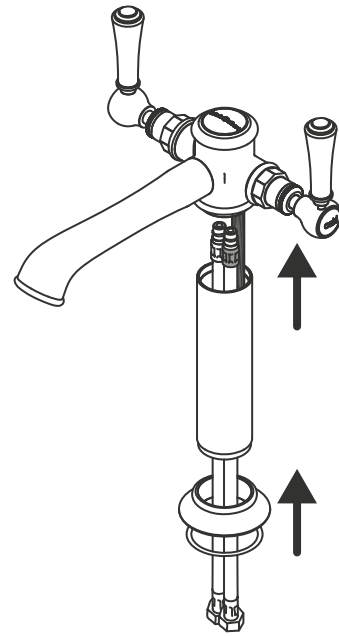


Fitting instructions  
Notice d'installation  
Instrucciones de montaje  
Montageanleitung  
Istruzioni di montaggio  
Montagehandleiding  
Instrukcja montażu  
Указания по креплению

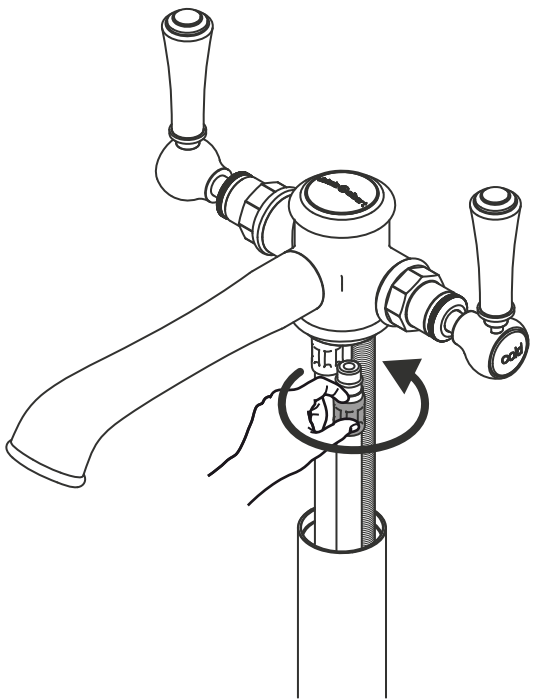
1.



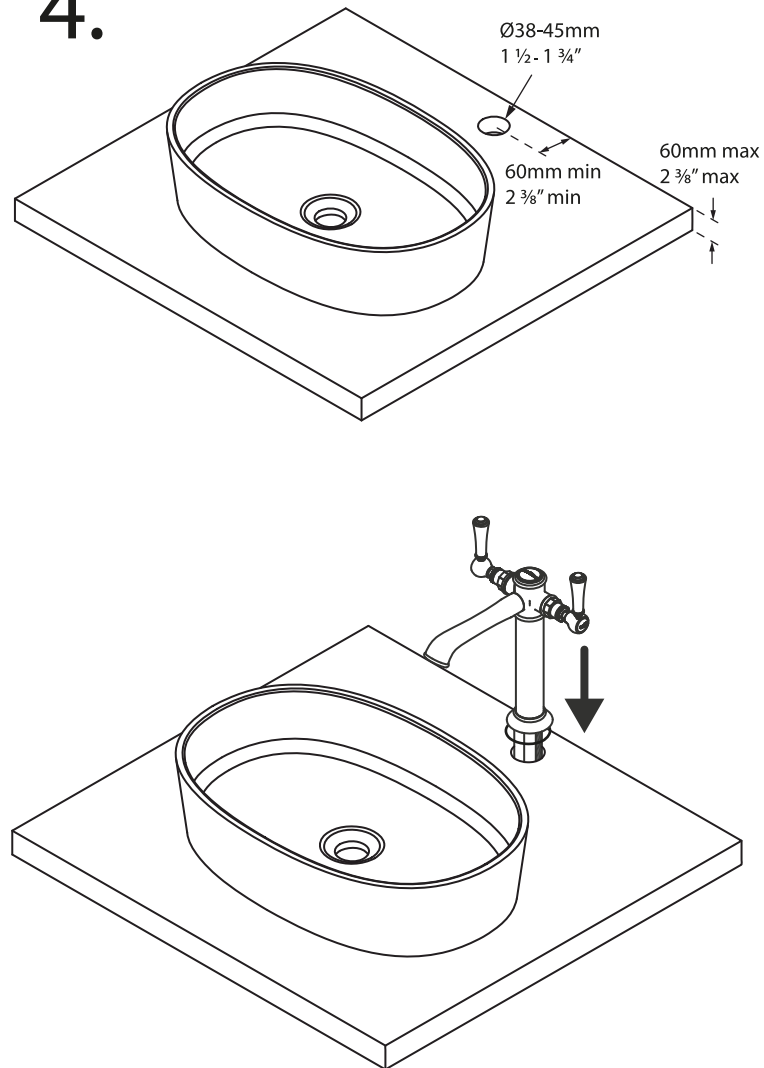
2.



3.



4.



5.

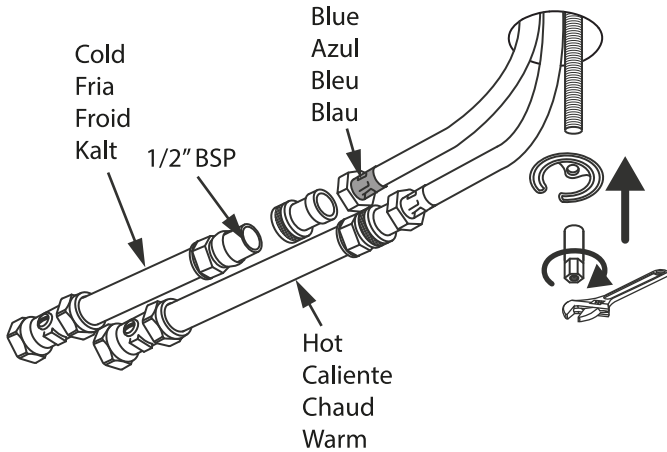


CHECK  
COMPROBAR  
VERIFER  
ÜBERPRÜFEN

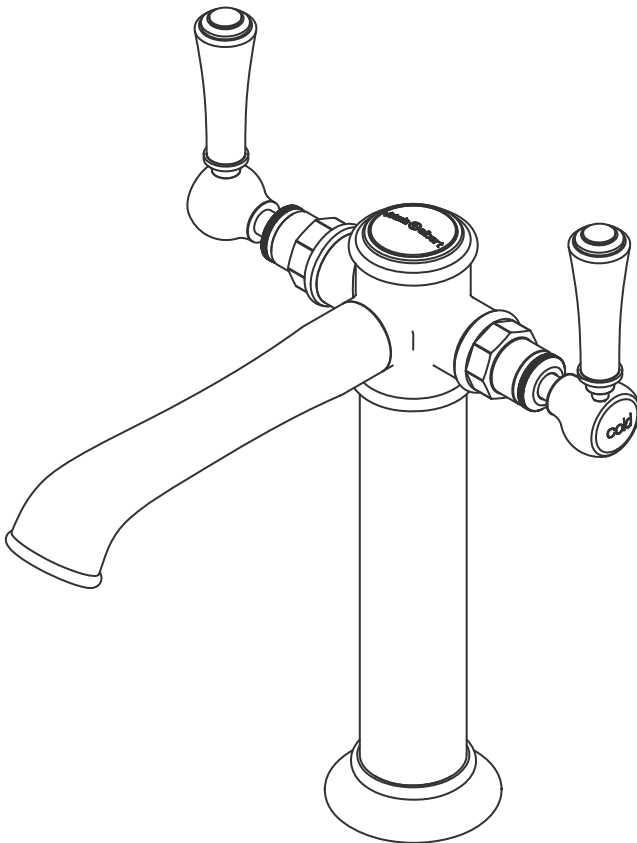
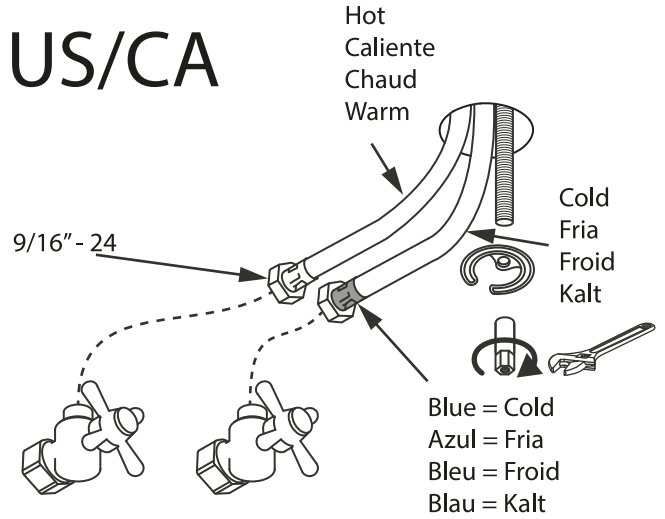


Clean Pipes  
Limpiar Tuberias  
Netoyer La Tuyaterie  
Rohre Sauber Machen

UK/EU



US/CA



CHECK  
COMPROBAR  
VERIFER  
ÜBERPRÜFEN

UK/EU



1 - 5 Bar

Max 9 L/min @ 3.0 Bar

US/CA



14.5 - 72.5 psi

Max 1.2 gpm @ 60 psi

- |                       |                                |
|-----------------------|--------------------------------|
| 1. Uprand             | 10. Body                       |
| 2. Back Nut           | 11. Threaded Bolt              |
| 3. 1/4 Turn Cartridge | 12. Indice                     |
| 4. C Plate            | 13. O Rrng                     |
| 5. Base Flange        | 14. O ring                     |
| 6. Flexible Tails     | 15. Flow Limiter (US Only)     |
| 7. Screw              | 16. Aerator                    |
| 8. Screw              | 17. Spout                      |
| 9. Handle             | 18. Non Return Valve (EU Only) |

