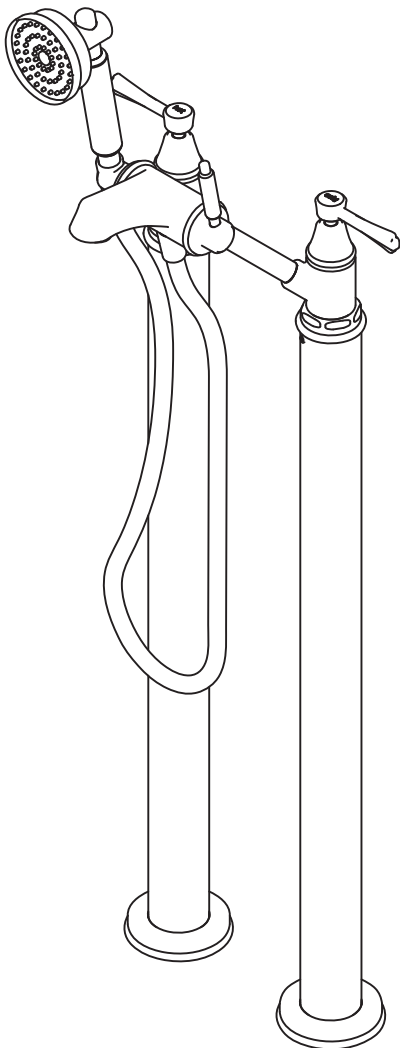
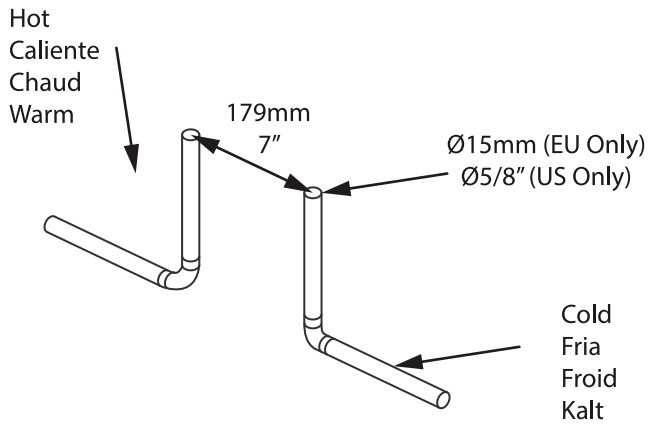


# Florin 26

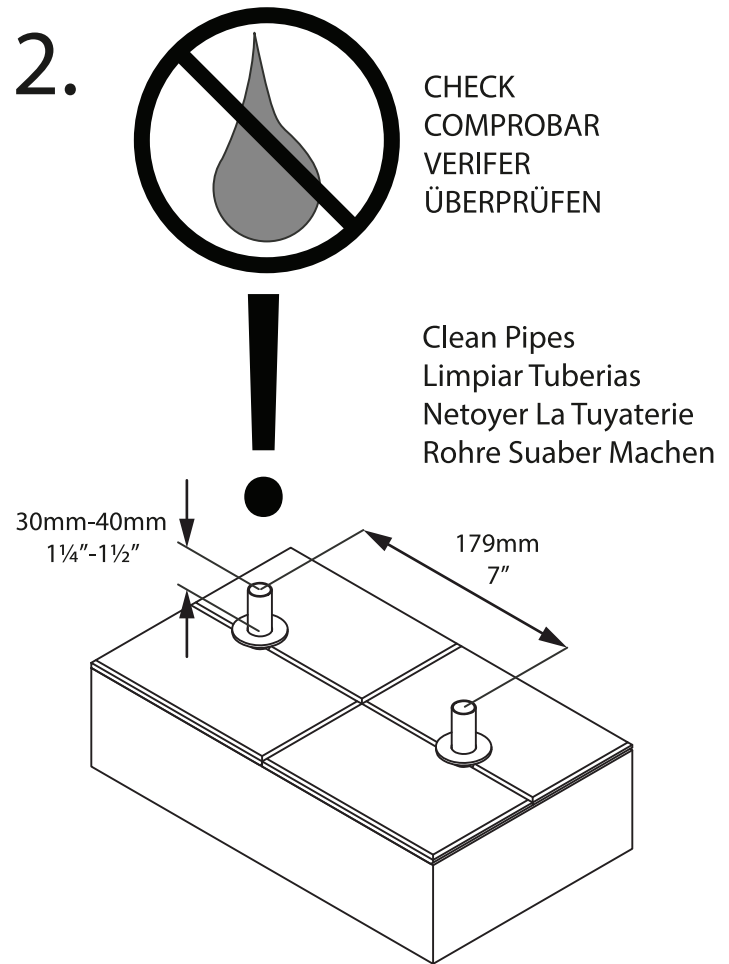


Fitting instructions  
Notice d'installation  
Instrucciones de montaje  
Montageanleitung  
Istruzioni di montaggio  
Montagehandleiding  
Instrukcja montażu  
Указания по креплению

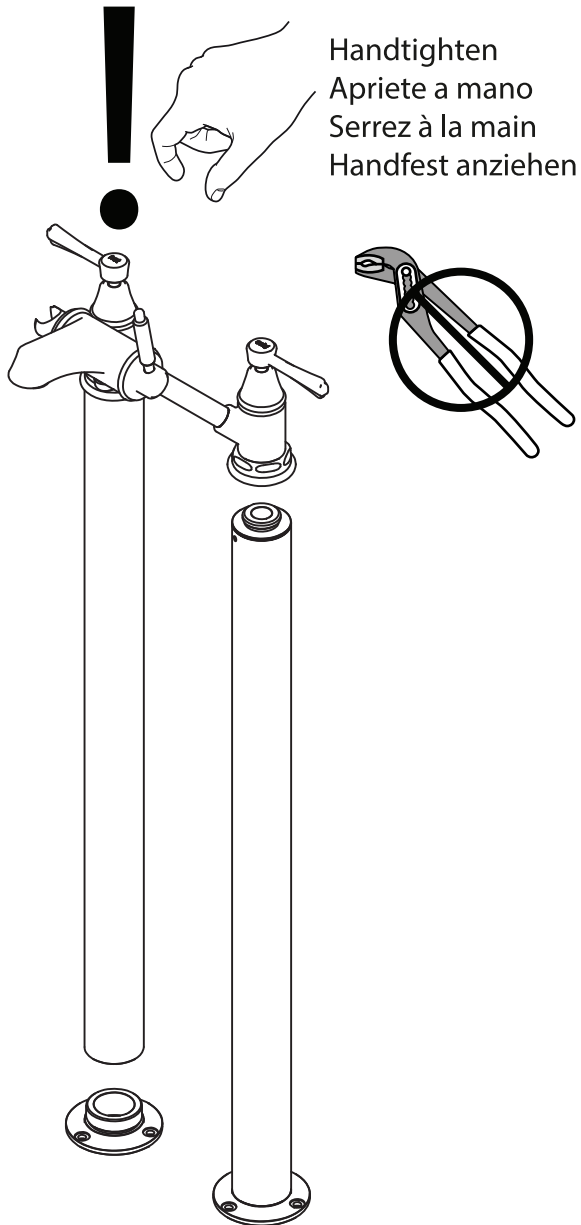
1.



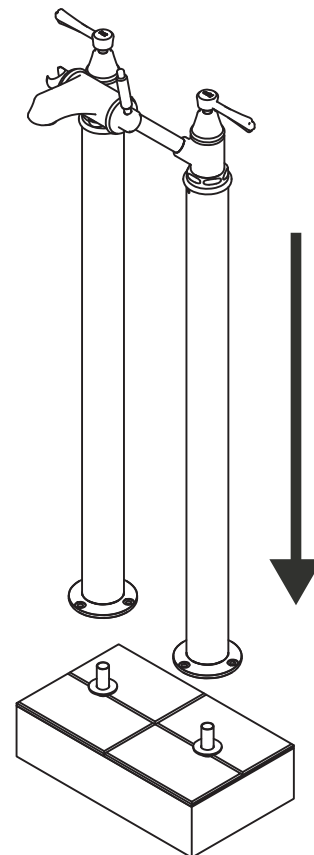
2.



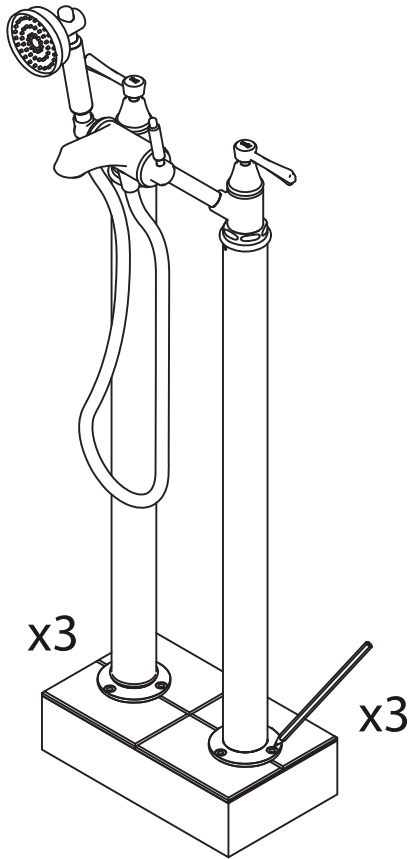
3.



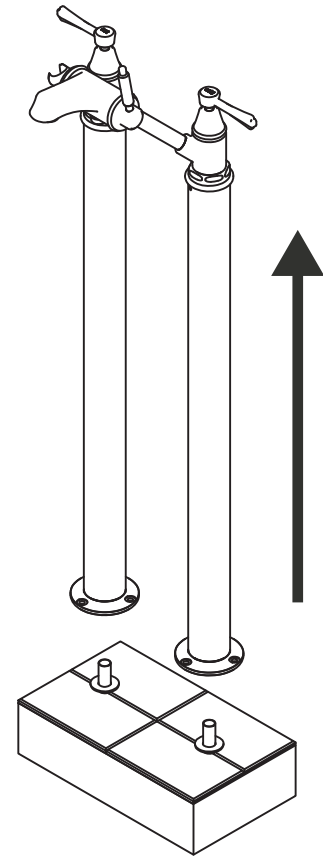
4.



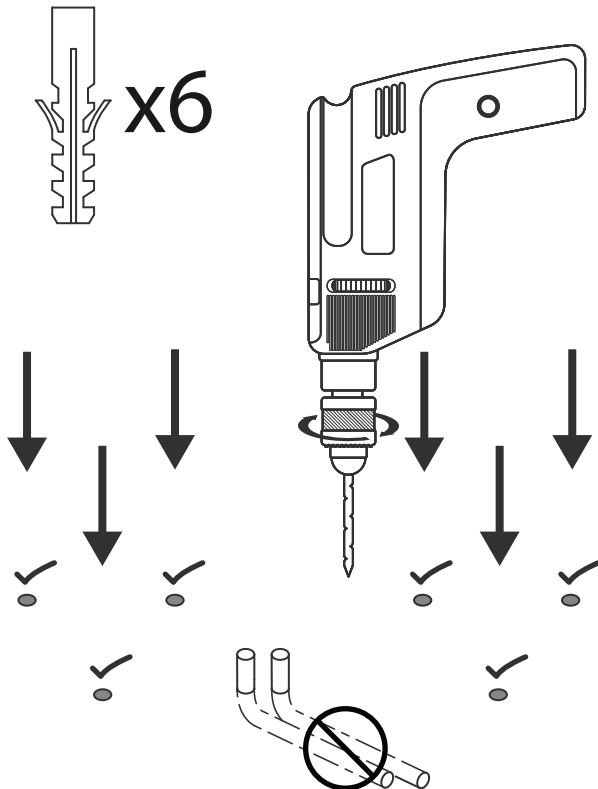
5.



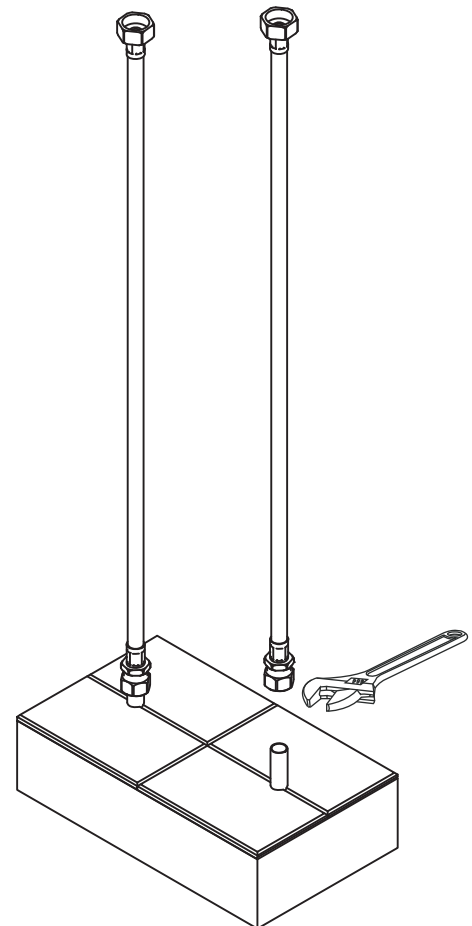
6.



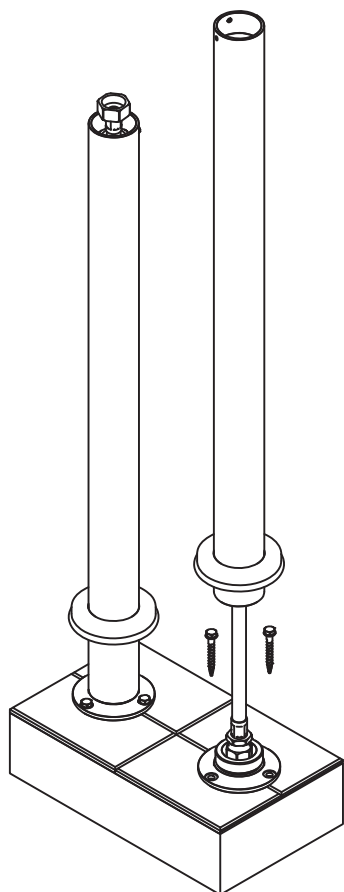
7.



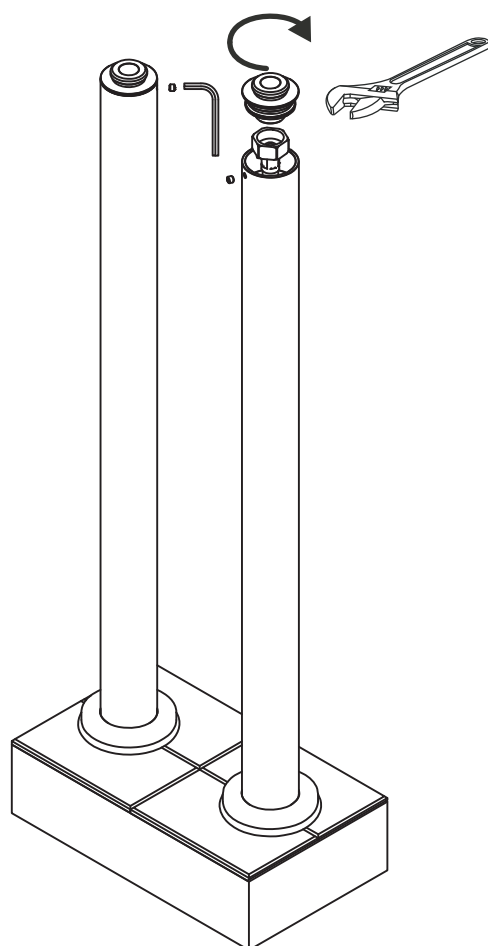
8.



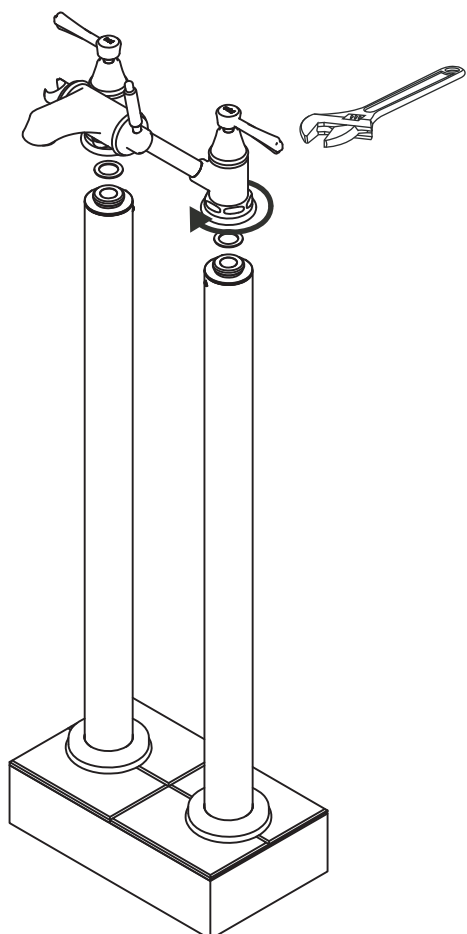
9.



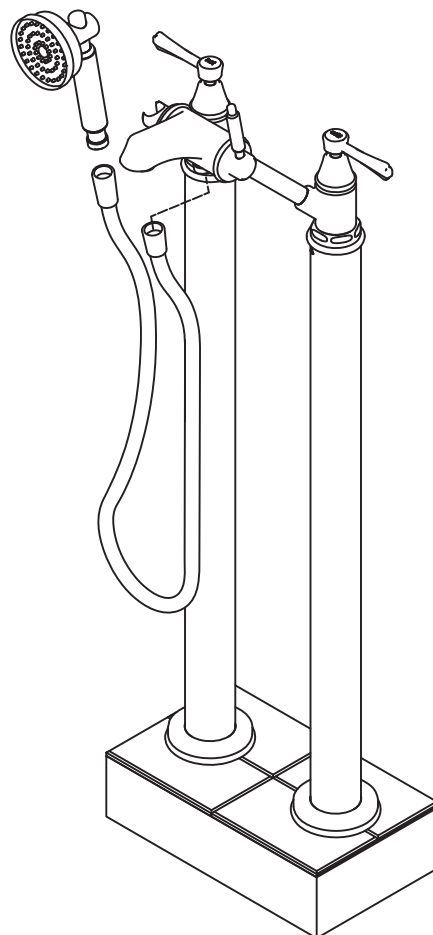
10.

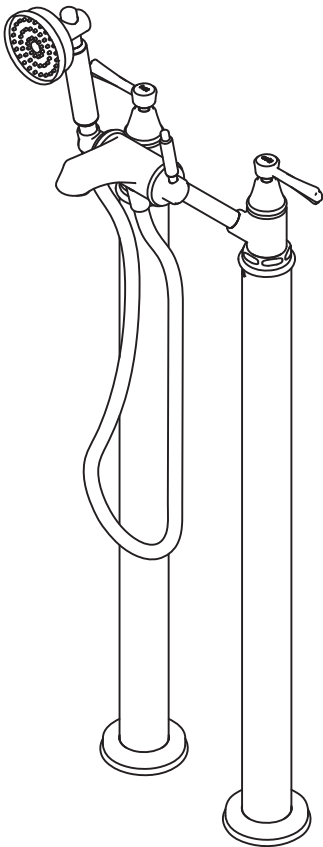


11.

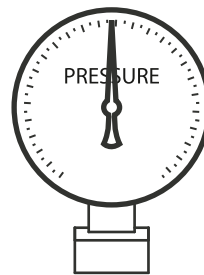


12.





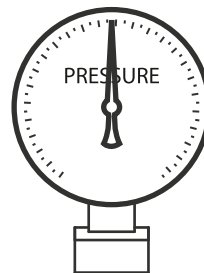
CHECK  
COMPROBAR  
VERIFER  
ÜBERPRÜFEN



## UK/EU

1 - 5 Bar

Max 30L/min @ 3.0 Bar



## US/CA

14.5 - 72.5 psi

Max 8 gpm @ 45 psi

Max 9.5 L/min (2.0 gpm)



ASSE 1070 unit must be installed  
at HOT SIDE INLET (not included)

Max temp outlet 120°F

- 1. Cartridge Adaptor
- 2. Aerator
- 3. Adaptor
- 4. Adaptor
- 5. 1/4 Turn Cartridge
- 6. Diverter Cartridge
- 7. Retaining Ring
- 8. Check Valve
- 9. Grub Screw
- 10. Hand Shower Holder

- 11. Hand Shower
- 12. Shower Rose
- 13. Cold Handle
- 14. Hot Handle
- 15. Cartridge Nut
- 16. Hose
- 17. Body Nut
- 18. O Ring
- 19. Valve Seat
- 20. Screw

- 21. Diverter Handle
- 22. Main Body
- 23. Screw
- 24. Tube
- 25. Flexible Tail
- 26. Grub Screw
- 27. O Ring
- 28. Floor Shroud
- 29. Screw
- 30. Leg Flange

