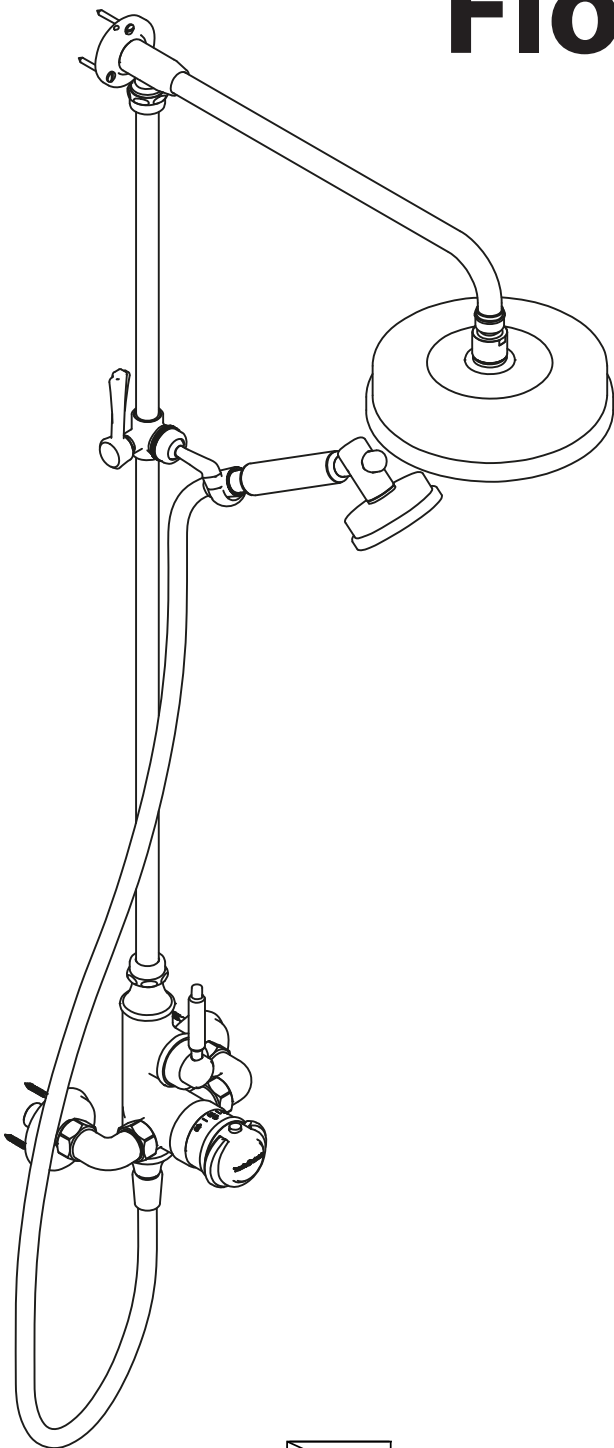
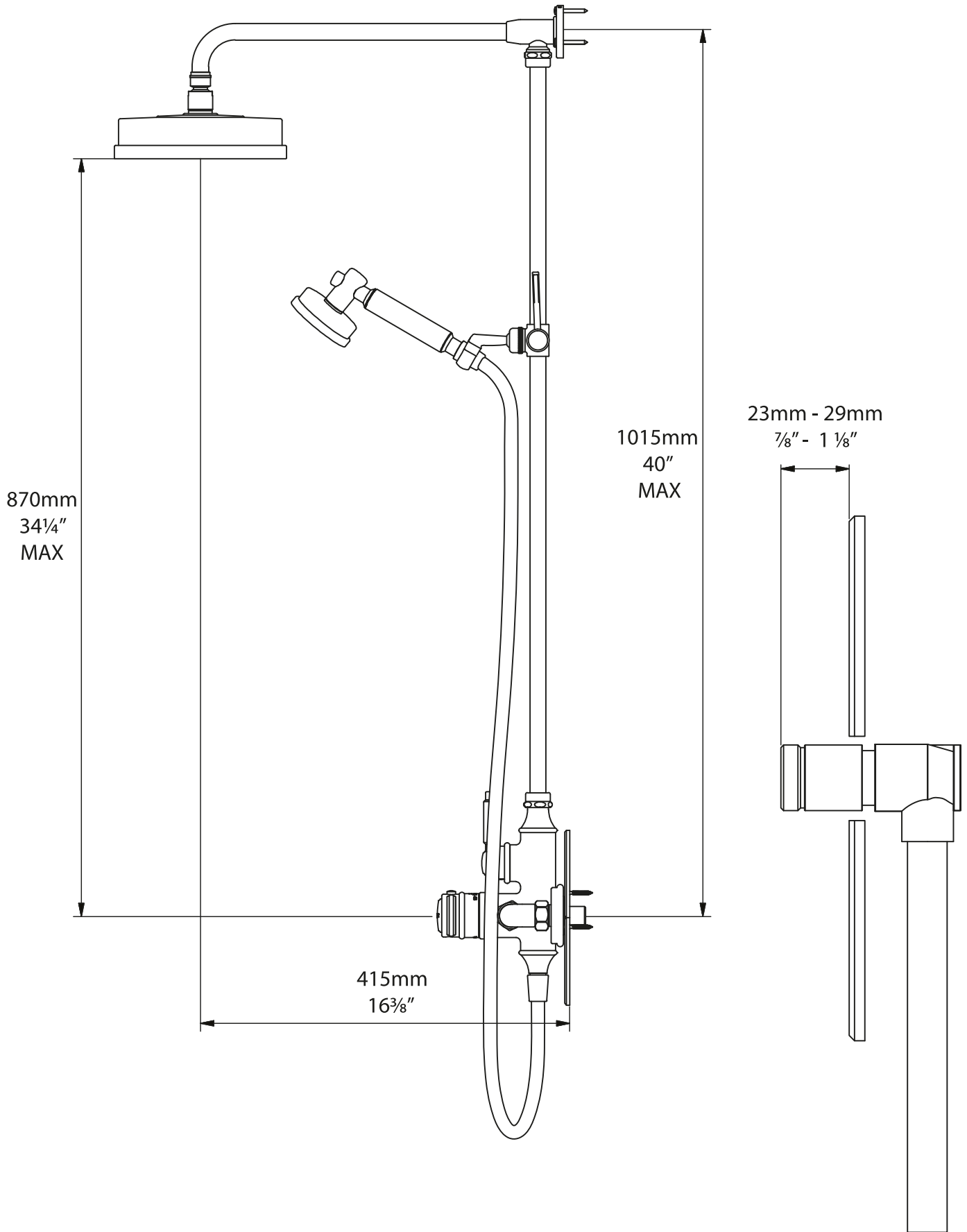


Florin 20

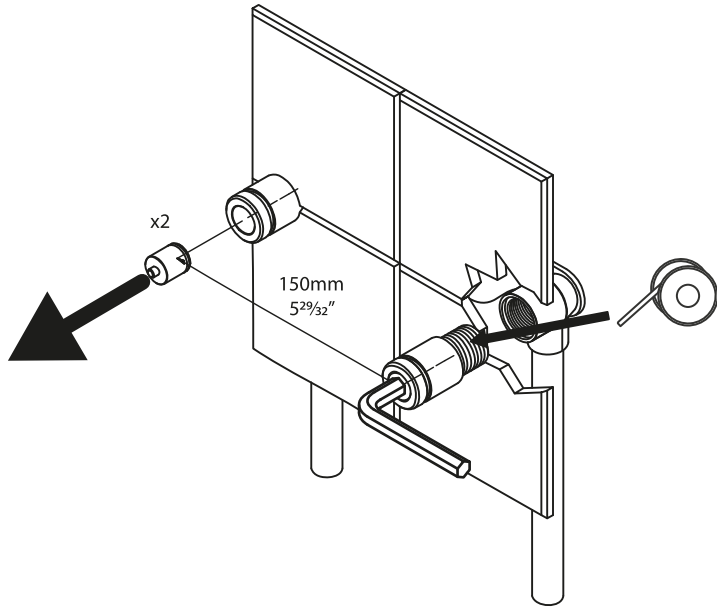


Fitting instructions
Notice d'installation
Instrucciones de montaje
Montageanleitung
Istruzioni di montaggio
Montagehandleiding
Instrukcja montażu
Указания по креплению

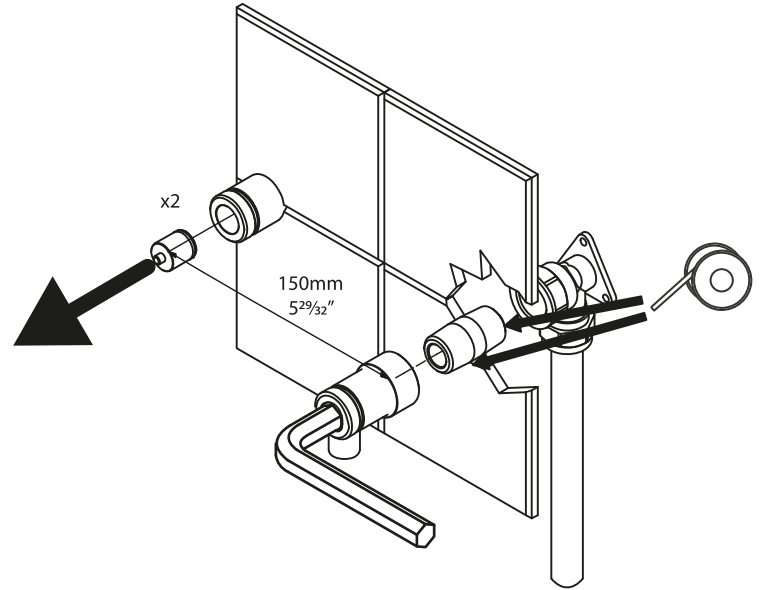




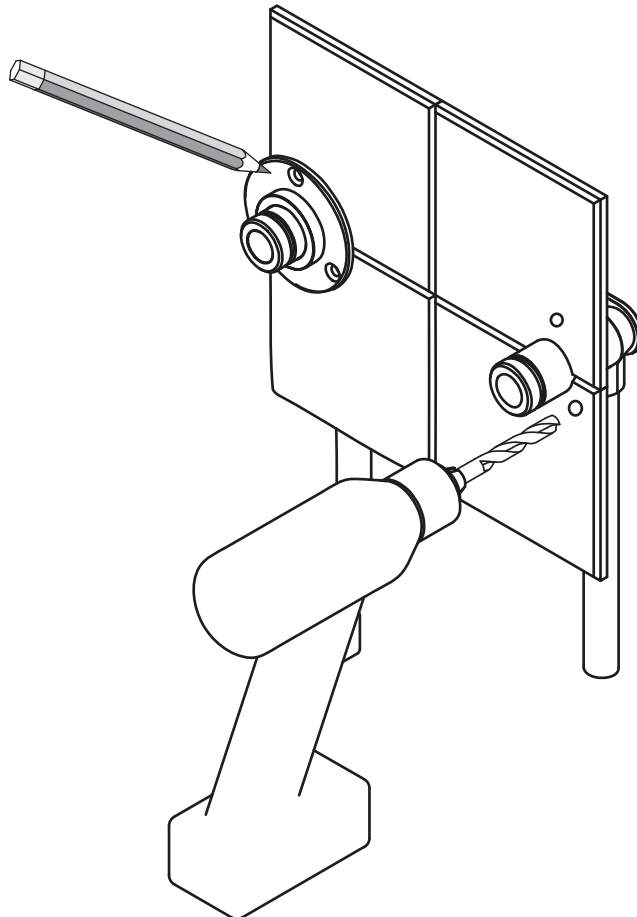
1. UK/EU



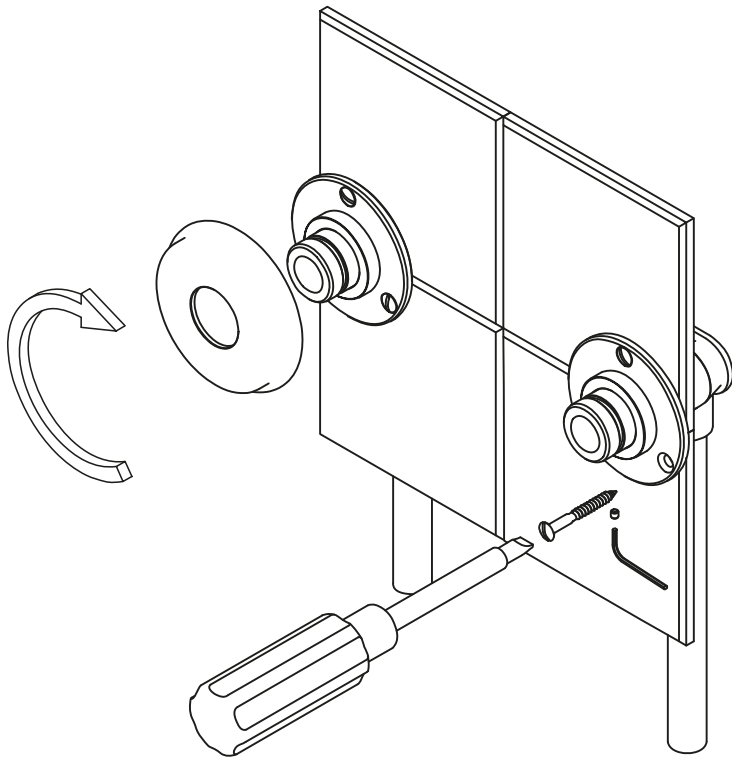
US/CA



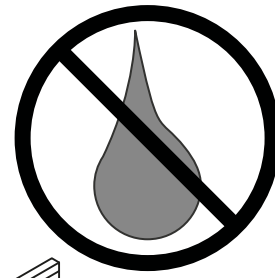
2.



3.



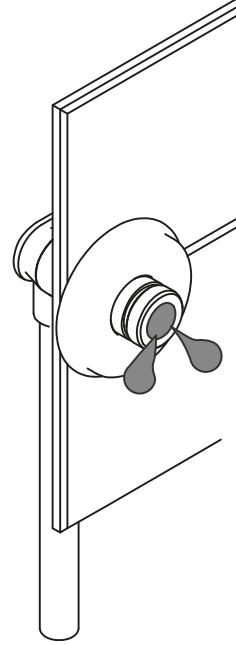
4.



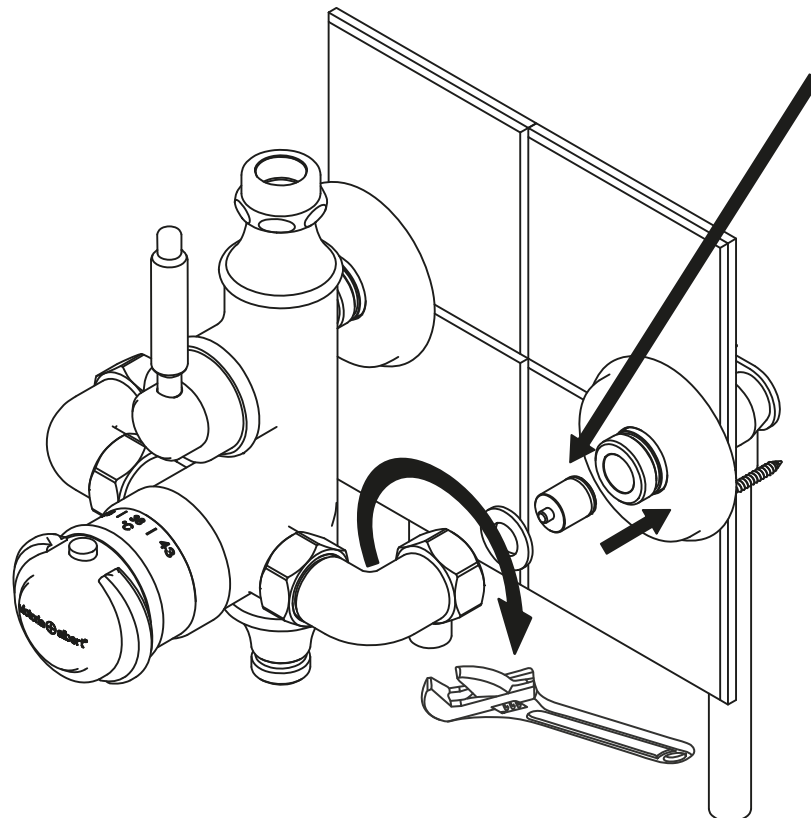
CHECK
COMPROBAR
VERIFER
ÜBERPRÜFEN



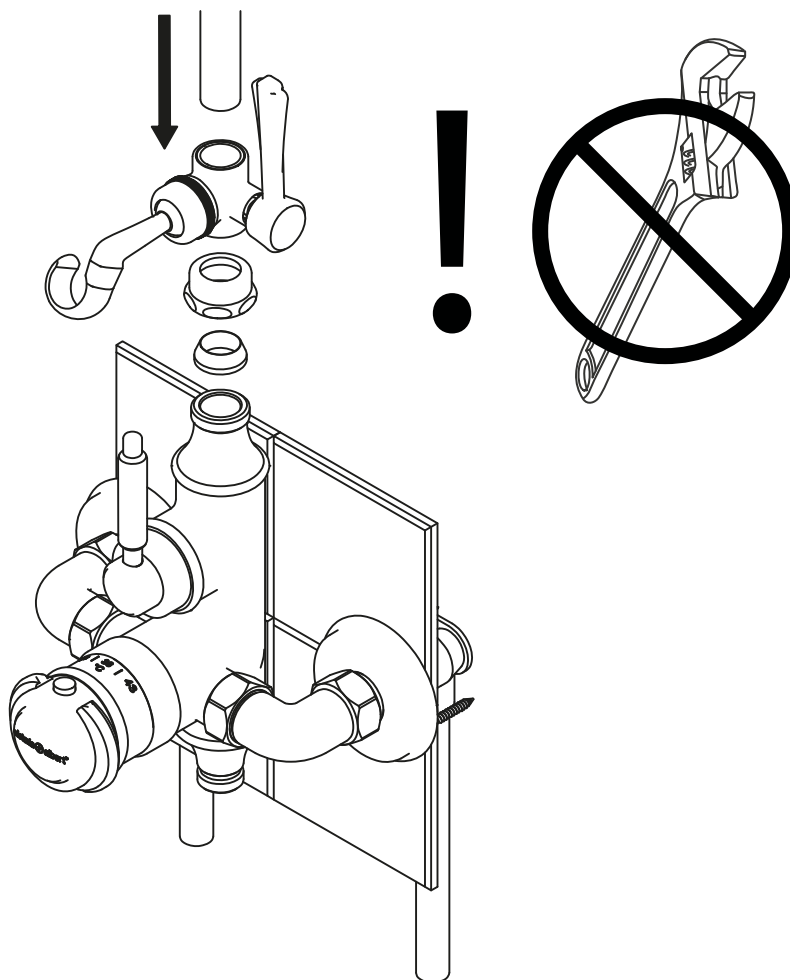
Clean Pipes
Limpia Tuberias
Netoyer La Tuyaterie
Rohre Sauber Machen



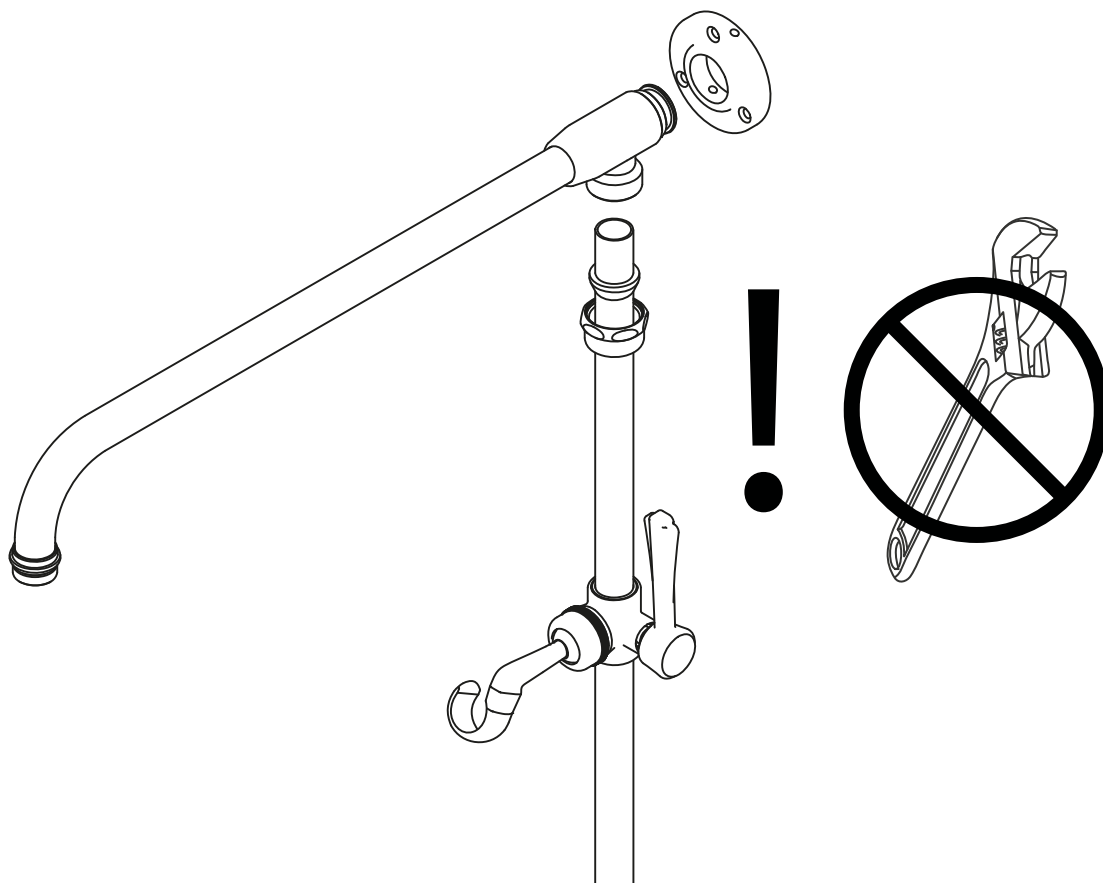
5.



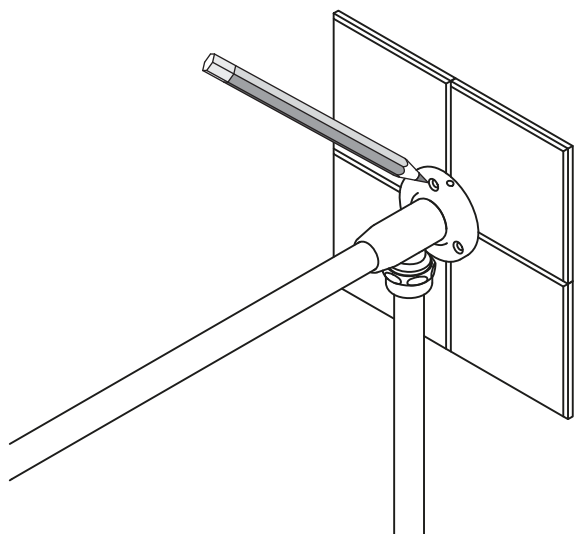
6.



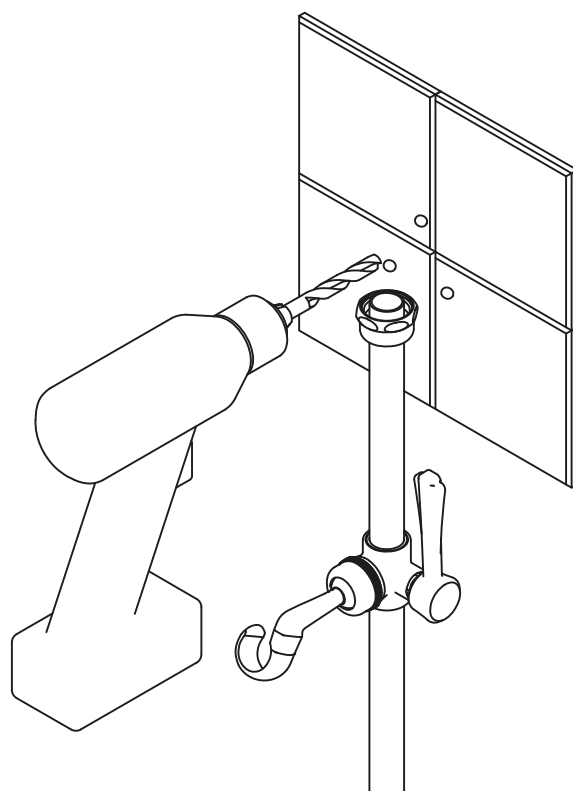
7.



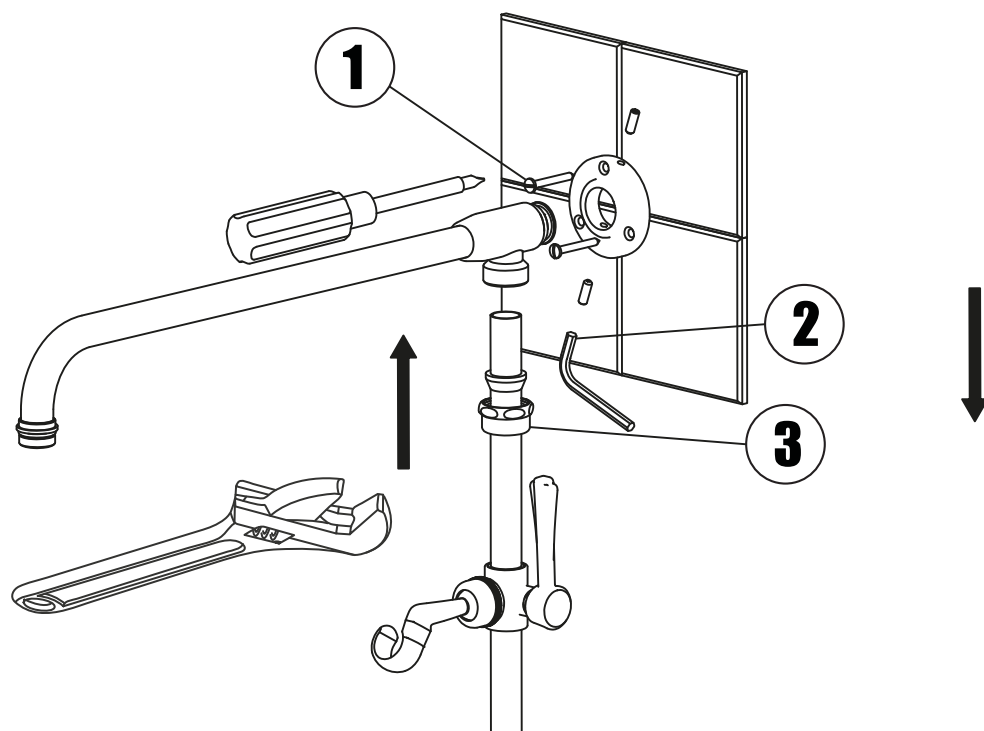
8.



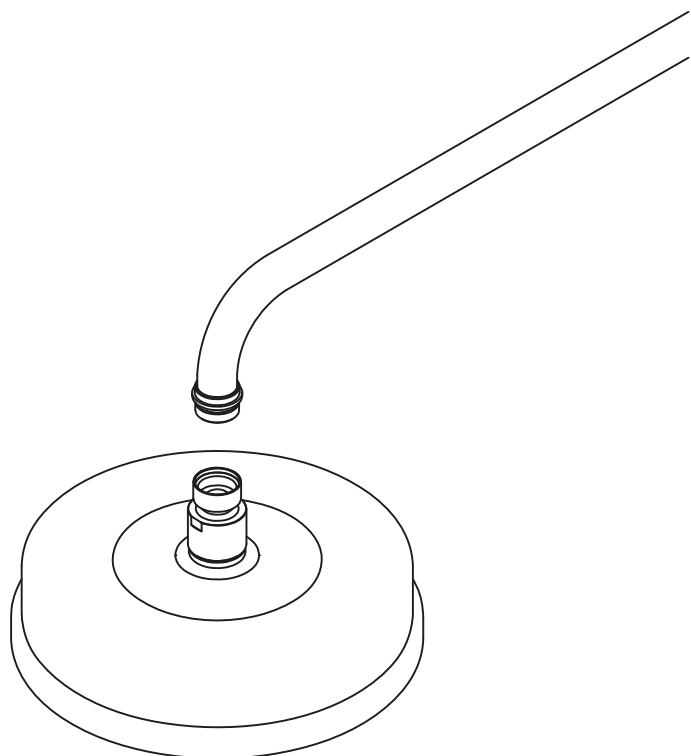
9.



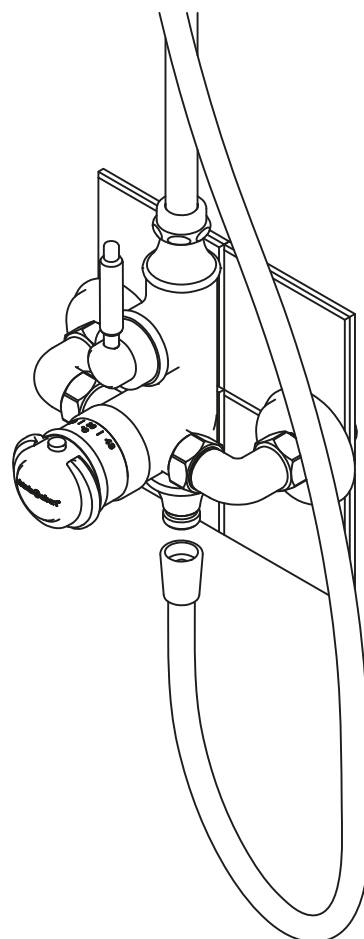
10.



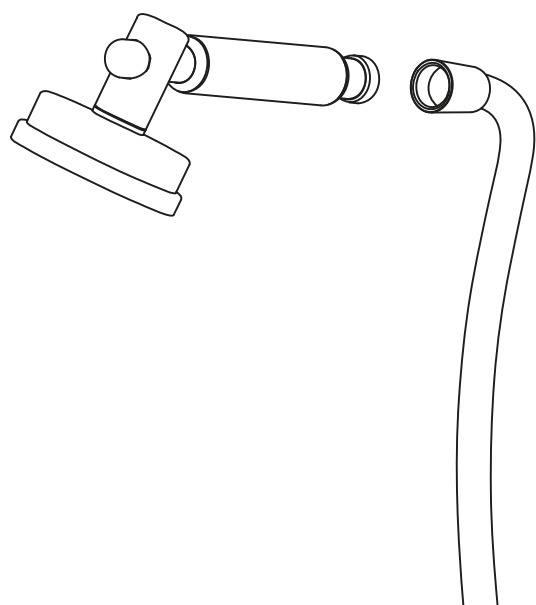
11.



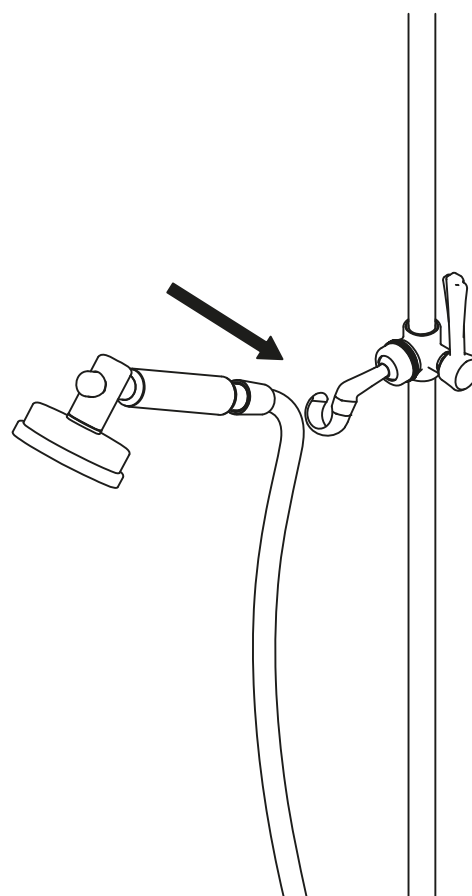
12.



13.

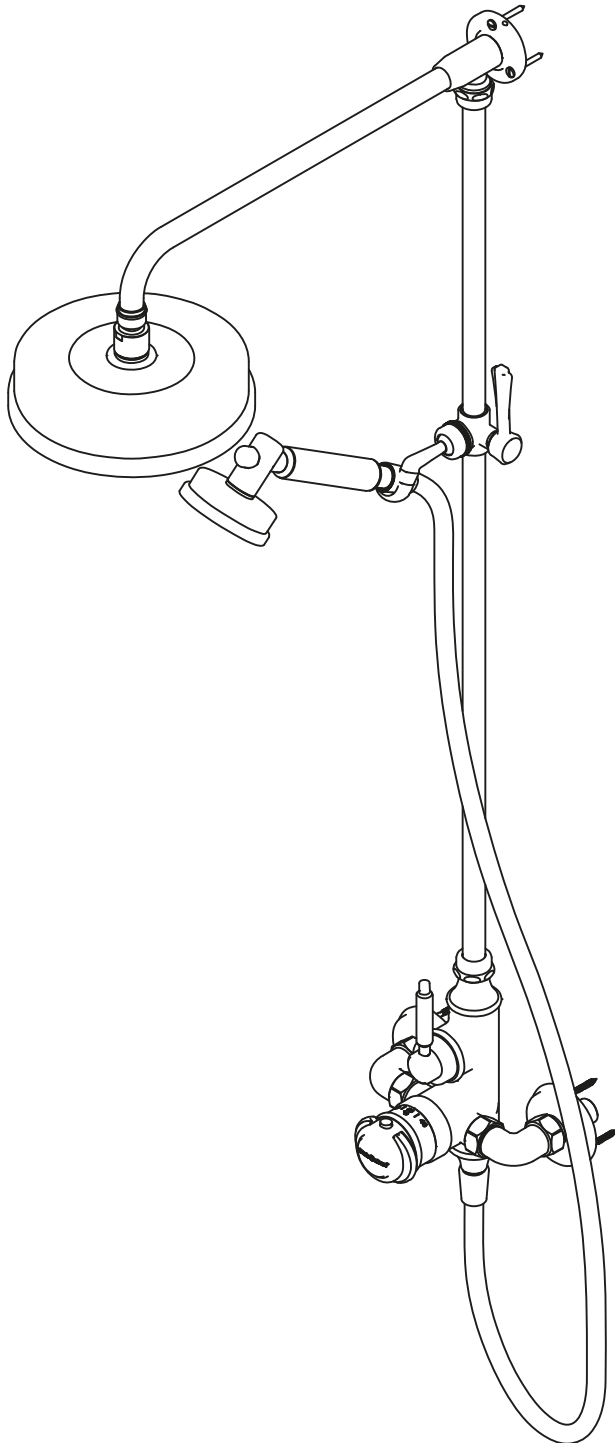


14.

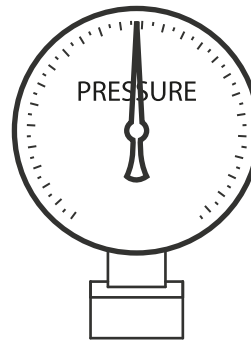




CHECK
COMPROBAR
VERIFER
ÜBERPRÜFEN



UK/EU



1.0 - 5 Bar

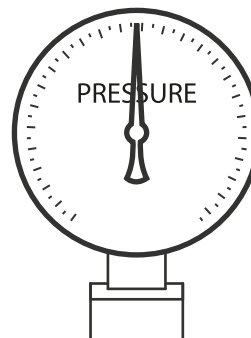
Max 30 L/min @ 3.0 Bar

Max 19 L/min @ 3.0 Bar

Max ratio hot to cold = 5:1



US/CA



14.5 - 72.5 psi

Max ratio hot to cold = 5:1

Max 6.8 L/min (1.8 gpm)

Max 6.8 L/min (1.8 gpm)

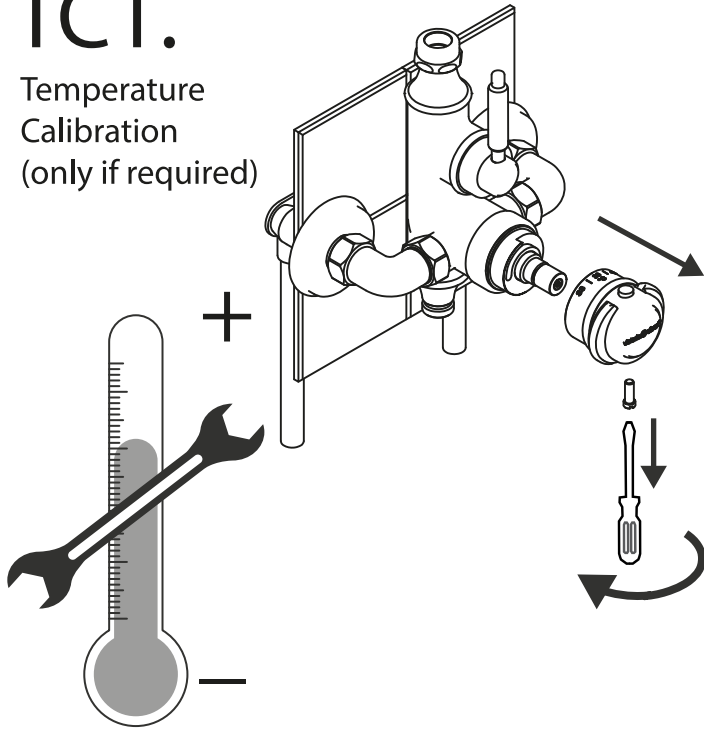
For use with shower heads rated at 6.8 L/min (1.8gpm) or higher

Max temperature outlet 120°F

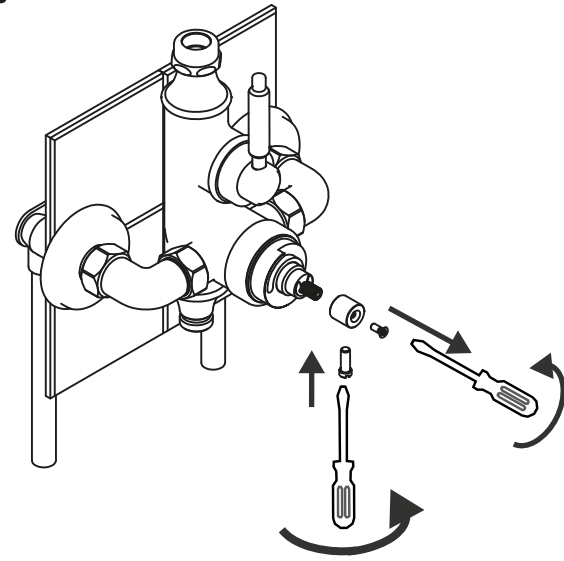


TC1.

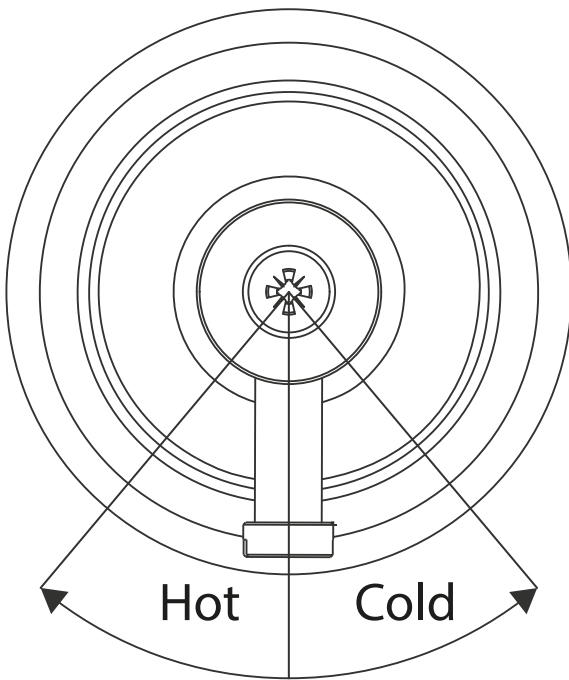
Temperature Calibration
(only if required)



TC2.

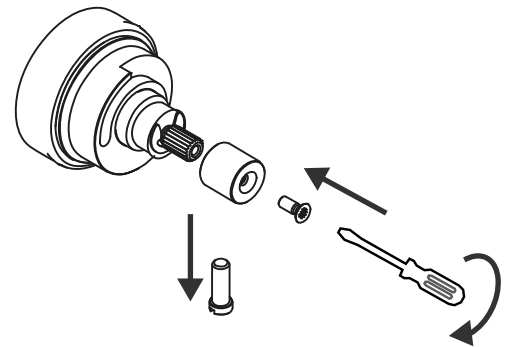


TC3.

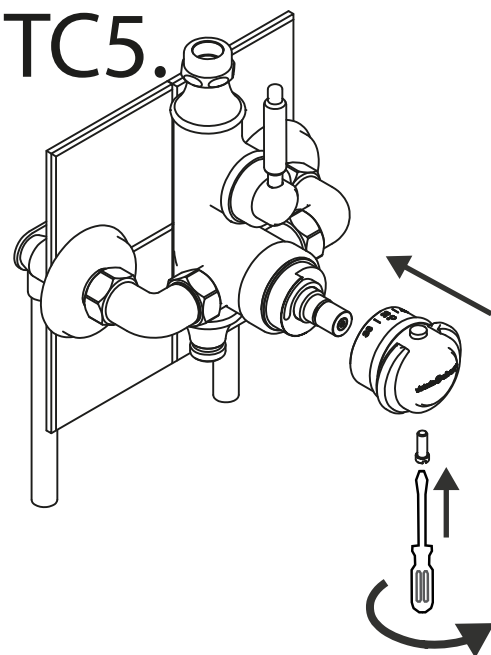


20° = 2°C (4°F)

TC4.



TC5.



- | | | | |
|-----------------------------|----------------------------|------------------------|---------------------------------|
| 1. Handset | 11. Screw | 21. Therm Cartridge | 31. Elbow (x2) |
| 2. 8" Rose | 12. Spring | 22. Plastic Spacer | 32. Check Valve (x3) |
| 3. Hose | 13. Temp Handle | 23. Trim Ring | 33. Wall Union (x2) |
| 4. Slider | 14. Temp Button | 24. Diverter Cartridge | 34. Wall Plate Cover (x2) |
| 5. Rise Wall Plate Assembly | 15. Stop Pin | 25. Grub Screw | 35. Wall Plate (x2) |
| 6. Horizontal Arm | 16. Screw (x2) | 26. Top Cap | 36. Screws (x6) |
| 7. O ring | 17. Cartridge Adapter (x2) | 27. O ring (x2) | 37. O ring (x2) |
| 8. Olive (x2) | 18. Diverter Handle | 28. Valve Body | 38. Grub Screw (x2) |
| 9. Nut (x2) | 19. Temp Stop Ring | 29. Bottom Cap | 39. Flow Limiter (x2) (US Only) |
| 10. Riser | 20. Cartridge Nut (x2) | 30. Flat Washer (x4) | |

