

# Florin FLO15

Fitting instructions

Notice d'installation

Instrucciones de montaje

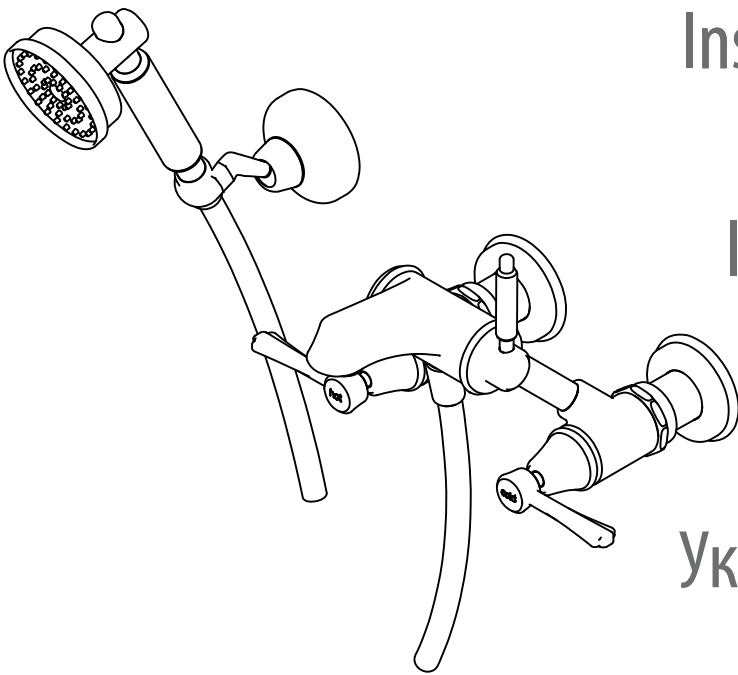
Montageanleitung

Istruzioni di montaggio

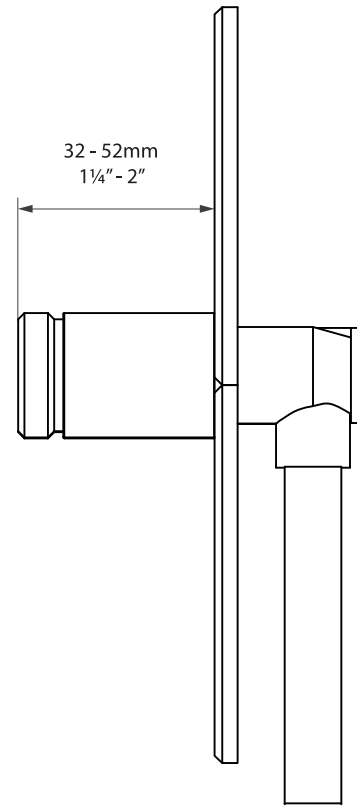
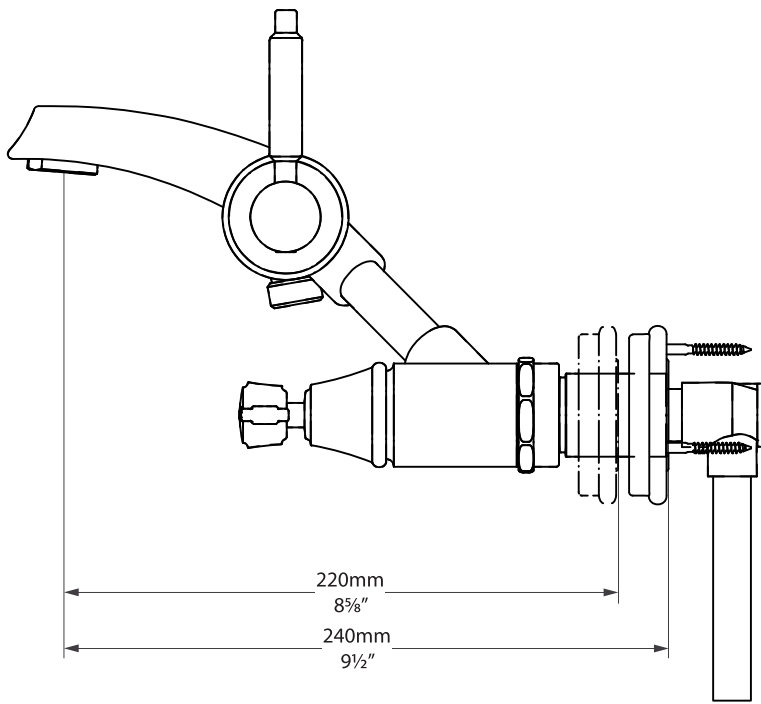
Montagehandleiding

Instrukcja montażu

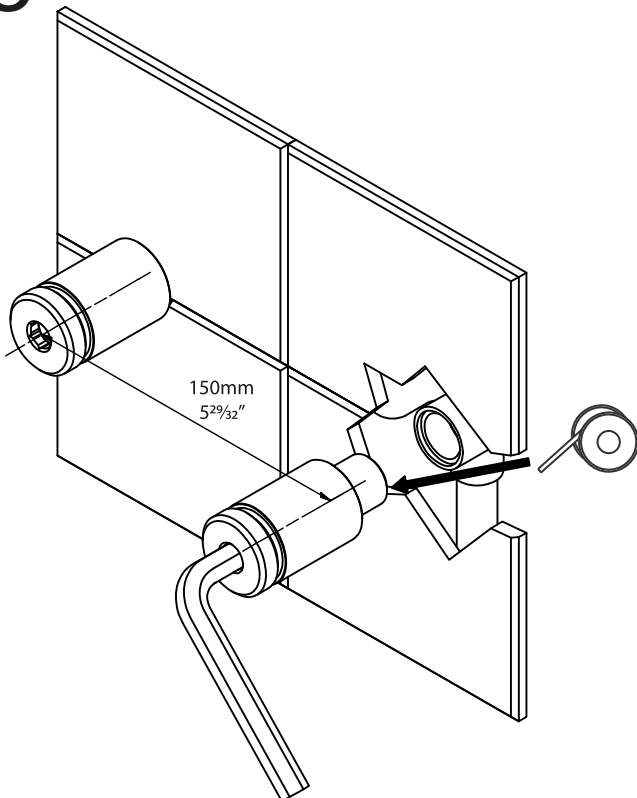
Указания по креплению



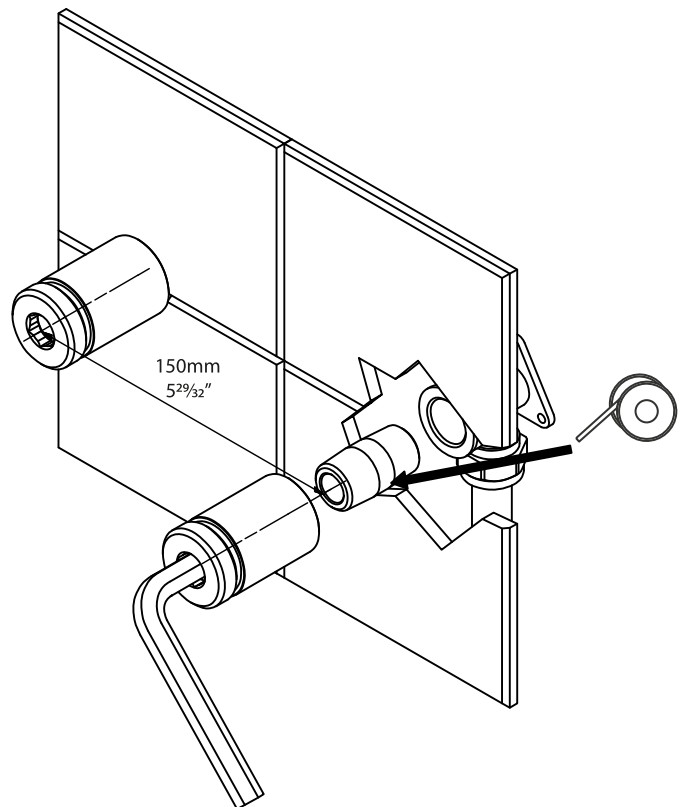
## 1.



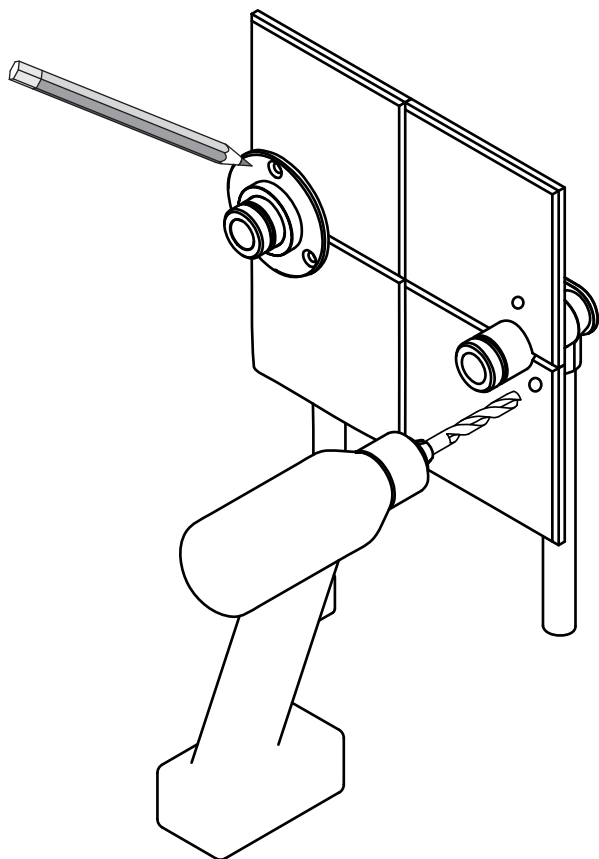
## EU



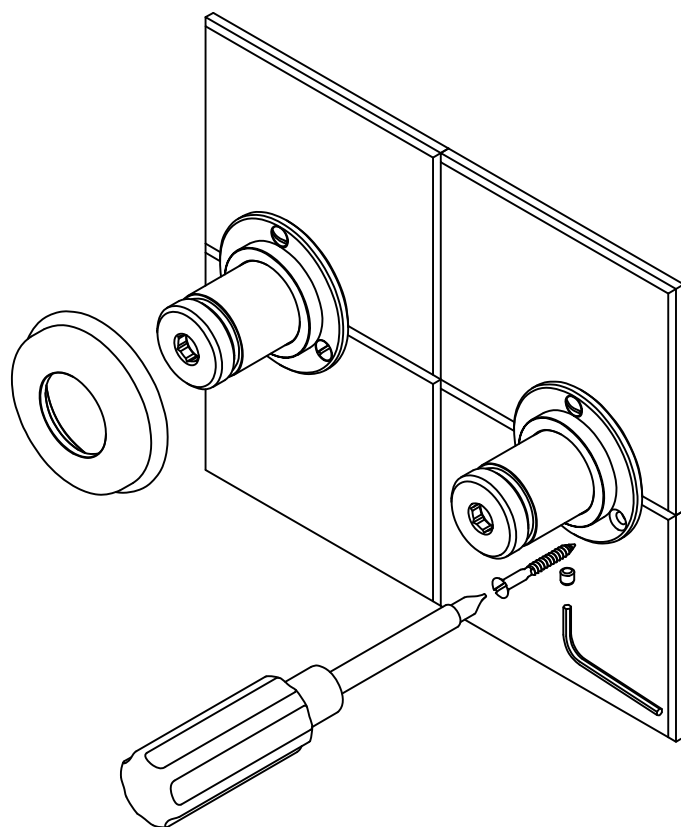
## US



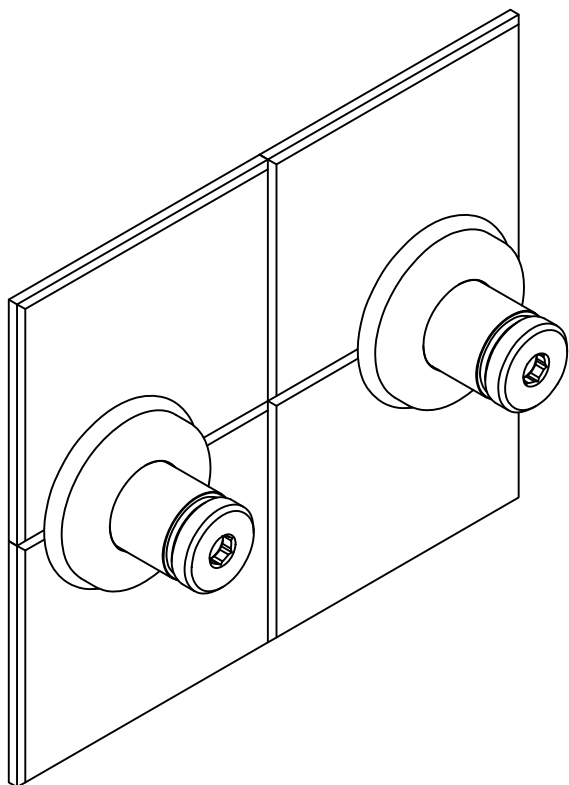
2.



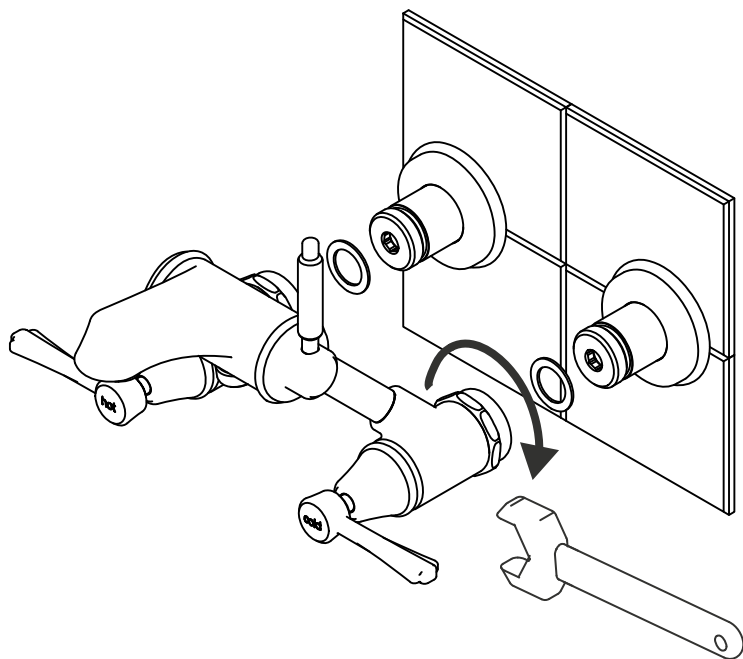
3.



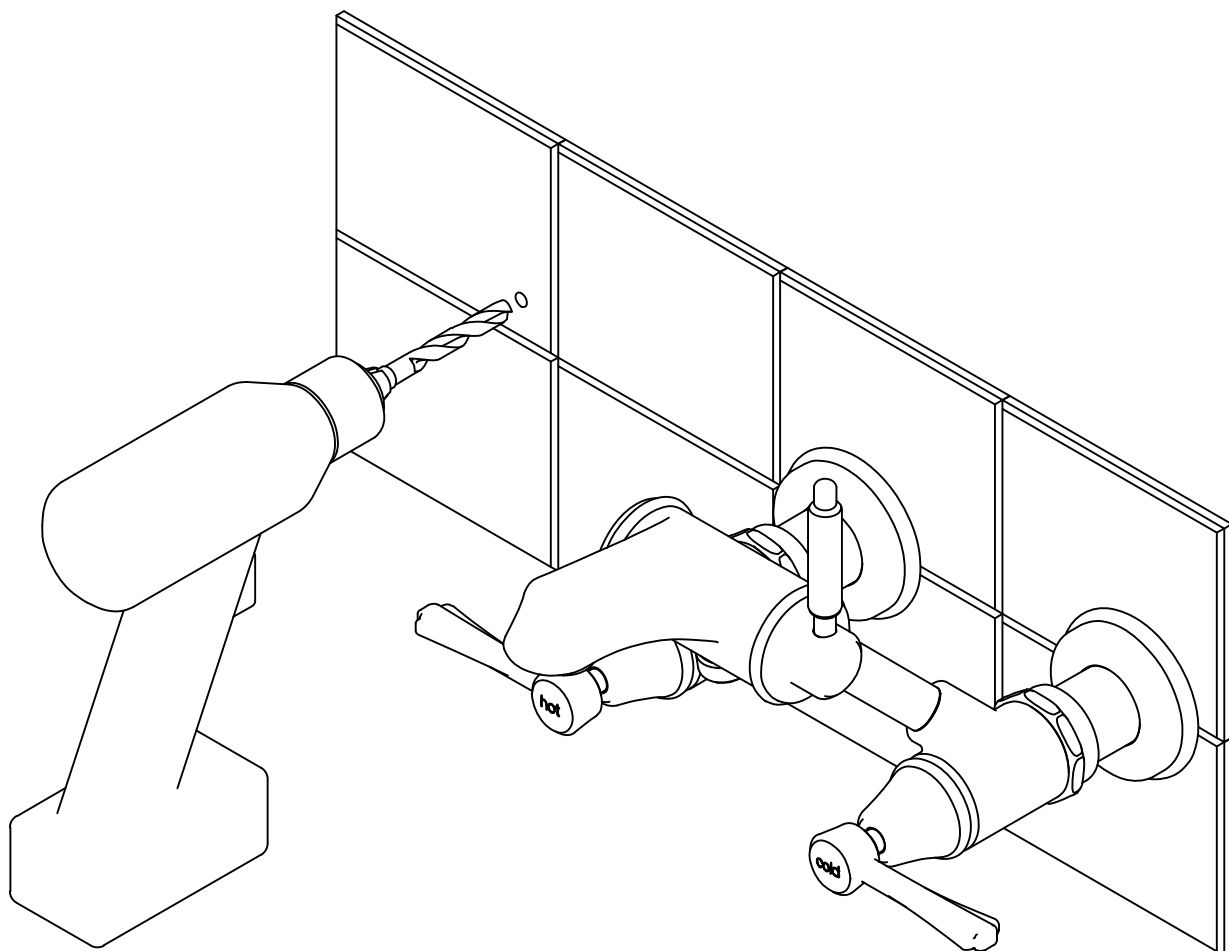
4.



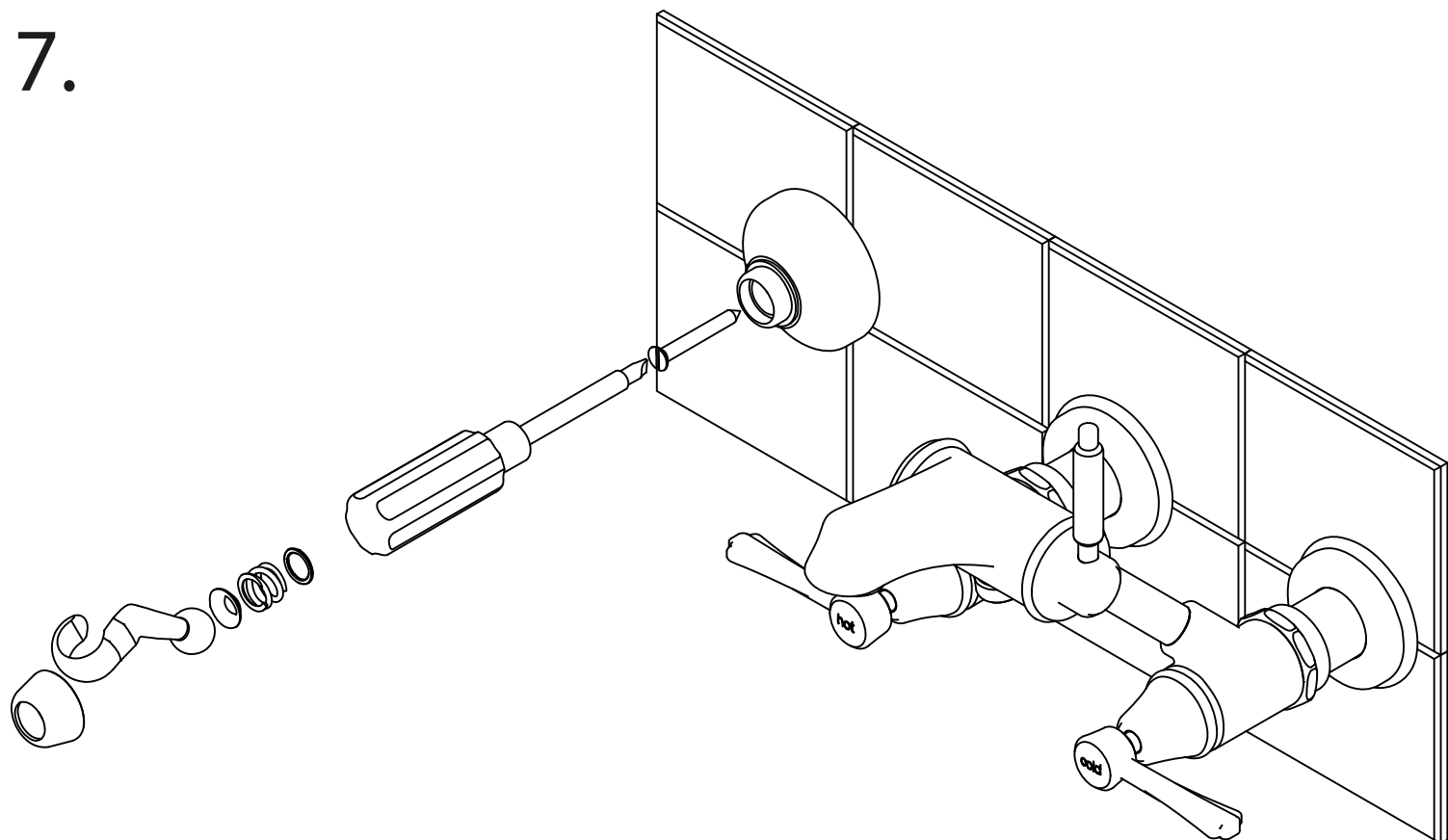
5.



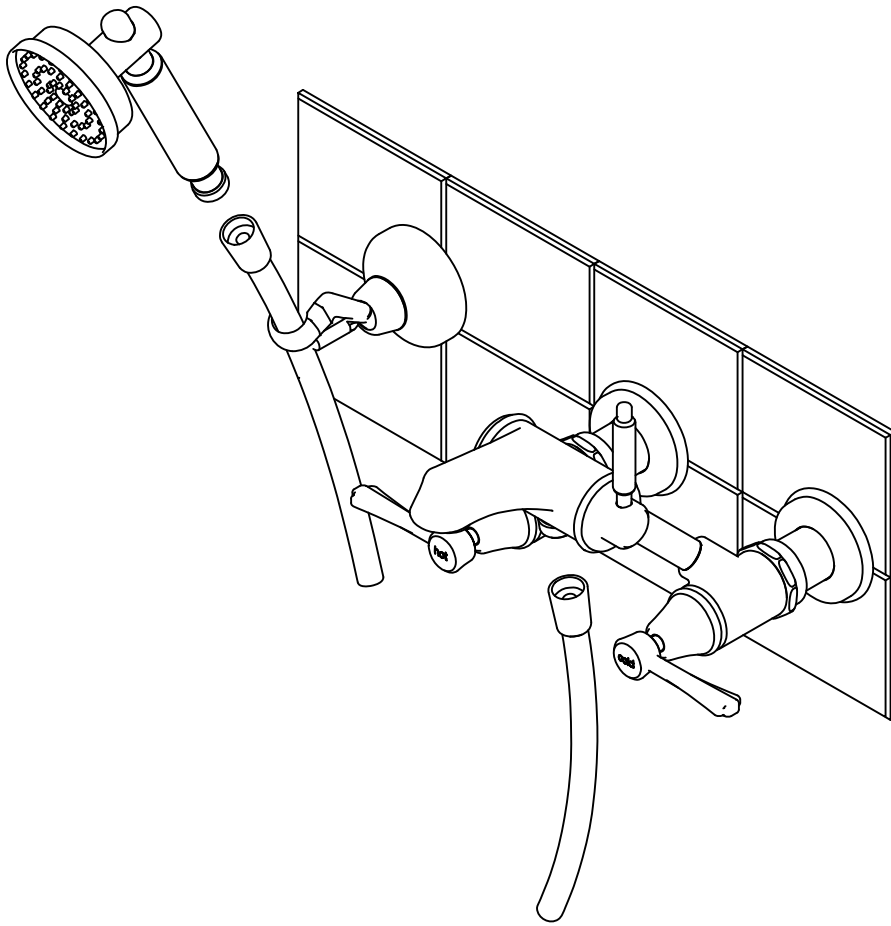
6.



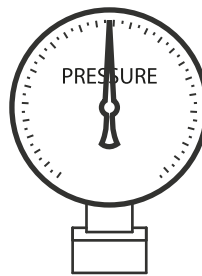
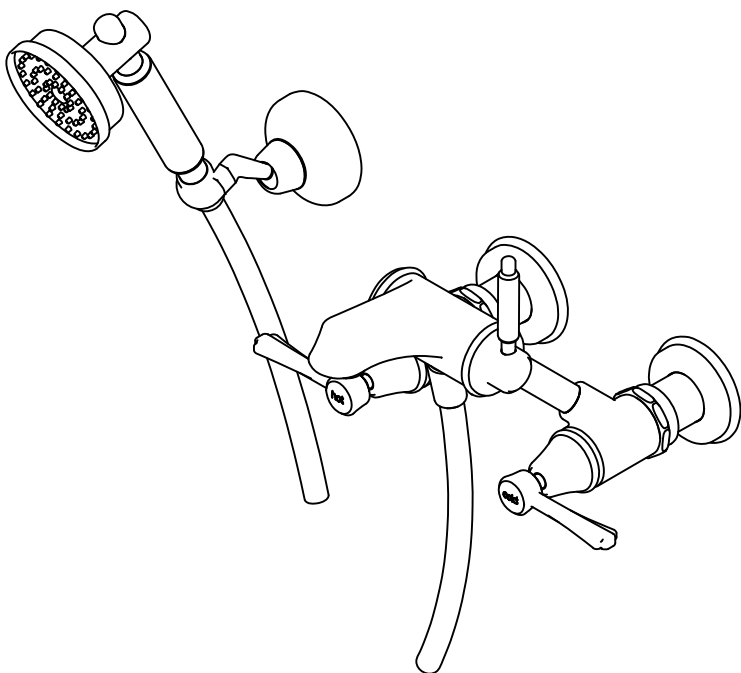
7.



8.



CHECK  
COMPROBAR  
VERIFER  
ÜBERPRÜFEN



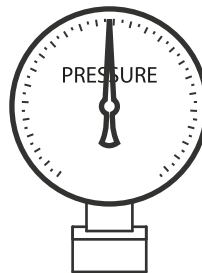
**UK/EU**

1 - 5 bar

Max 32 L/min @ 3.0 bar



Max 18 L/min



**US/CA**

7.5 - 72.5 psi

Max 8.5 gpm @ 45 psi



Max 7.5 L/min (2.0 gpm)



ASSE 1070 unit must be installed  
at HOT SIDE INLET (not included)

Max temp outlet 120°F

- |                       |                      |                     |
|-----------------------|----------------------|---------------------|
| 1. Handset Holder     | 11. Wall Plate (x2)  | 21. O ring          |
| 2. Cartridge Adaptor  | 12. Wall Shroud      | 22. Screw (x6)      |
| 3. Adaptor            | 13. Grub Screw       | 23. Screw           |
| 4. 1/4 Turn Cartridge | 14. Handset          | 24. Screw           |
| 5. Cold Handle        | 15. Hose             | 25. Aerator         |
| 6. Hot Handle         | 16. Cartridge Nut    | 26. Main Body       |
| 7. Screw              | 17. Captive Nut (x2) | 27. Wall Union (x2) |
| 8. Cold Handle        | 18. O ring           | 28. Diverter Handle |
| 9. Hot Handle         | 19. O ring           | 29. Valve seat      |
| 10. Non Return Valve  | 20. O ring           | 30. Washer          |

