

# Staffordshire STA-09

Fitting instructions

Notice d'installation

Instrucciones de montaje

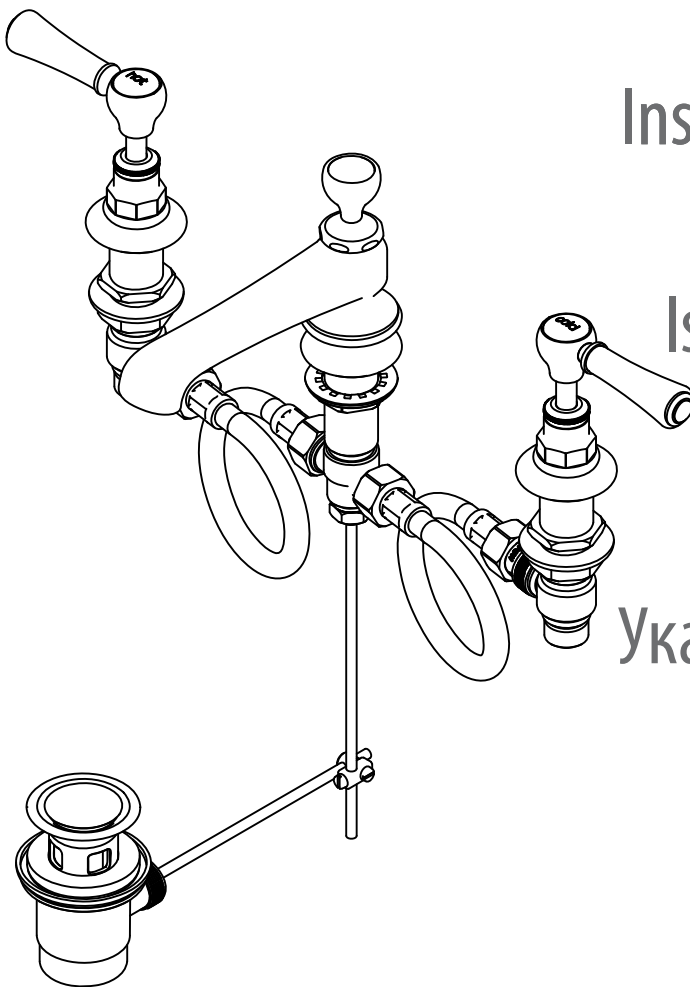
Montageanleitung

Istruzioni di montaggio

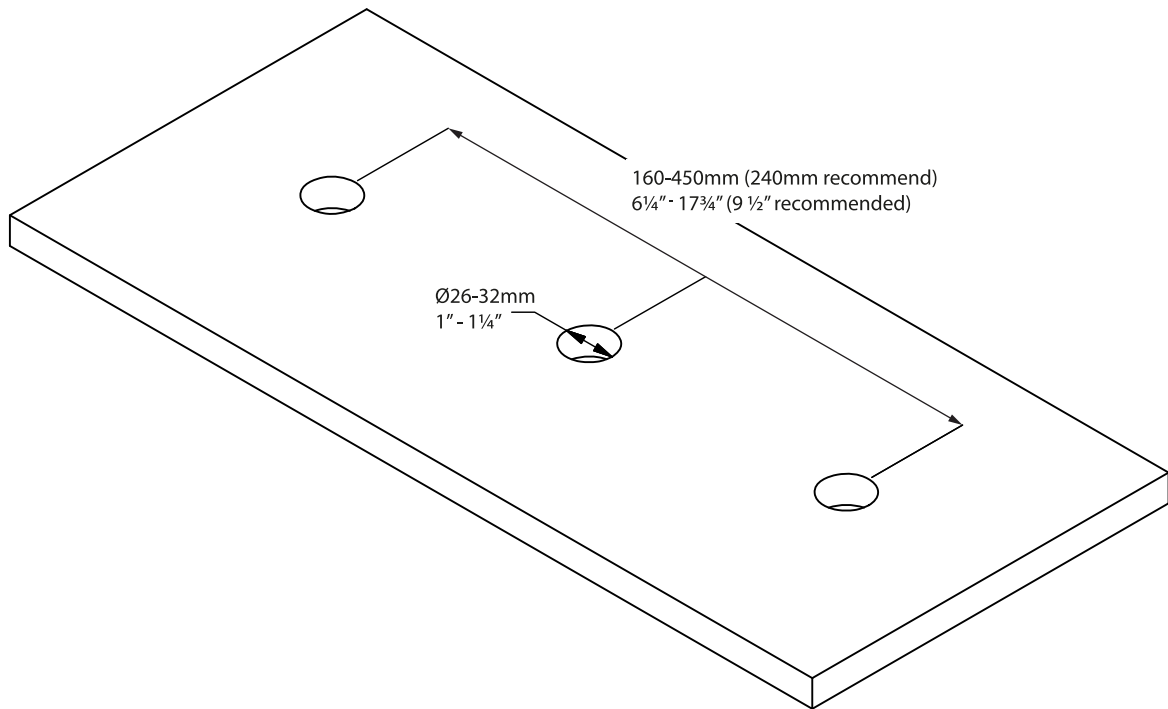
Montagehandleiding

Instrukcja montażu

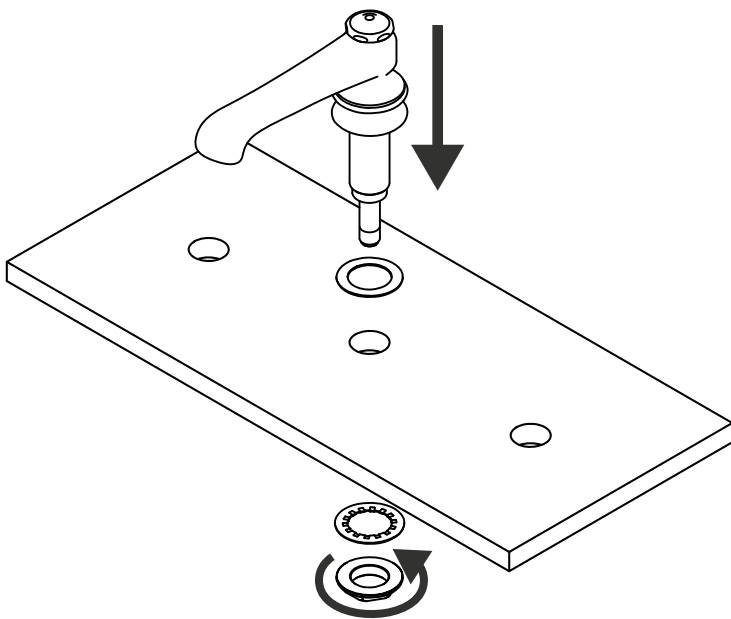
Указания по креплению



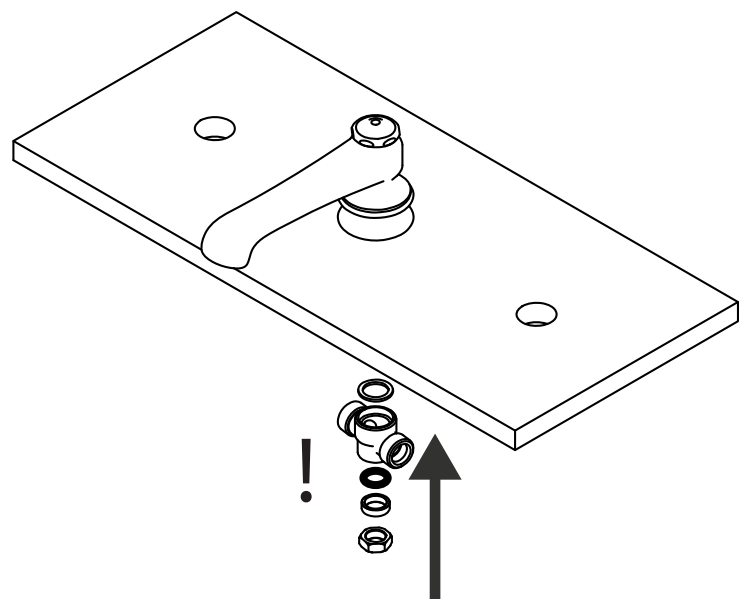
1.



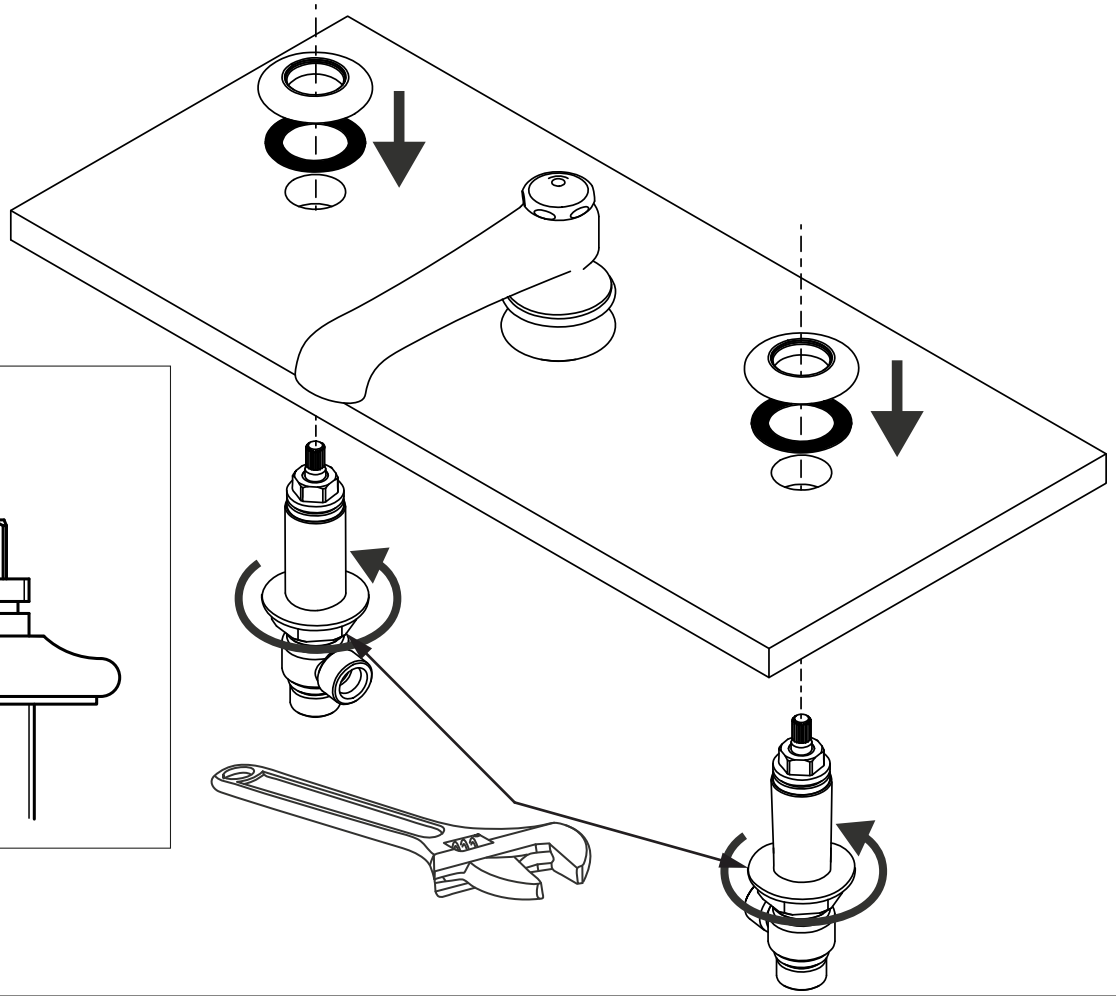
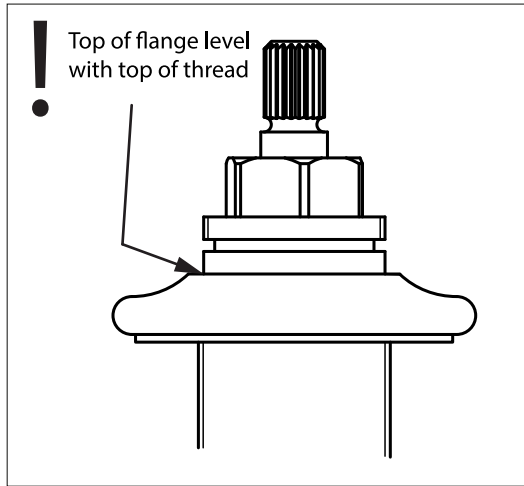
2.



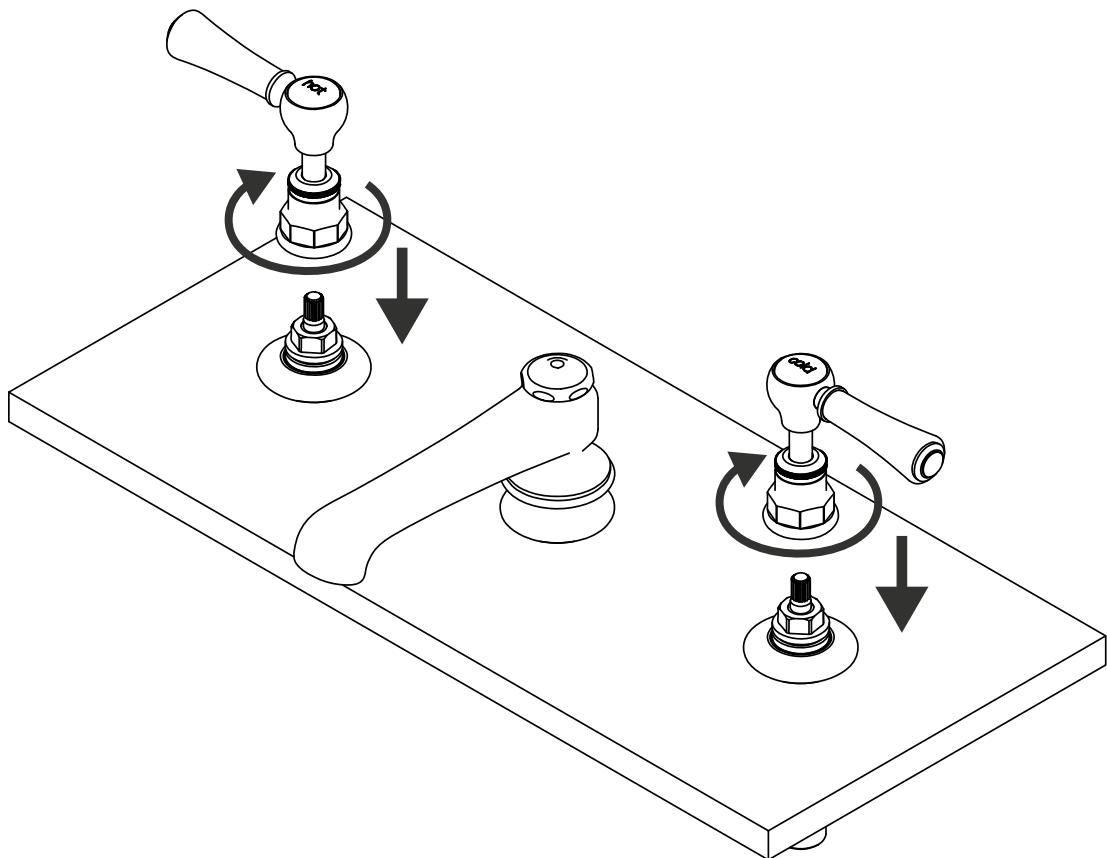
3.



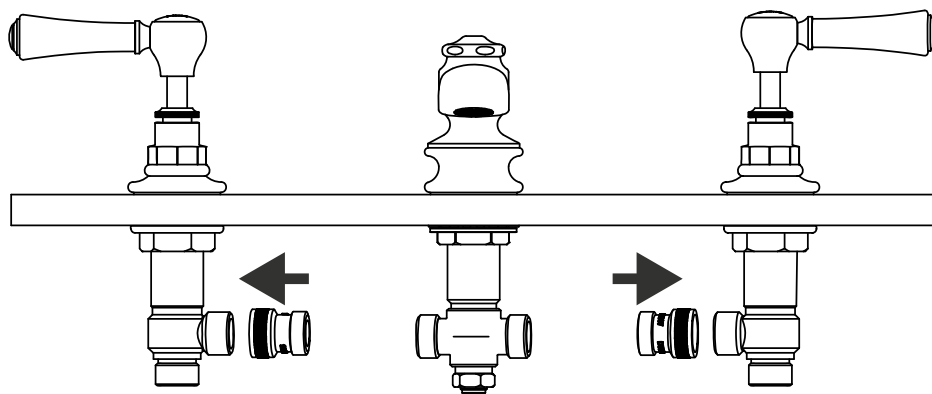
4.



5.

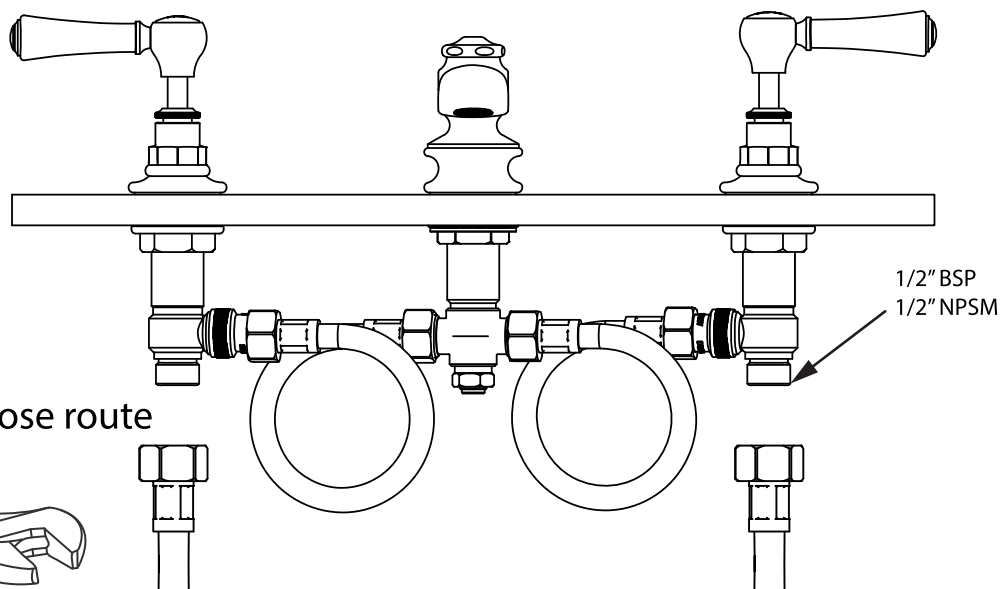


6.  
! EU Only

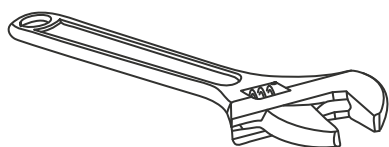


7.

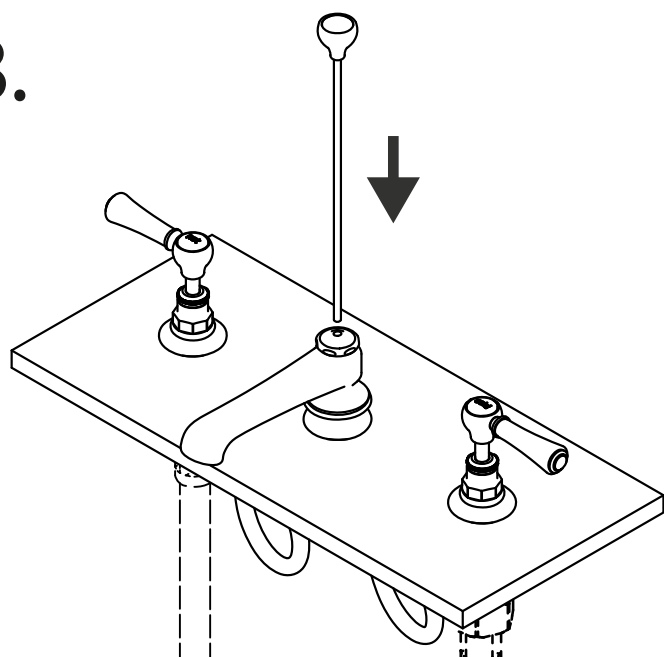
Clean Pipes  
Limpiar Tuberias  
Nettoyer la tuyauterie  
Rohre säubern



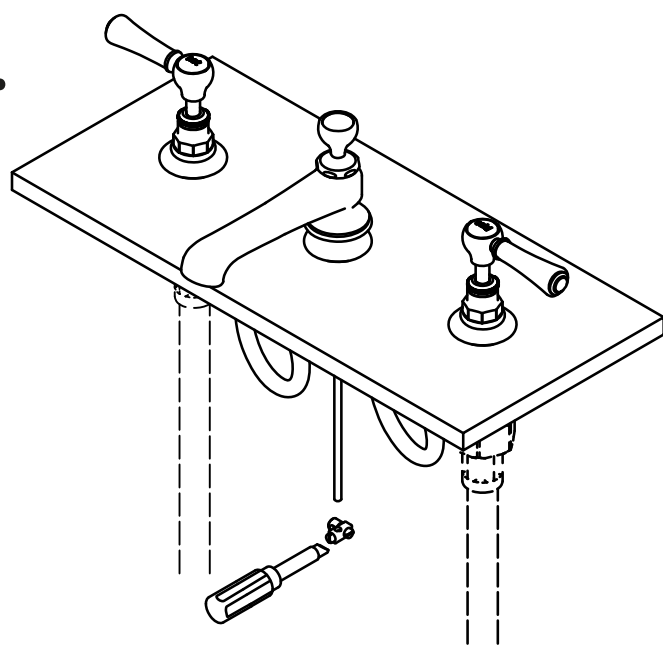
Example of hose route



8.

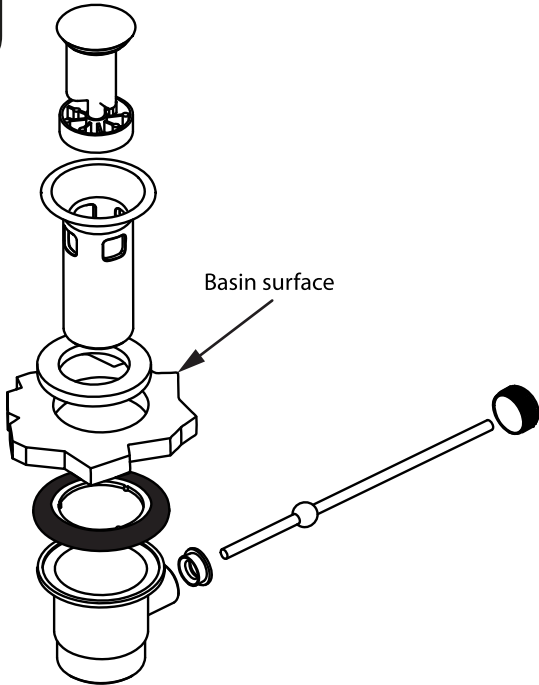


9.

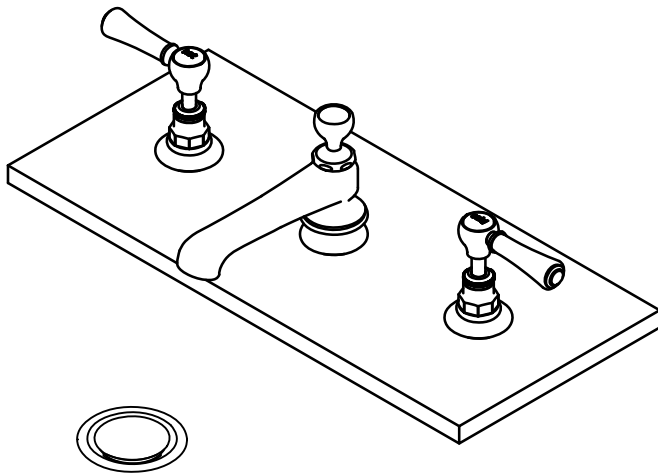
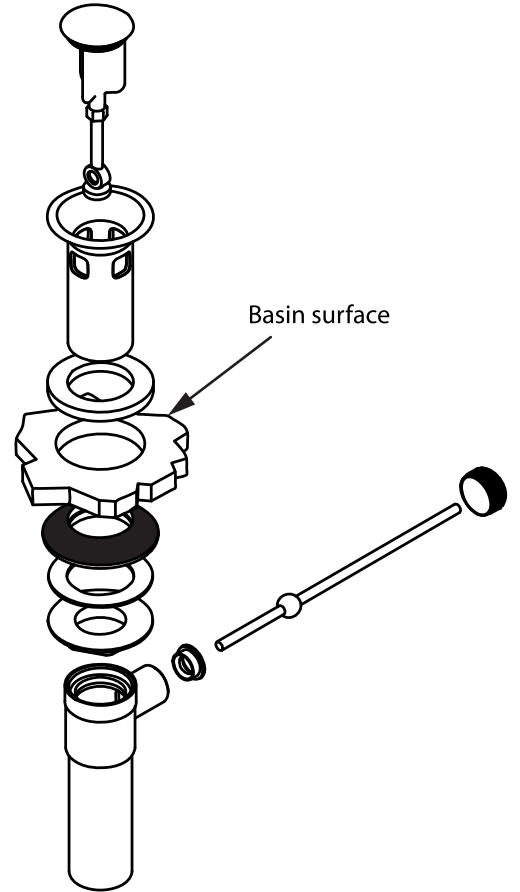


10.


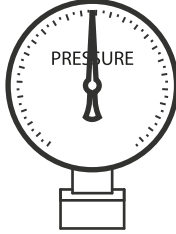
EU



US



CHECK  
COMPROBAR  
VERIFER  
ÜBERPRÜFEN

	<b>UK/EU</b> 1 - 5 Bar Max 19 L/min @ 3.0 Bar
	<b>US/CA</b> 14.5 - 72.5 psi Max 1.2 gpm @ 60 psi

- |                                     |                          |
|-------------------------------------|--------------------------|
| 1. 1/4 Turn Cartridge (hot or cold) | 11. Rod Connector        |
| 2. Flange (x2)                      | 12. Rod with Knob        |
| 3. Washer (x2)                      | 13. Handle (hot or cold) |
| 4. Side Body Valve                  | 14. Spout and Body       |
| 5. Check Valve (EU only)            | 15. Aerator              |
| 6. Flexible Connctor (x2)           | 16. Washer               |
| 7. O ring (x2)                      | 17. Metal Washer         |
| 8. Spacer                           | 18. Nut                  |
| 9. Nut                              | 19. O ring               |
| 10. Waste Assembly                  | 20. Manifold             |

