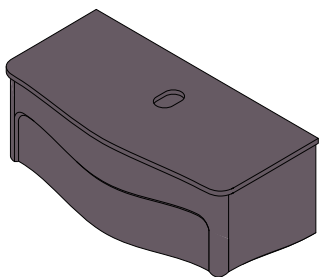
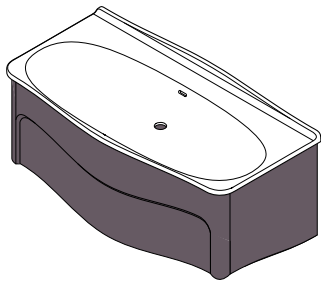
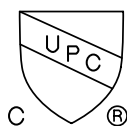


Mandello

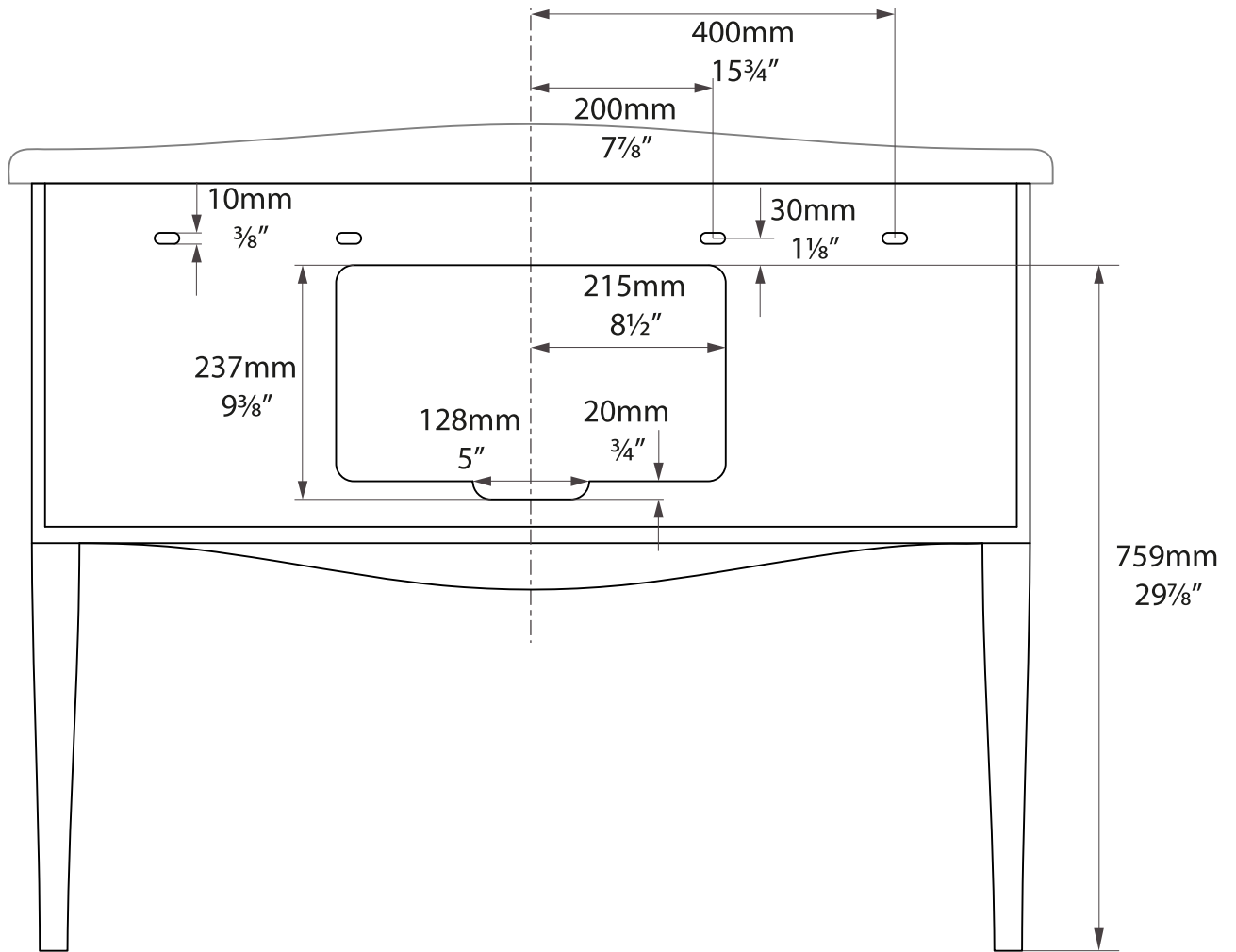


Fitting instructions
Notice d'installation
Instrucciones de montaje
Montageanleitung
Istruzioni di montaggio
Montagehandleiding
Instrukcja montażu
Указания по креплению



rich in
volcanic
limestone

MAN-N-114-xx-IO/MAN-1TH-100-xx-IO/MAN-3TH-100-xx-IO
MANV-N-114-xx-IO/MANV-1TH-100-xx-IO/MANV-3TH-114-xx-IO
MANVG-N-114-xx/MANVG-1TH-100-xx-IO/MANVG-1TH-114-xx

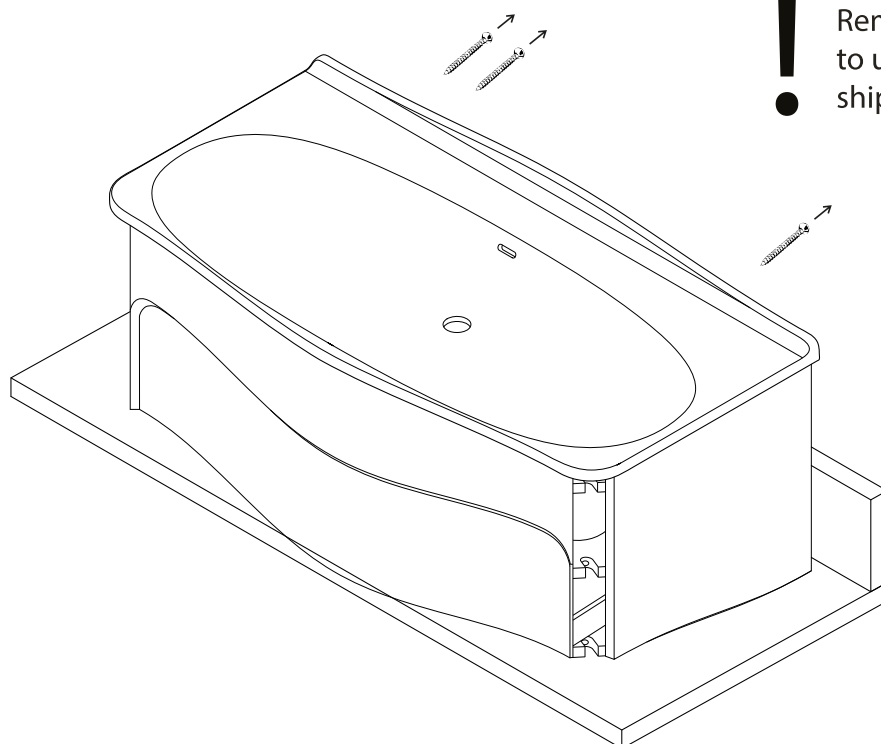


*All measurements subject to +/- 5% tolerance

- ! Check wall is sufficient to take weight and use the appropriate fixings (not supplied). Wall may need to be reinforced
- Victoria and Albert Baths recommend coach screws where possible when wall hung

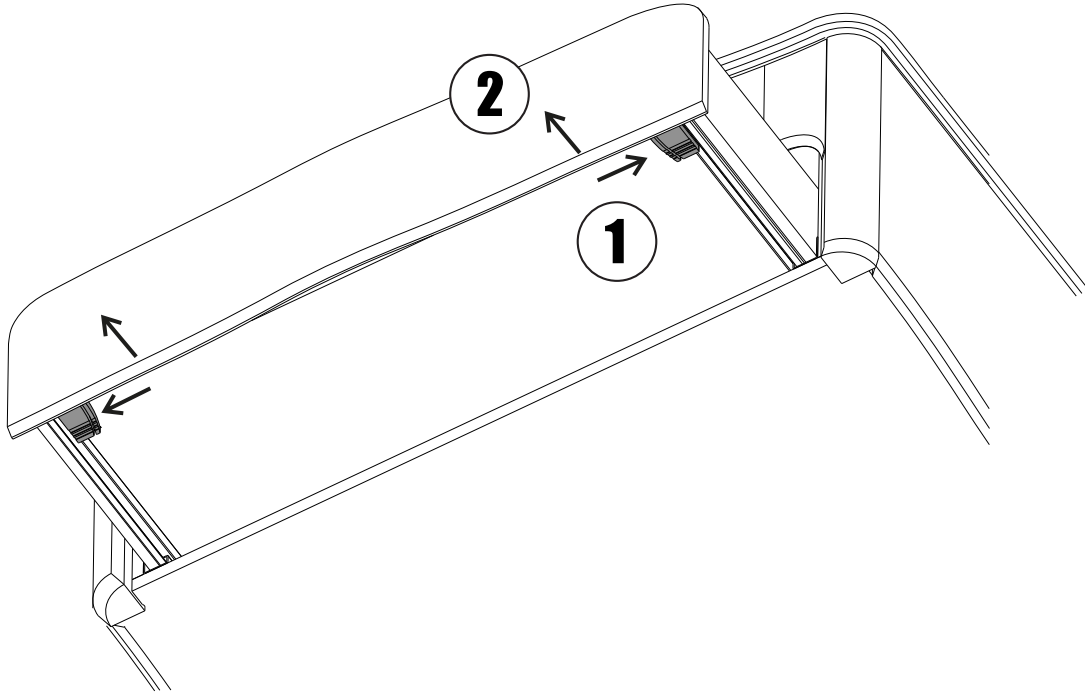


1.

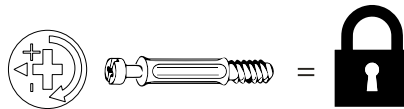
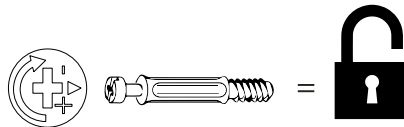
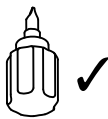
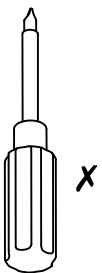
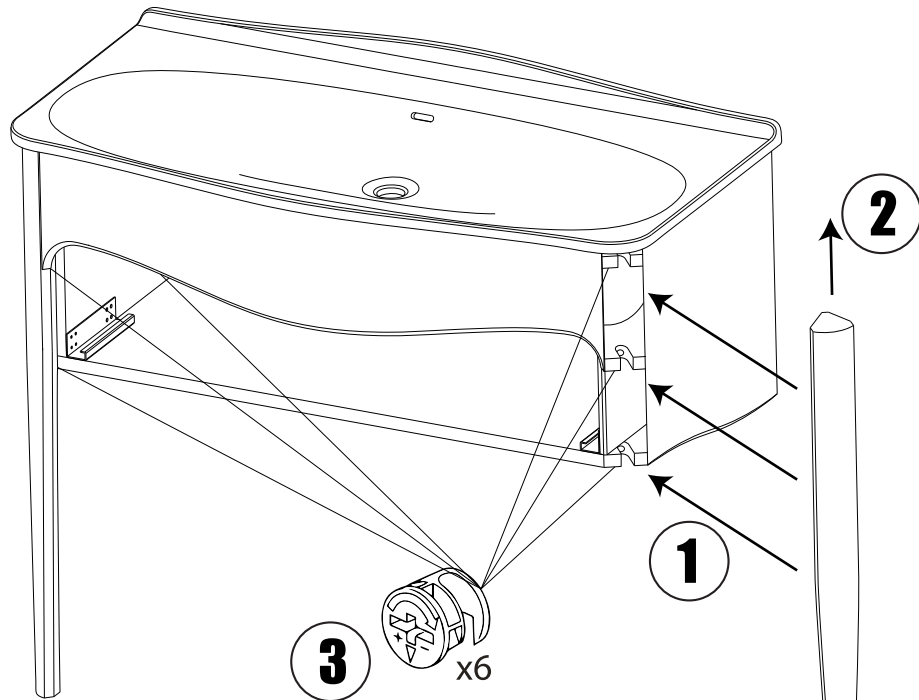


- ! Remove x3 security screws to unlock drawer and release shipping frame
-

2.

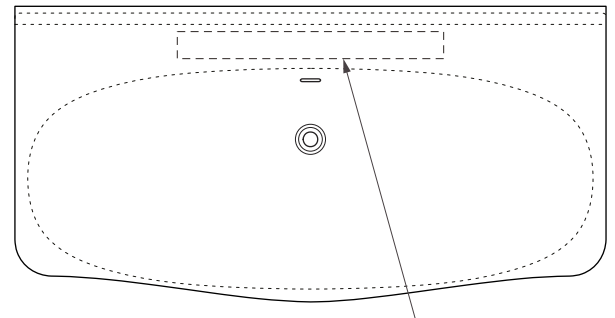
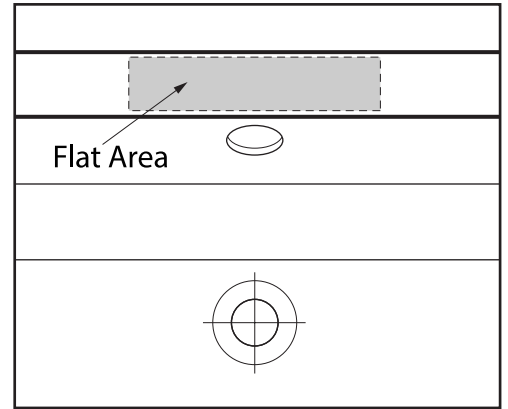


3.

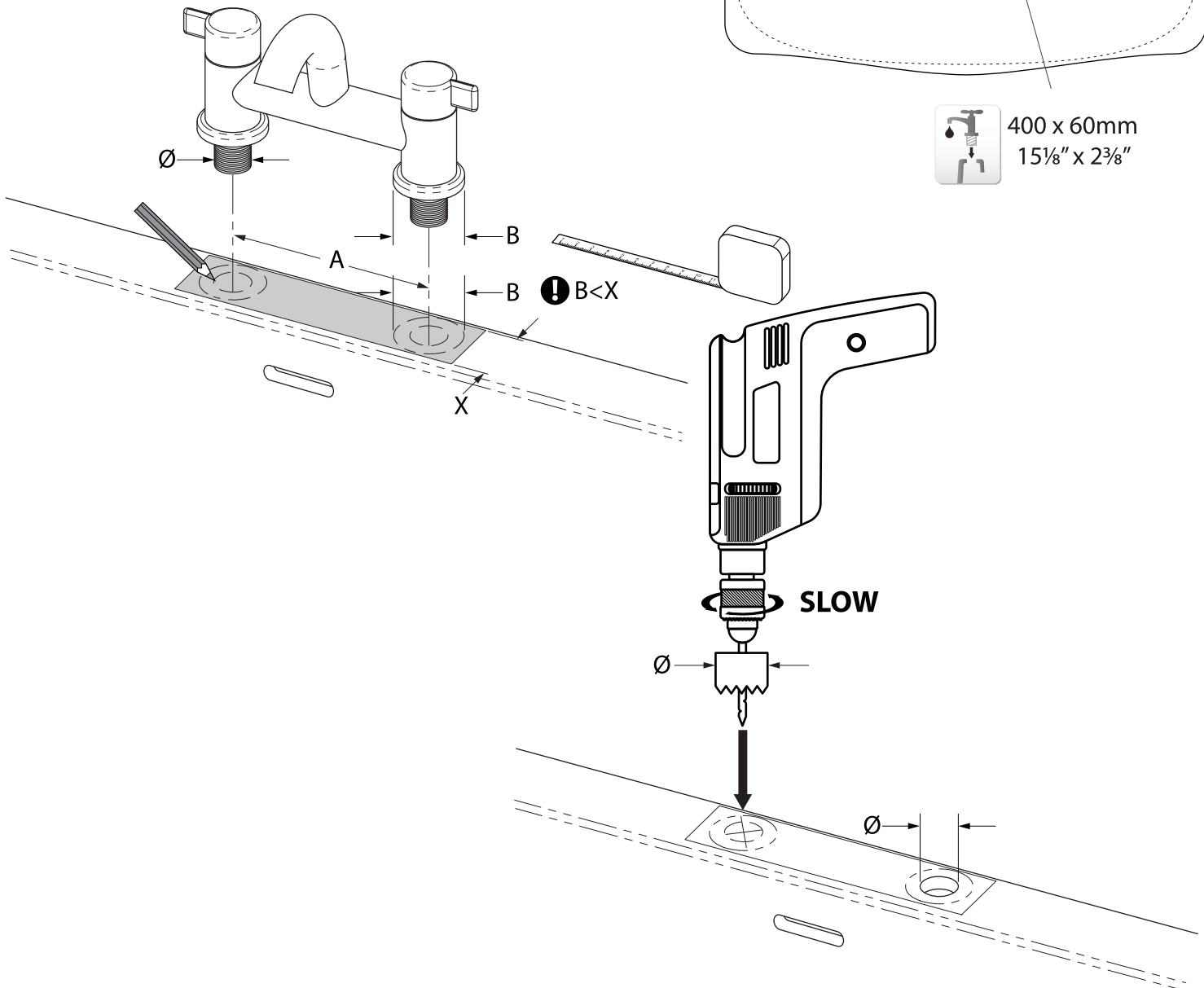




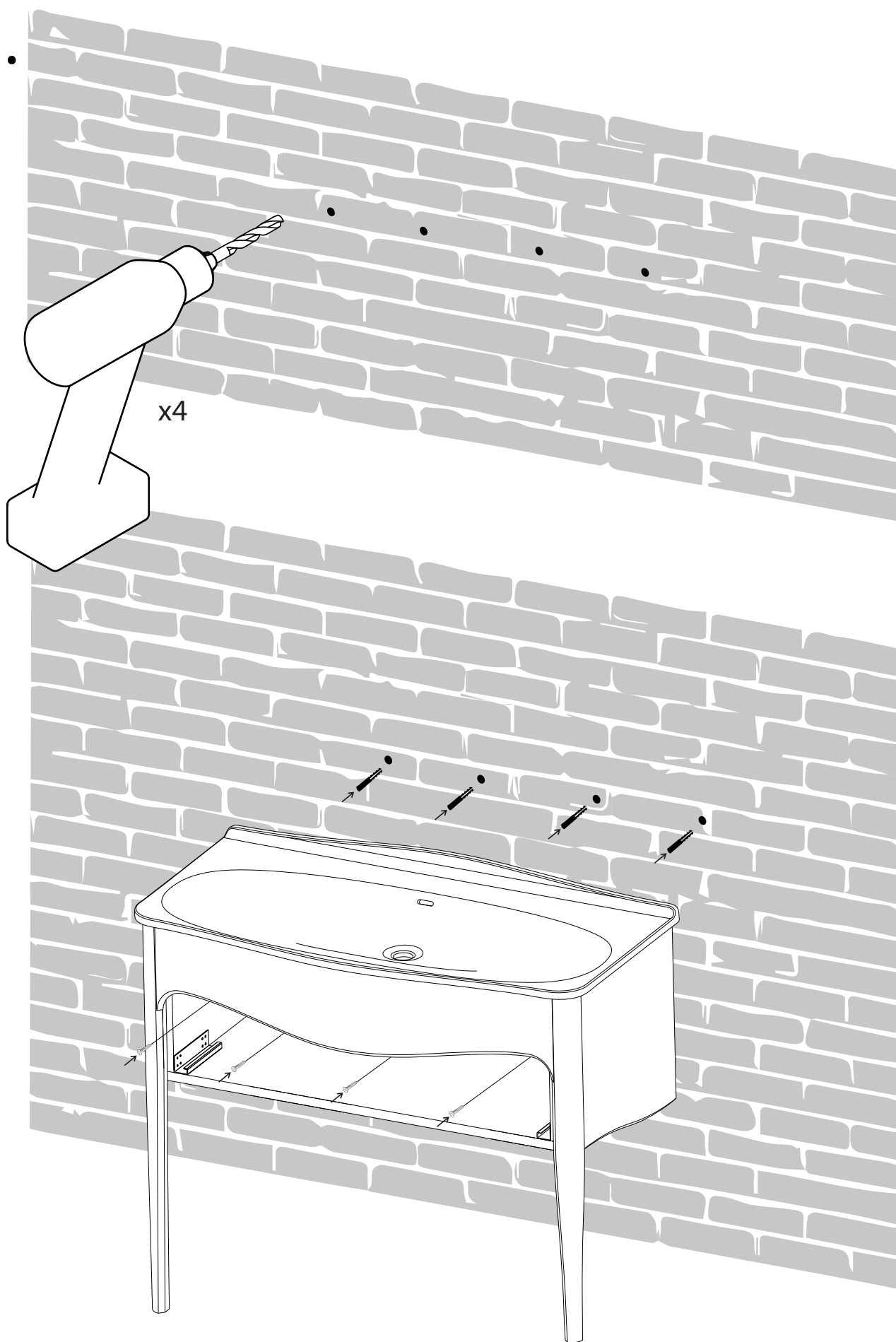
MAN-N-114-xx-IO	✓
MAN-1TH-114-xx-IO	✗
MAN-3TH-114-xx-IO	✗
MANV-N-114-xx-IO	✓
MANV-1TH-114-xx-IO	✗
MANV-3TH-114-xx-IO	✗
MANVG-N-114-xx-IO	✗
MANVG-1TH-114-xx-IO	✗
MANVG-3TH-114-xx-IO	✗



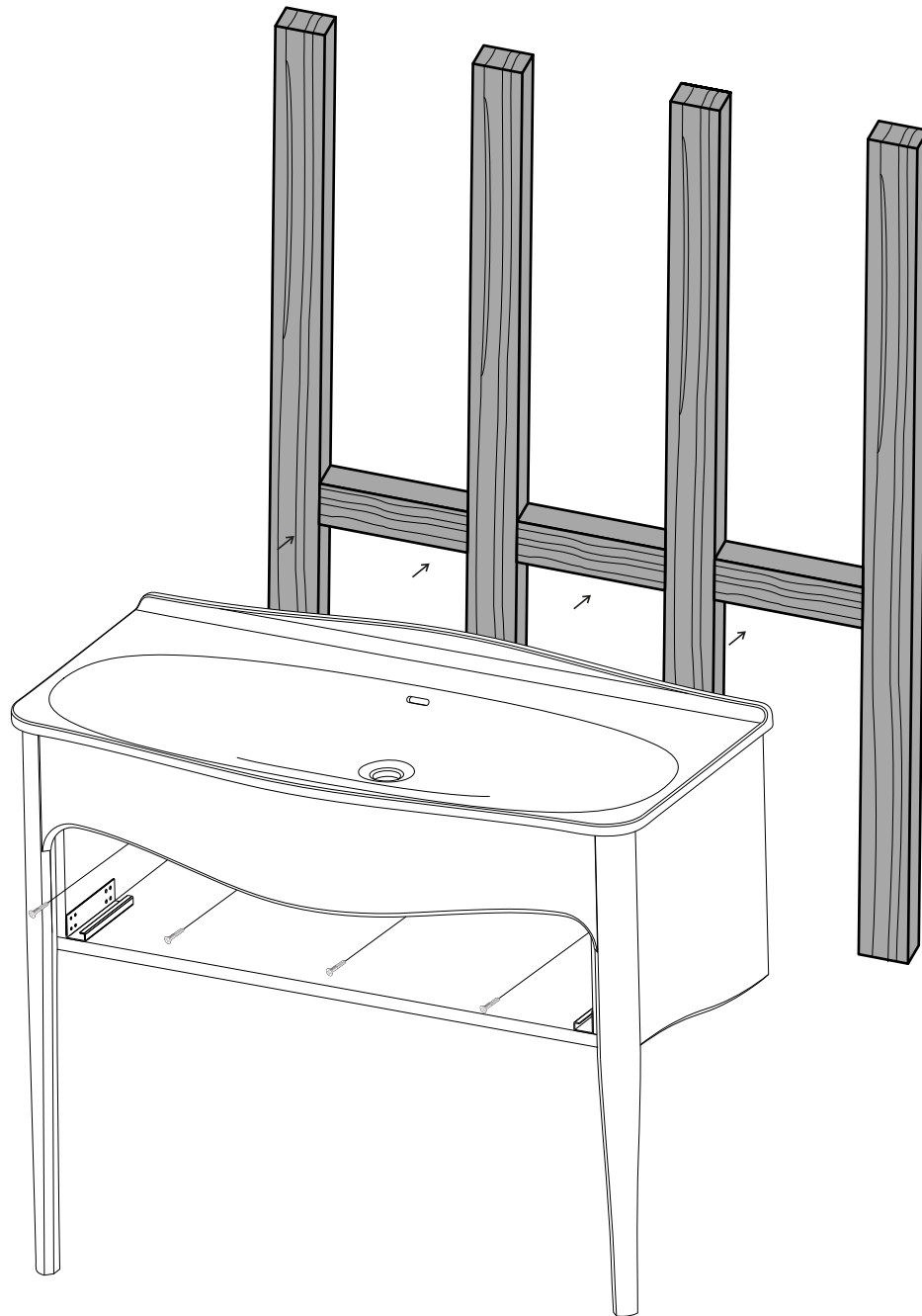
400 x 60mm
15 1/8" x 2 3/8"



4a.

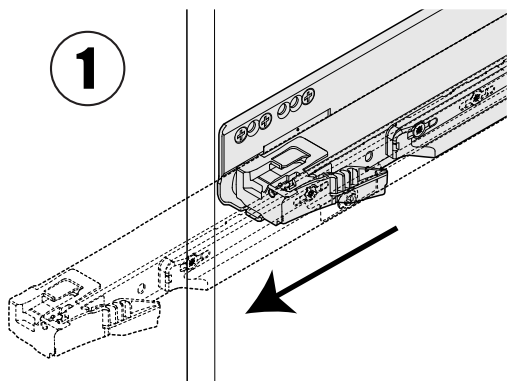


4b.

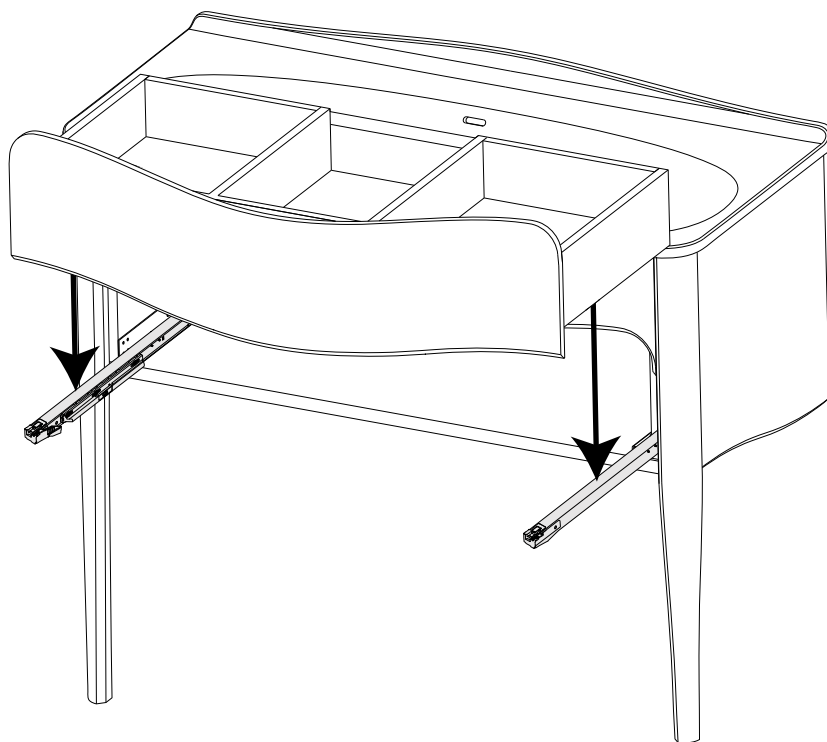


5.

1



2



3

