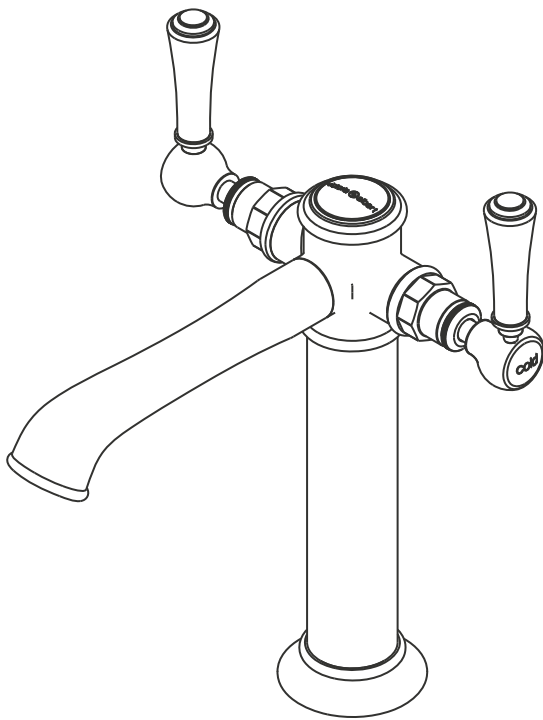
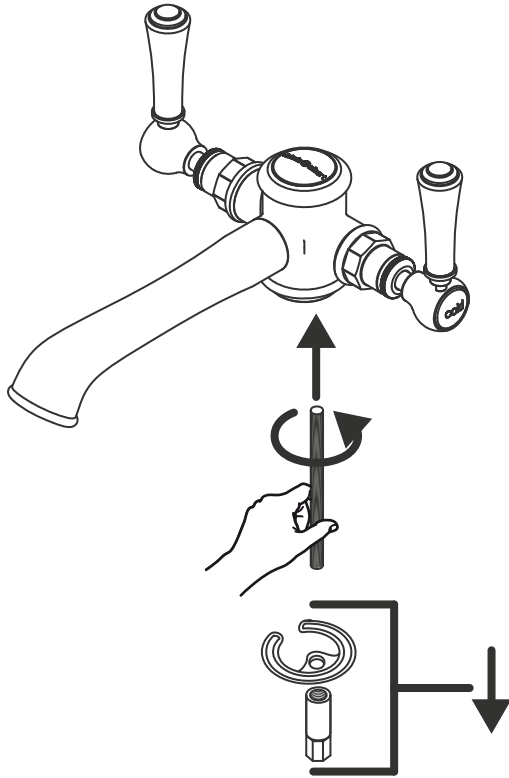


# Staffordshire STA-11

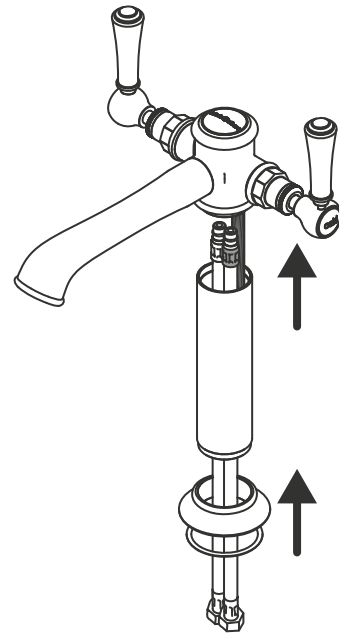


Fitting instructions  
Notice d'installation  
Instrucciones de montaje  
Montageanleitung  
Istruzioni di montaggio  
Montagehandleiding  
Instrukcja montażu  
Указания по креплению

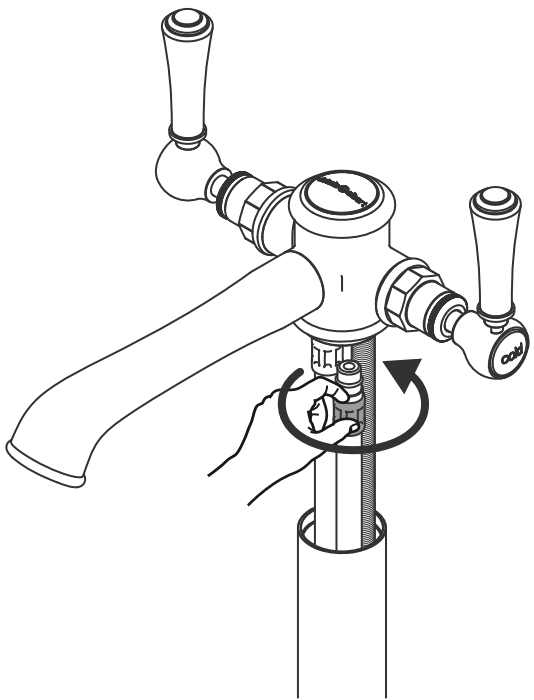
1.



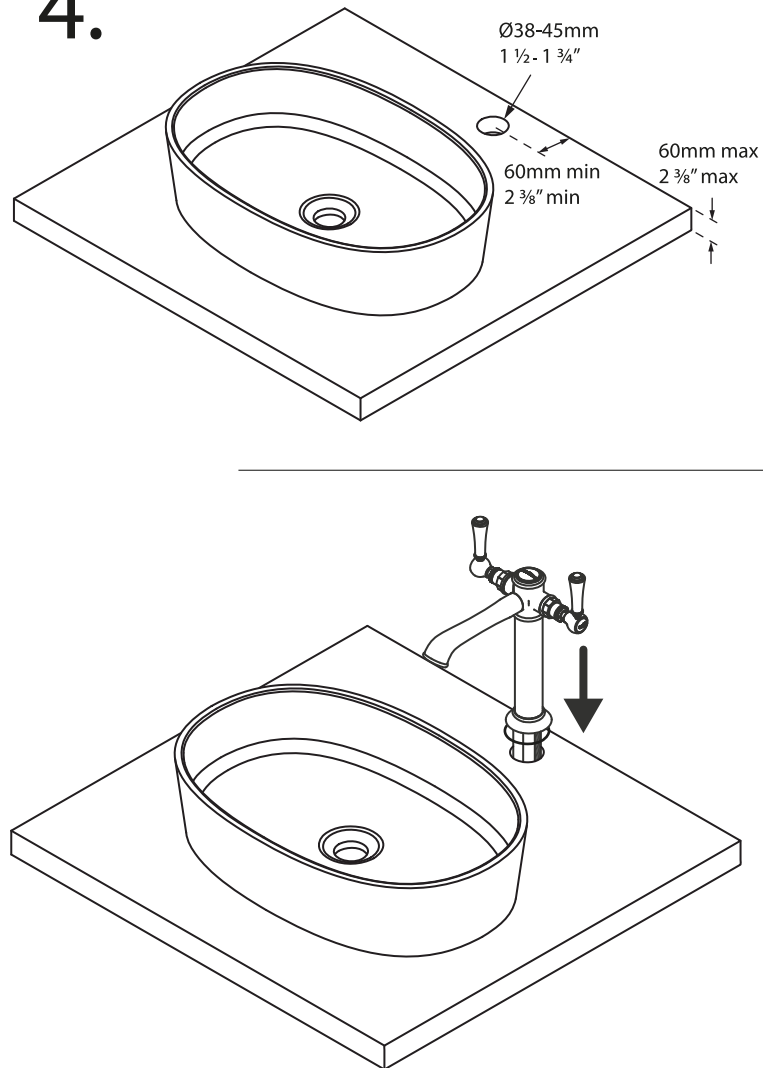
2.



3.



4.



## 5.

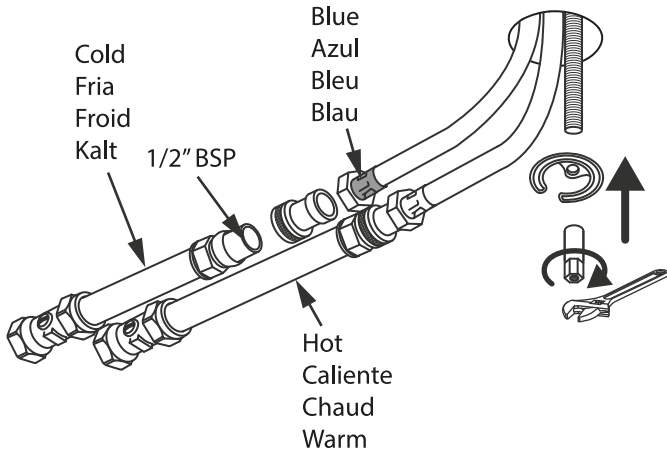


CHECK  
COMPROBAR  
VERIFER  
ÜBERPRÜFEN

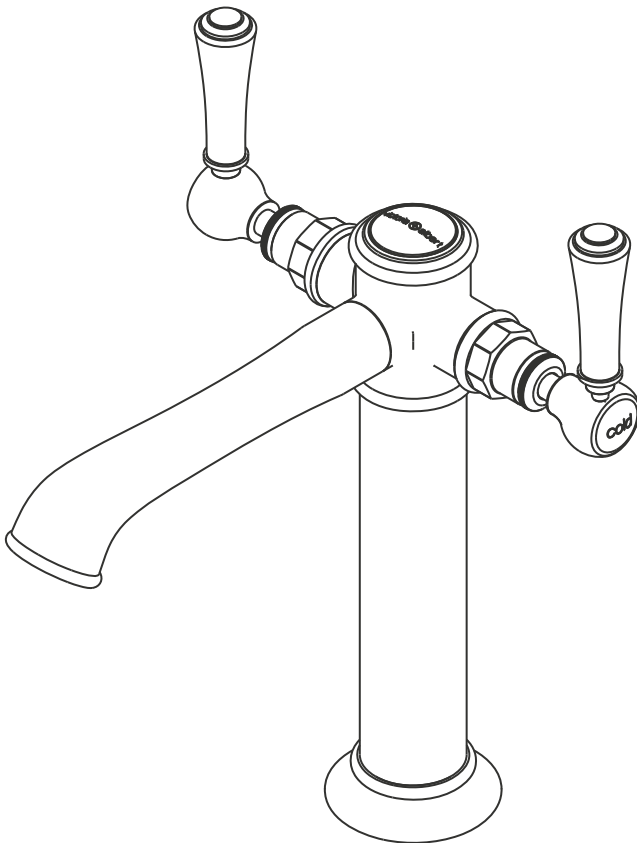
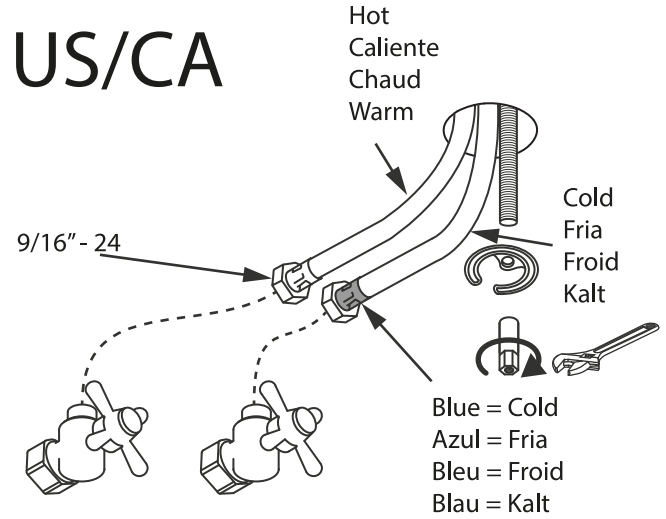


Clean Pipes  
Limpiar Tuberias  
Netoyer La Tuyaterie  
Rohre Sauber Machen

### UK/EU



### US/CA



CHECK  
COMPROBAR  
VERIFER  
ÜBERPRÜFEN

### UK/EU



1 - 5 Bar

Max 9 L/min @ 3.0 Bar

### US/CA



14.5 - 72.5 psi

Max 2.2 gpm @ 60 psi

- |                       |                                |
|-----------------------|--------------------------------|
| 1. Uprand             | 10. Bod                        |
| 2. Back Nut           | 11. Threaded Bolt              |
| 3. 1/4 Turn Cartridge | 12. Indice                     |
| 4. C Plate            | 13. O Rrng                     |
| 5. Base Flange        | 14. O ring                     |
| 6. Flexible Tails     | 15. Flow Limiter (US Only)     |
| 7. Screw              | 16. Aerator                    |
| 8. Screw              | 17. Spout                      |
| 9. Handle             | 18. Non Return Valve (EU Only) |

