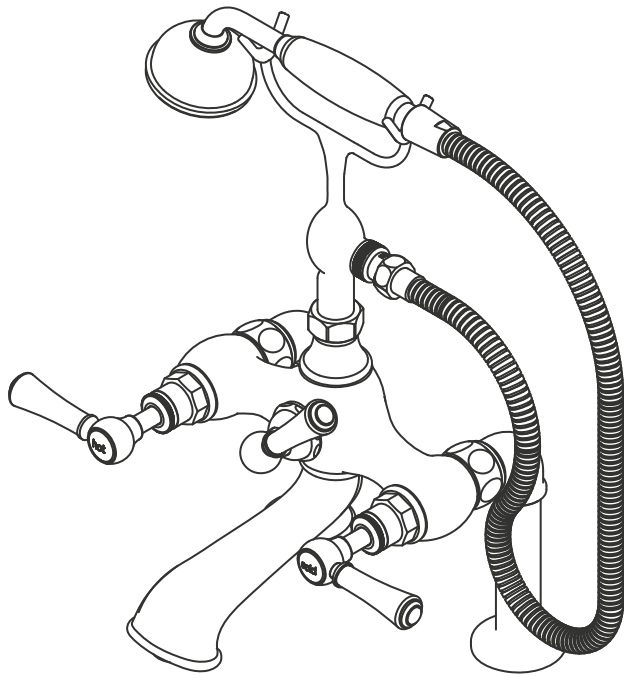


Staffordshire STA12



Fitting instructions

Notice d'installation

Instrucciones de montaje

Montageanleitung

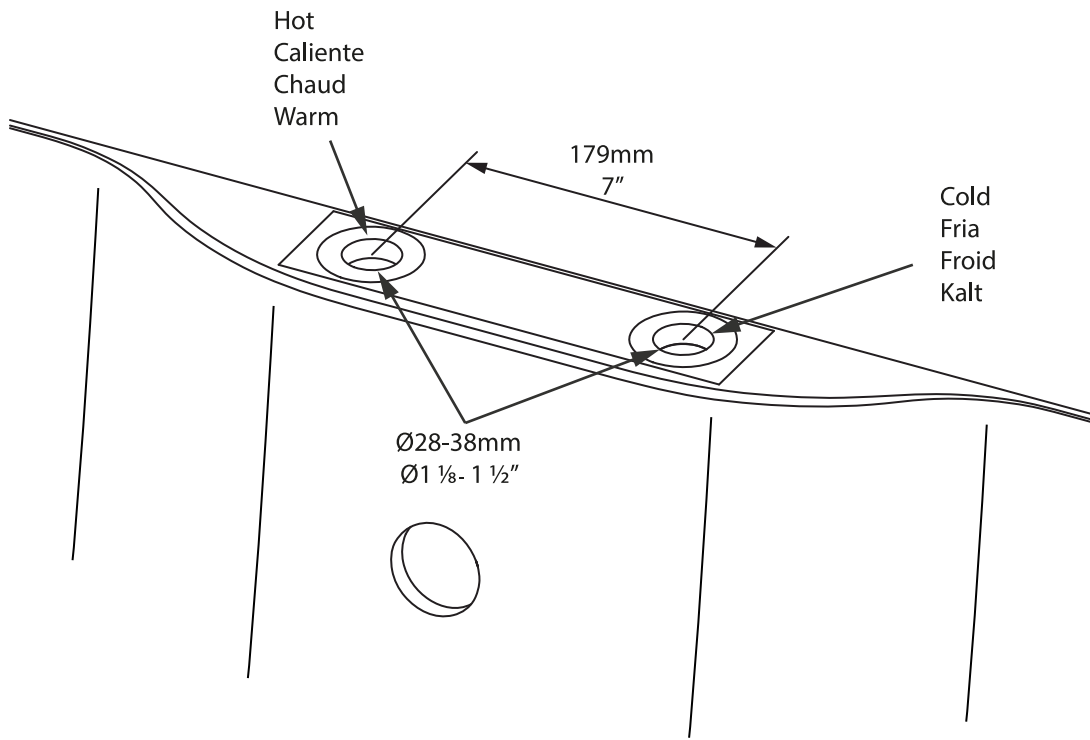
Istruzioni di montaggio

Montagehandleiding

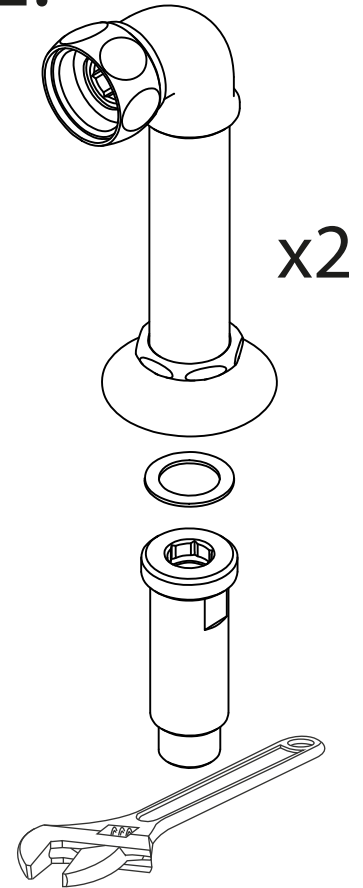
Instrukcja montażu

Указания по креплению

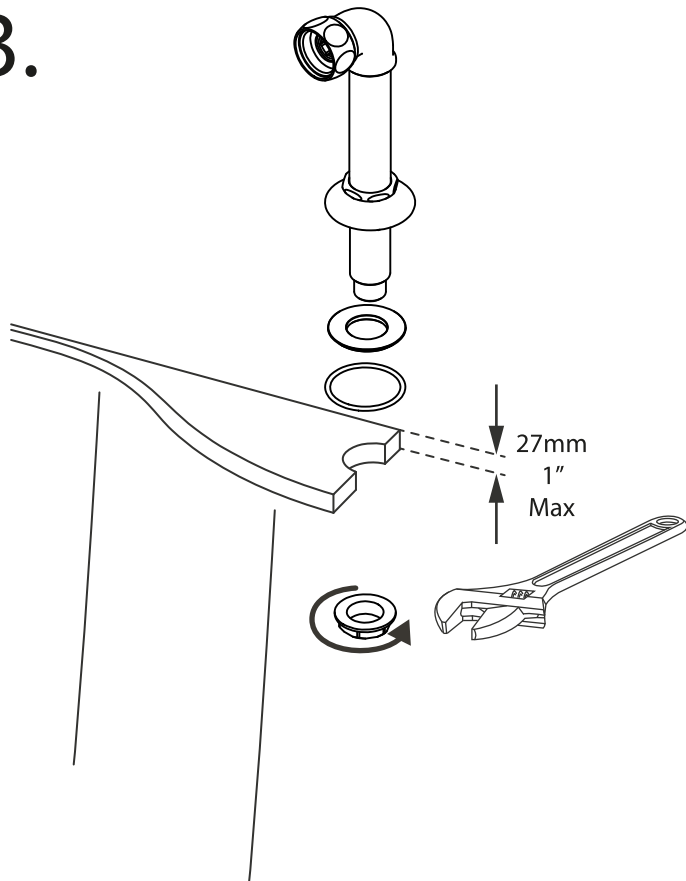
1.



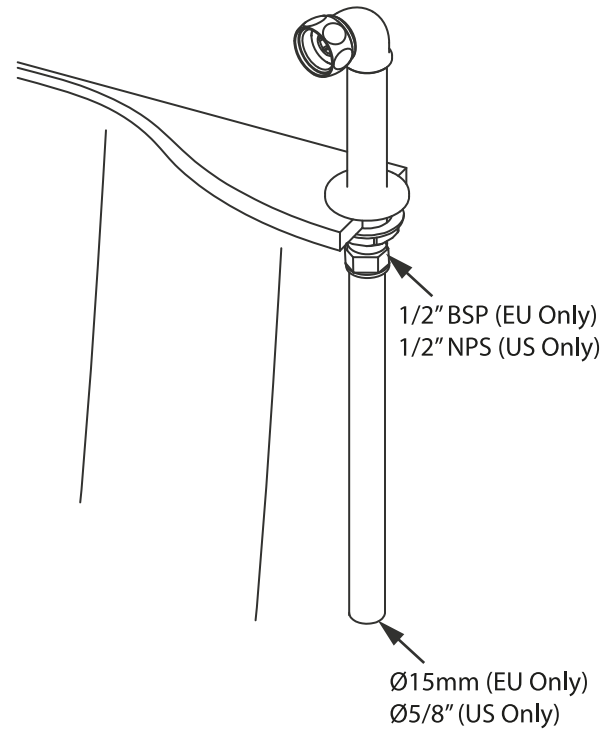
2.



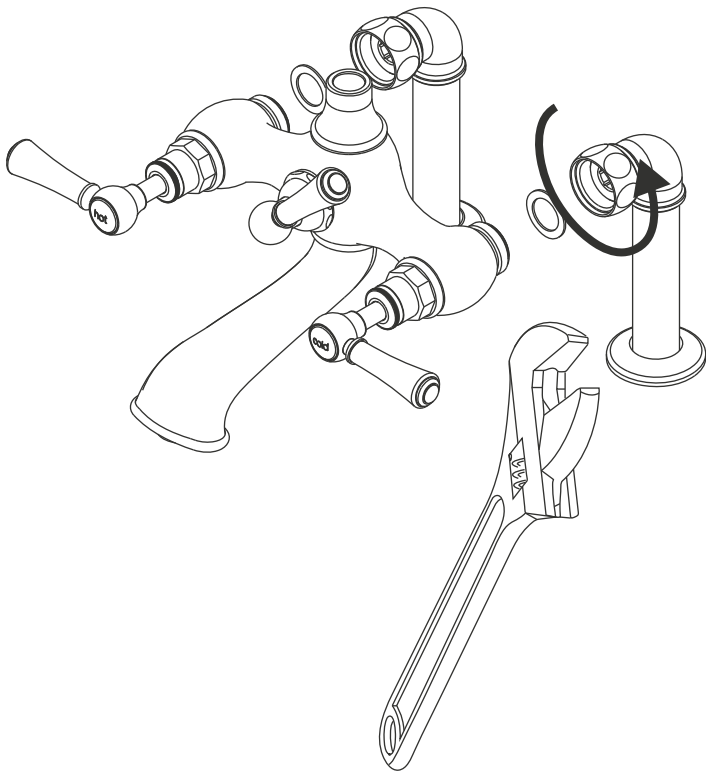
3.



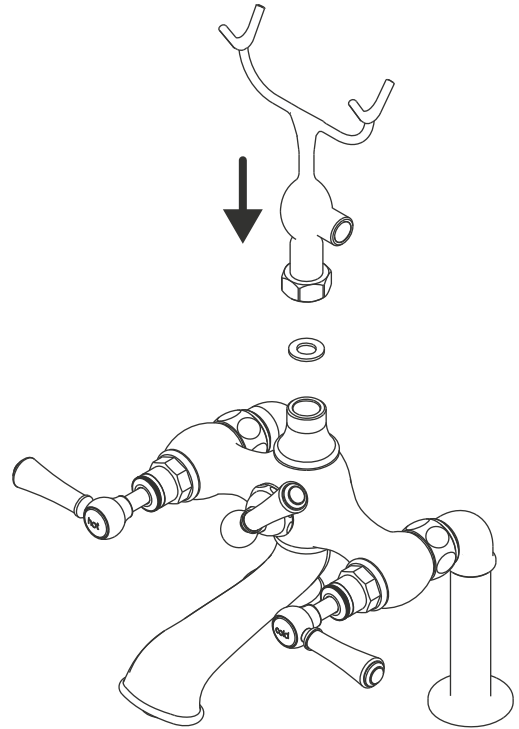
4.



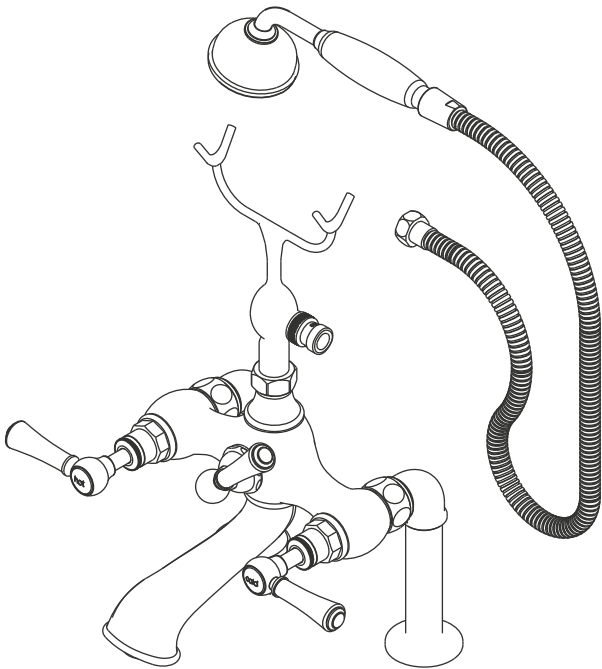
5.



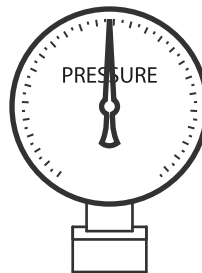
6.



7.



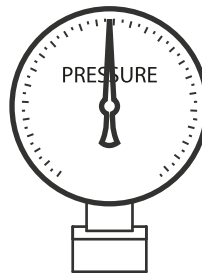
CHECK
COMPROBAR
VERIFER
ÜBERPRÜFEN



UK/EU

0.5 - 5 Bar

Max 50L/min @ 3.0 Bar



US/CA

7.5 - 72.5 psi

Max 9 gpm @ 45 psi

Max 6.8 L/min (1.8 gpm)

ASSE 1070 unit must be installed
at HOT SIDE INLET (not included)

Max temp outlet 120°F



- | | | |
|-----------------------|--------------------|----------------------|
| 1. Aerator | 11. O ring | 21. Diverter Handle |
| 2. 1/4 Turn Cartridge | 12. O ring | 22. O ring |
| 3. Diverter Valve | 13. Spout Retainer | 23. Valve seat |
| 4. O ring | 14. O ring | 24. Deck legs (x2) |
| 5. Diverter Cover | 15. O ring | 25. Non Return Valve |
| 6. Diverter Shuttle | 16. Cap | 26. Cradle |
| 7. Screw | 17. Spout | 27. Handset |
| 8. Cold Handle | 18. O ring | 28. Hose |
| 9. Hot Handle | 19. O ring | 29. Washer |
| 10. Cap | 20. O ring | 30. Leg Adaptor |

