

Staffordshire 41



Staffordshire wall mounted fixed shower head and arm

The Staffordshire Collection includes traditional mixers and showers, featuring authentic ceramic handles and vintage-designed spouts. Made in England using traditional techniques.

- 0.5bar minimum, 1.0bar recommended

Polished chrome (shown)

Wandmontierter Kopfbrause mit Arm

Die Staffordshire Kollektion bietet klassische Mischarmaturen und Duschen mit Griffen aus echter Keramik und Wasserhähnen im Vintage-Look. Hergestellt in England unter Verwendung traditioneller Handwerkstechniken.

- Mindestdruck 0,5bar, 1,0bar empfohlen

Chrom poliert (abgebildet)

Pomme de douche à fixation murale

La collection Staffordshire inclut des mitigeurs et des colonnes de douche traditionnels avec d'authentiques poignées en céramique ainsi que des embouts de style vintage. La collection est fabriquée en Angleterre selon des techniques traditionnelles.

- Minimum 0,5bar, 1,0bar recommandée

Chrome poli (voir photo)

Ducha fija con brazo para montaje sobre pared

La Colección Staffordshire incluye griferías y columnas de ducha clásicas, que incluyen mangos en cerámica auténtica y caños de diseño vintage. Fabricada en Inglaterra a partir de técnicas tradicionales.

- Mínimo 0,5bar, 1,0bar recomendado

Cromado brillante (ver foto)

Soffione doccia fisso e braccio a parete

La collezione Staffordshire comprende miscelatori e docce tradizionali, dotate di autentici maniglie in ceramica e beccucci dal design d'epoca. Prodotto in Inghilterra utilizzando forme tradizionali.

- Minimo di 0,5bar, 1,0bar raccomandata

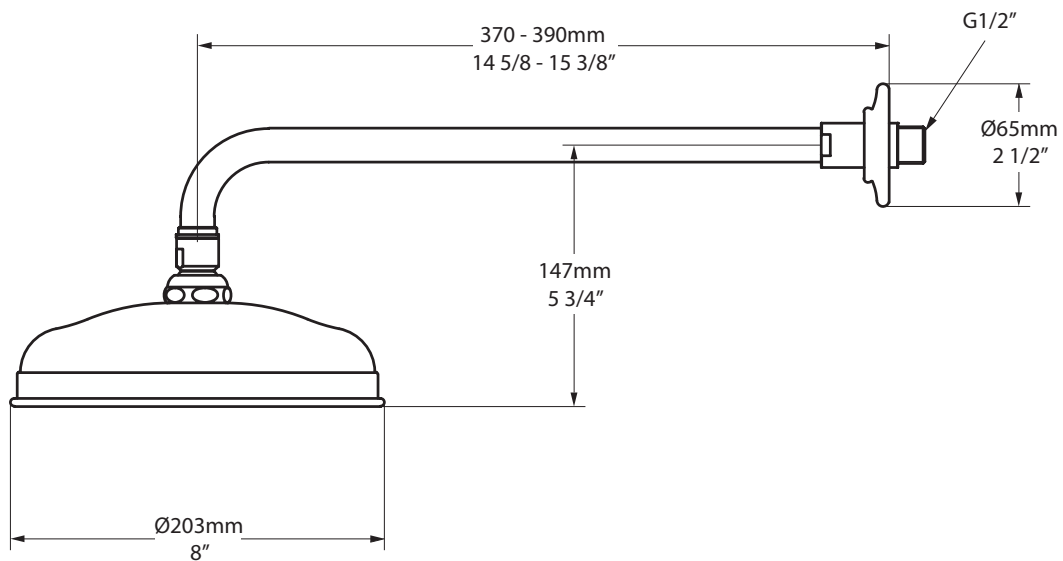
Cromo lucido (mostrato)

- **STA-41-PC** Polished chrome, Chrom poliert, Chrome poli, Cromado brillante, Cromo lucido
- **STA-41-BN** Brushed nickel, Nickel brossé, Nickel gebürstet, Nickel spazzolato, Niquel satinado
- **STA-41-PN** Polished nickel, Nickel poliert, Nickel poli, Niquel brillante, nickel lucio



Massachusetts Code: File No. Pending
 cUPC listing (ASME & CSA) by IAPMO: File No. Pending
 Lead Free listing (Safe Drinking Water Act & California Health & Safety Code) by IAPMO: File No. Pending
 Drinking Water Listing (NSF 61) by IAPMO: File No. Pending

Staffordshire 41 STA-41-**



Staffordshire 41

- UK 0.5bar minimum, 1.0bar recommended
- DE 0,5bar Minimum 1,0bar empfohlen
- FR Minimum 0,5bar, 1,0bar recommandée
- ES Mínimo 0,5bar, 1,0bar recomendado
- IT Minimo di 0,5bar, 1,0bar raccomandata

*All measurements subject to +/-5% tolerance

