

**SHAPE**

- Oval

**SIZE**

- Length: 549 mm, Width: 300 mm, Height: 140 mm

**MATERIAL**

- QUARRYCAST™

**WEIGHT**

- 5.14kg

**CAPACITY**

- 5.86L

**INSTALLATION TYPE**

- Countertop

**FINISH**

- Gloss White, Matt White

**DRAIN**

- Internal overflow
- Drain kit required, sold separately
- Recommended wastes: K-25

**STANDARDS**

- CSA B45.5:22, IAPMO Z124-2022

**WARRANTY**

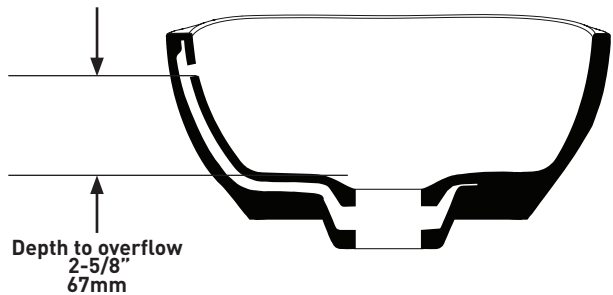
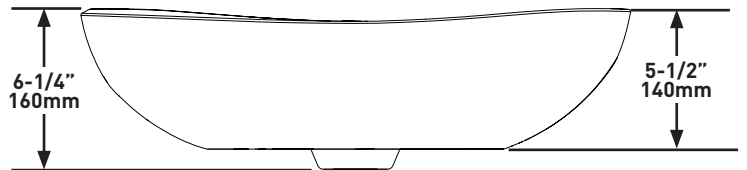
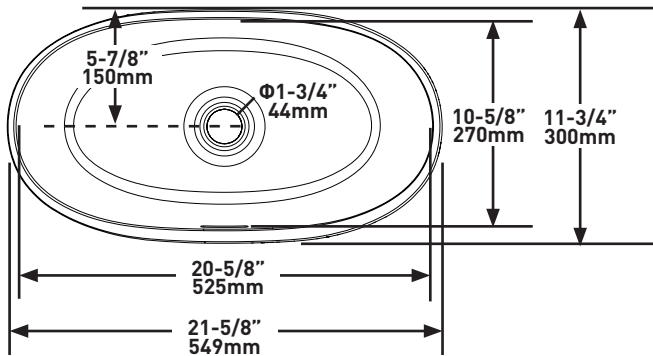
- 25 years residential
- 8 years commercial
- Visit [www.vandabaths.com](http://www.vandabaths.com) for further information

# SPECIFICATIONS



**SEROSTM55**  
Vessel Basin

**MODELS:** VB-SER-55-IO, VB-SER55M-SM-IO



**For care and cleaning, product warranty, and additional information contact:**

**US Customers**

U.S.A.  
[houseofrohl.com/support](http://houseofrohl.com/support)  
1-800-777-9762

QUEBEC / MARITIMES / WESTERN CANADA  
QUÉBEC / MARITIMES / OUEST CANADIEN  
QUEBEC / MARITIMOS / CANADA OCCIDENTAL  
[houseofrohl.ca/support](http://houseofrohl.ca/support)  
1-866-473-8442

**Canadian Customers**

ONTARIO  
[houseofrohl.ca/support](http://houseofrohl.ca/support)  
1-800-287-5354

**EMEA Customers**

[vandabaths.com](http://vandabaths.com)  
+44 (0) 1952 221 100