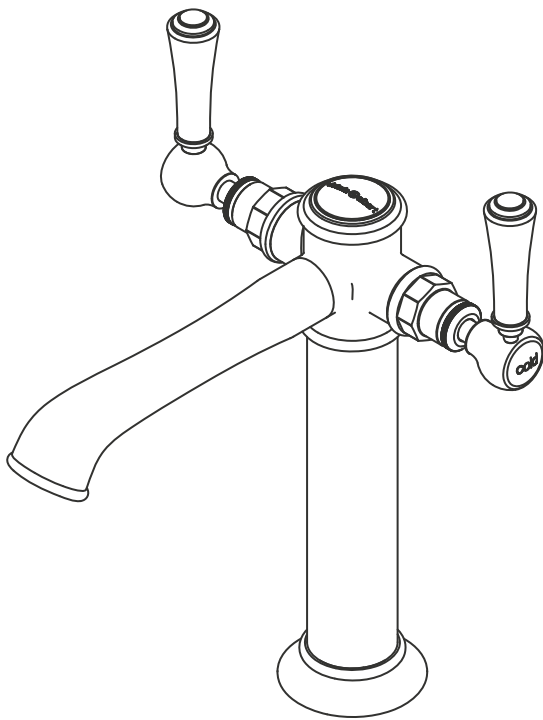


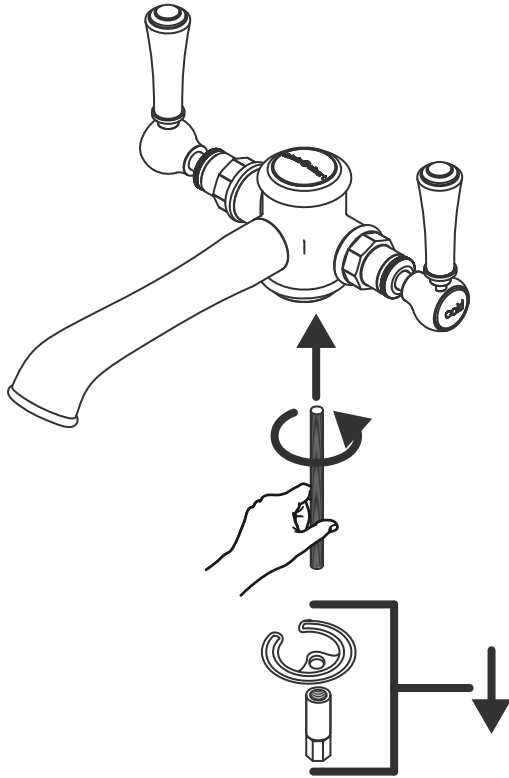
Staffordshire STA-11



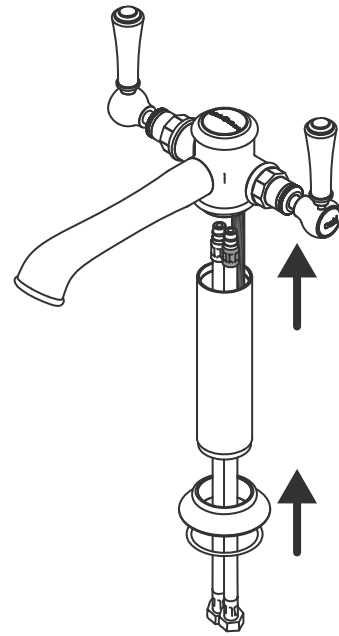
Fitting instructions
Notice d'installation
Instrucciones de montaje
Montageanleitung
Istruzioni di montaggio
Montagehandleiding
Instrukcja montażu
Указания по креплению



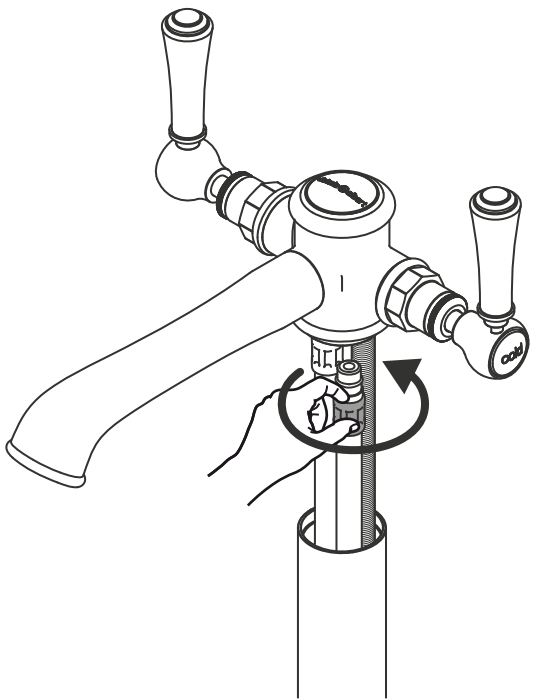
1.



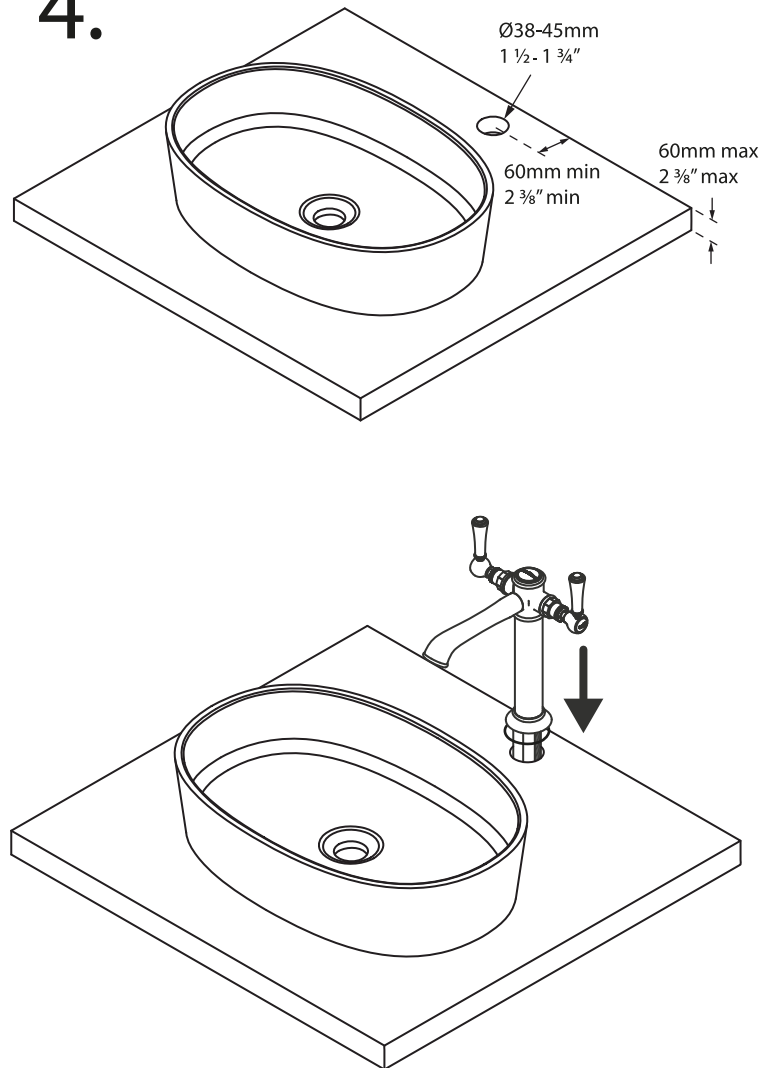
2.



3.



4.



5.

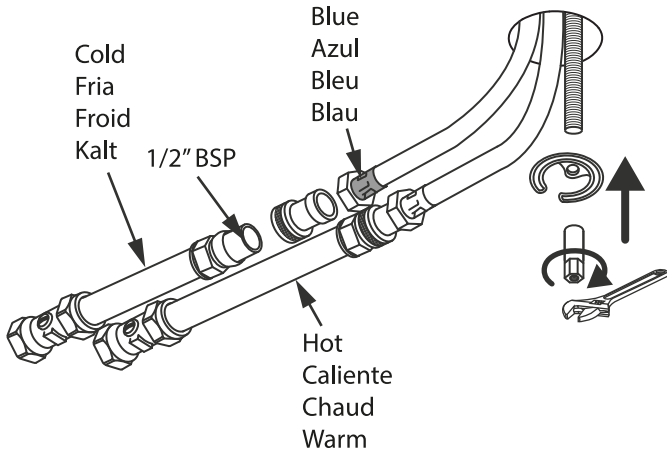


CHECK
COMPROBAR
VERIFER
ÜBERPRÜFEN

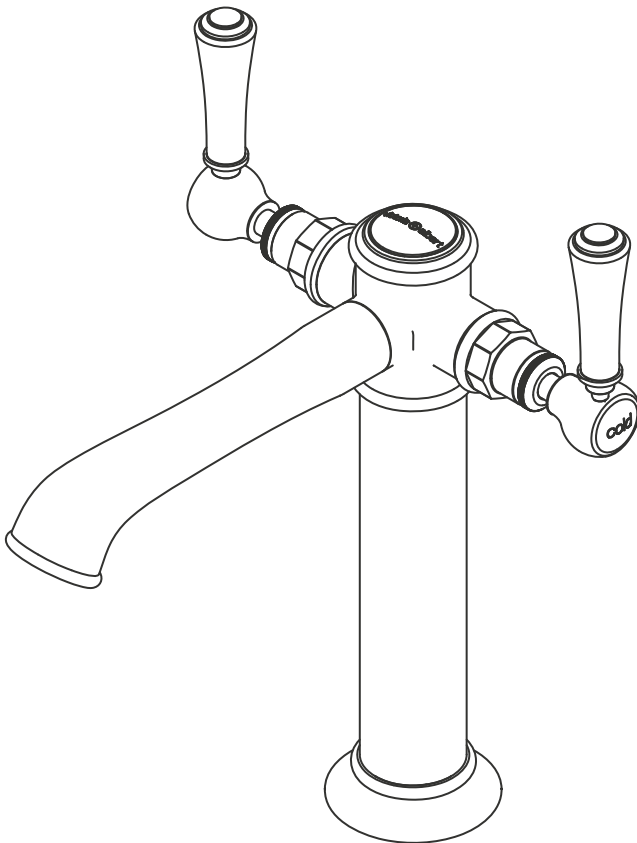
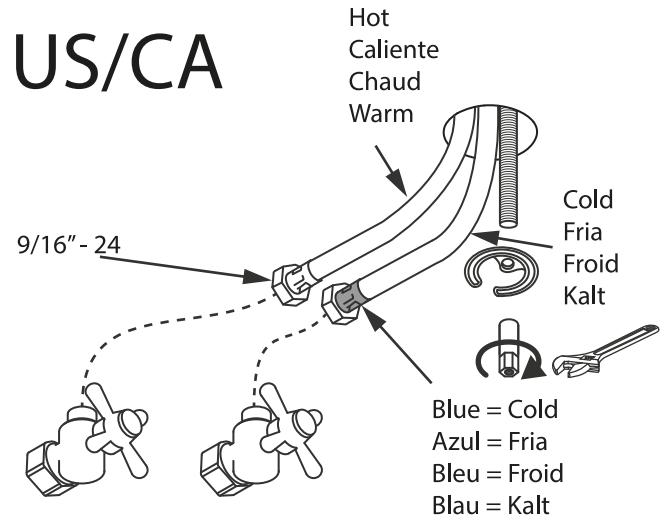


Clean Pipes
Limpiar Tuberias
Netoyer La Tuyaterie
Rohre Suaber Machen

UK/EU



US/CA



CHECK
COMPROBAR
VERIFER
ÜBERPRÜFEN

UK/EU



1 - 5 Bar

Max 6 L/min @ 3.0 Bar

US/CA



14.5 - 72.5 psi

Max 1.2 gpm @ 60 psi

- | | |
|-----------------------|--------------------------------|
| 1. Uprand | 10. Body |
| 2. Back Nut | 11. Threaded Bolt |
| 3. 1/4 Turn Cartridge | 12. Indice |
| 4. C Plate | 13. O Rrng |
| 5. Base Flange | 14. O ring |
| 6. Flexible Tails | 15. Flow Limiter |
| 7. Screw | 16. Aerator |
| 8. Screw | 17. Spout |
| 9. Handle | 18. Non Return Valve (EU Only) |

