

# SPECIFICATIONS

**DESCRIPTION**

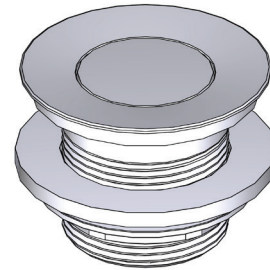
- Universal bath waste kit

**STANDARDS**

- WMTS 040 (2022)

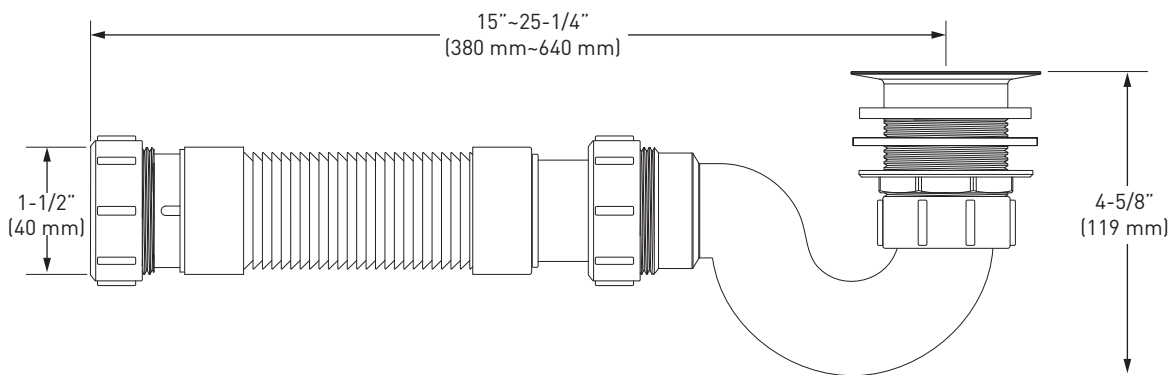
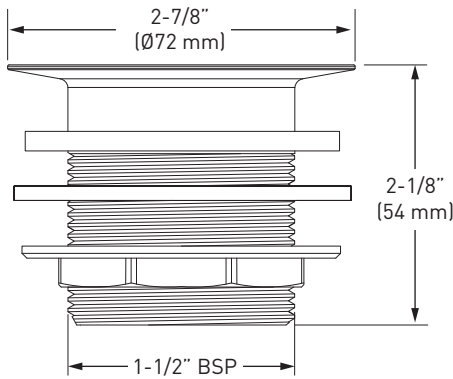
**WARRANTY**

- Visit [www.houseofrohl.uk](http://www.houseofrohl.uk) for more information



**Drain Kit**

**MODELS:** K-12 Series



For care and cleaning, product warranty, and additional information contact:

**US Customers**

U.S.A.  
[houseofrohl.com/support](http://houseofrohl.com/support)  
 1-800-777-9762

**Canadian Customers**

QUEBEC / MARITIMES / WESTERN CANADA  
 QUÉBEC / MARITIMES / OUEST CANADIEN  
 QUEBEC / MARITIMOS / CANADA OCCIDENTAL  
[houseofrohl.ca/support](http://houseofrohl.ca/support)  
 1-866-473-8442

**EMEA Customers**

UNITED KINGDOM  
[www.houseofrohl.uk](http://www.houseofrohl.uk)  
 01952 221100



# SPÉCIFICATIONS

**DESCRIPTION**

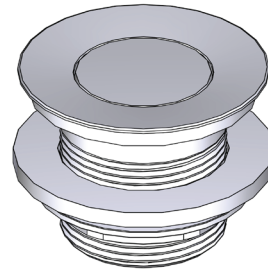
- Vidage universel pour baignoires sans trou de trop-plein

**CERTIFICATIONS**

- WMTS 040 (2022)

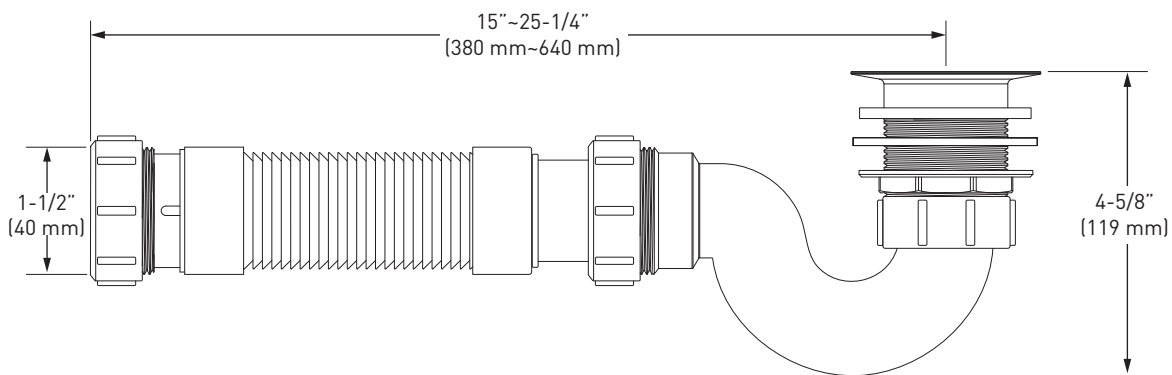
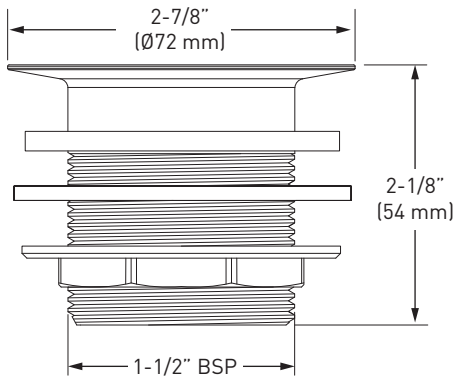
**GARANTIE**

- Pour davantage d'informations, rendez-vous sur [www.houseofrohl.uk](http://www.houseofrohl.uk)



**Kit de vidage**

**MODÈLES :** K-12



For care and cleaning, product warranty, and additional information contact:

**US Customers**

U.S.A.  
[houseofrohl.com/support](http://houseofrohl.com/support)  
 1-800-777-9762

**Canadian Customers**

QUEBEC / MARITIMES / WESTERN CANADA  
 QUÉBEC / MARITIMES / OUEST CANADIEN  
 QUEBEC / MARITIMOS / CANADA OCCIDENTAL  
[houseofrohl.ca/support](http://houseofrohl.ca/support)  
 1-866-473-8442

**EMEA Customers**

UNITED KINGDOM  
[www.houseofrohl.uk](http://www.houseofrohl.uk)  
 01952 221100

# SPEZIFIKATIONEN

## BESCHREIBUNG

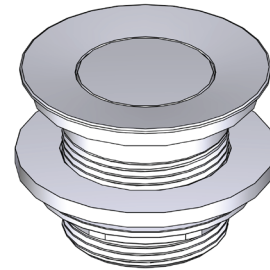
- Kit universale di scarico per vasche senza foro per troppopieno

## NORMEN

- WMTS 040 (2022)

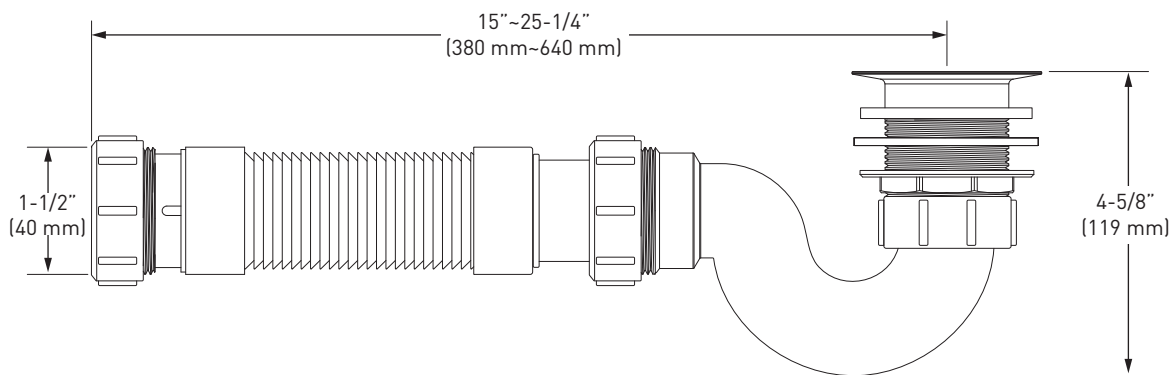
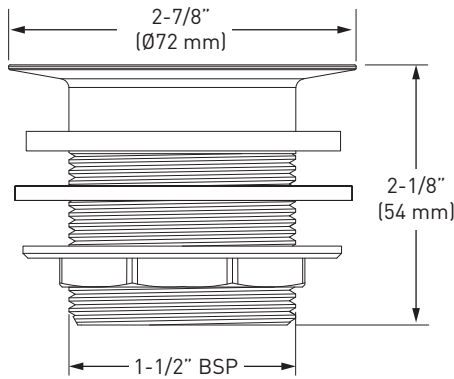
## GARANTIE

- Weitere Informationen unter [www.houseofrohl.uk](http://www.houseofrohl.uk)



## Ablauf-Kit

**MODELLE:** K-12



For care and cleaning, product warranty, and additional information contact:

### US Customers

U.S.A.  
[houseofrohl.com/support](http://houseofrohl.com/support)  
 1-800-777-9762

QUEBEC / MARITIMES / WESTERN CANADA  
 QUÉBEC / MARITIMES / OUEST CANADIEN  
 QUEBEC / MARITIMOS / CANADA OCCIDENTAL  
[houseofrohl.ca/support](http://houseofrohl.ca/support)  
 1-866-473-8442

### Canadian Customers

ONTARIO  
[houseofrohl.ca/support](http://houseofrohl.ca/support)  
 1-800-287-5354

### EMEA Customers

UNITED KINGDOM  
[www.houseofrohl.uk](http://www.houseofrohl.uk)  
 01952 221100

# SPECIFICHE TECNICHE

## DESCRIZIONE

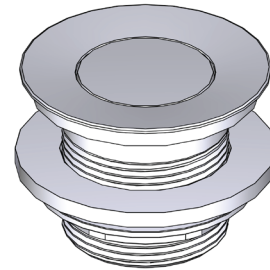
- Kit universale di scarico per vasche senza foro per troppopieno

## STANDARD

- WMTS 040 (2022)

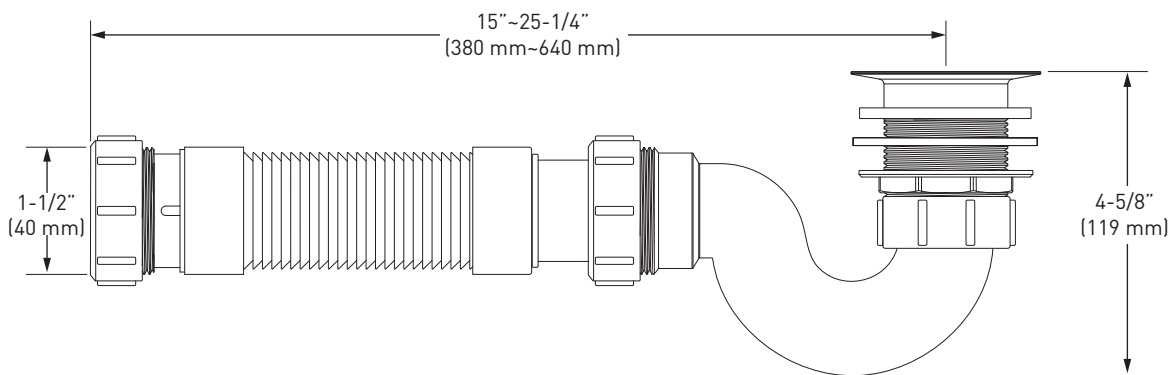
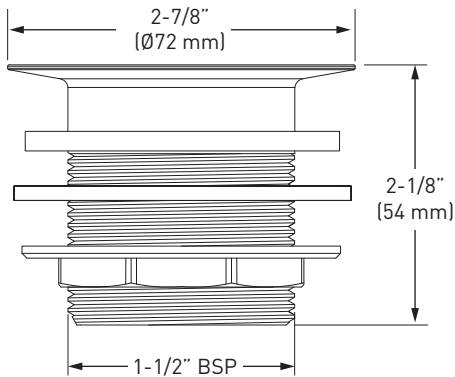
## GARANZIA

- Per maggiori informazioni visita [www.houseofrohl.uk](http://www.houseofrohl.uk)



## Kit di scarico

**MODELLI:** K-12



For care and cleaning, product warranty, and additional information contact:

### US Customers

U.S.A.  
[houseofrohl.com/support](http://houseofrohl.com/support)  
1-800-777-9762

QUEBEC / MARITIMES / WESTERN CANADA  
QUÉBEC / MARITIMES / OUEST CANADIEN  
QUEBEC / MARITIMOS / CANADA OCCIDENTAL  
[houseofrohl.ca/support](http://houseofrohl.ca/support)  
1-866-473-8442

### Canadian Customers

ONTARIO  
[houseofrohl.ca/support](http://houseofrohl.ca/support)  
1-800-287-5354

### EMEA Customers

UNITED KINGDOM  
[www.houseofrohl.uk](http://www.houseofrohl.uk)  
01952 221100

# ESPECIFICACIONES

## DESCRIPCIÓN

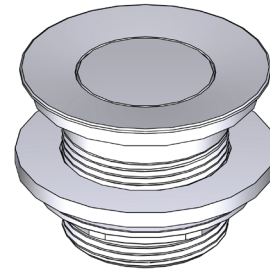
- Vaciador universal para bañeras sin agujero rebosadero

## ESTÁNDARES

- WMTS 040 (2022)

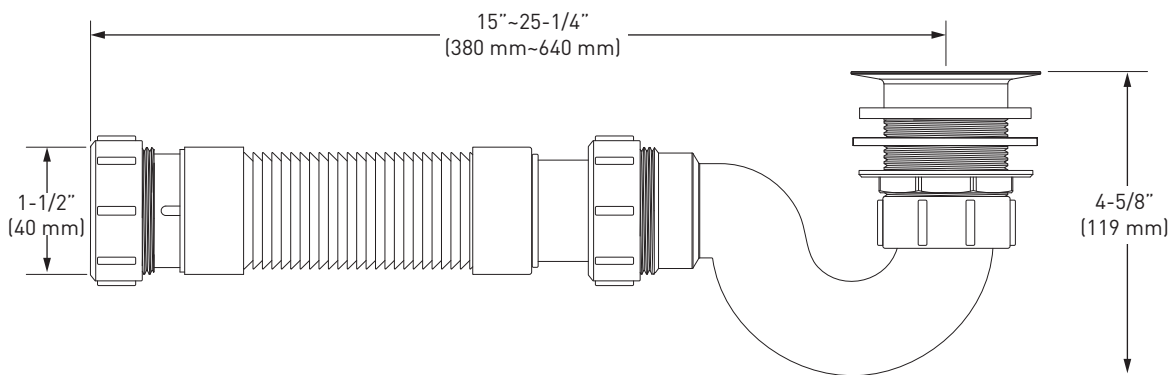
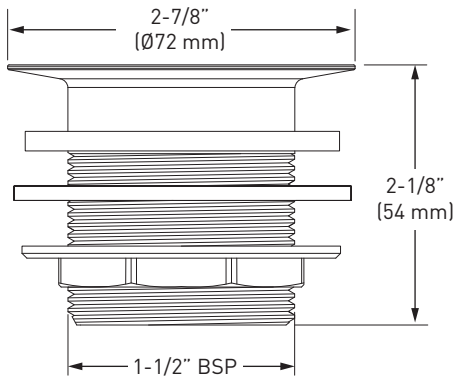
## GARANTÍA

- Para más información, visite [www.houseofrohl.uk](http://www.houseofrohl.uk)



## Kit del desagüe

**MODELOS:** K-12



For care and cleaning, product warranty, and additional information contact:

### US Customers

U.S.A.  
[houseofrohl.com/support](http://houseofrohl.com/support)  
1-800-777-9762

QUEBEC / MARITIMES / WESTERN CANADA  
QUÉBEC / MARITIMES / OUEST CANADIEN  
QUEBEC / MARITIMOS / CANADA OCCIDENTAL  
[houseofrohl.ca/support](http://houseofrohl.ca/support)  
1-866-473-8442

### Canadian Customers

ONTARIO  
[houseofrohl.ca/support](http://houseofrohl.ca/support)  
1-800-287-5354

### EMEA Customers

UNITED KINGDOM  
[www.houseofrohl.uk](http://www.houseofrohl.uk)  
01952 221100

# SPECIFICATIES

**BESCHRIJVING**

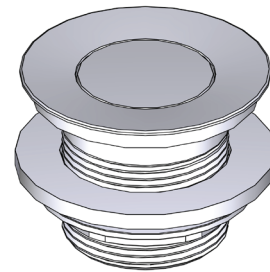
- Universele afvoer voor baden zonder overloop

**NORMEN**

- WMTS 040 (2022)

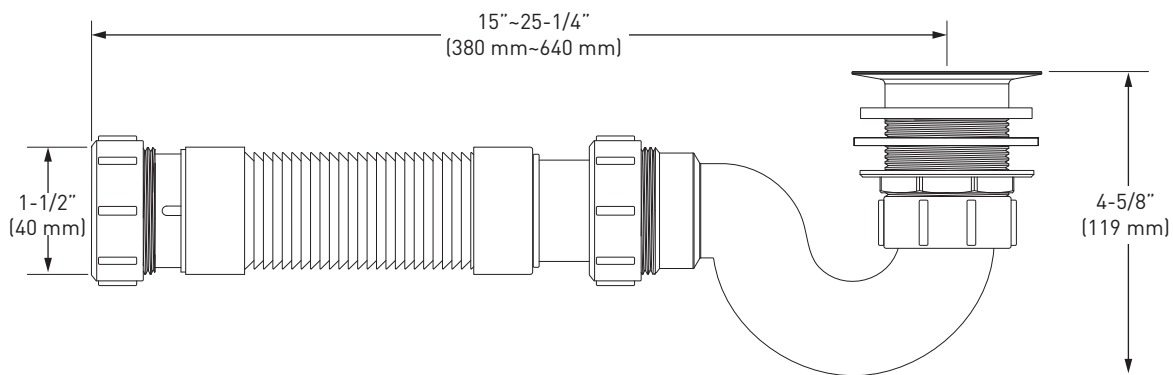
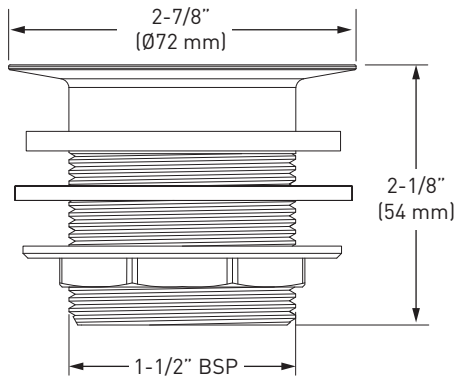
**GARANTIE**

- Voor meer informatie, bezoek [www.houseofrohl.uk](http://www.houseofrohl.uk)



**Afvoerkit**

**MODELLEN:** K-12



For care and cleaning, product warranty, and additional information contact:

US Customers	Canadian Customers	EMEA Customers
U.S.A. <a href="http://houseofrohl.com/support">houseofrohl.com/support</a> 1-800-777-9762	QUEBEC / MARITIMES / WESTERN CANADA QUÉBEC / MARITIMES / OUEST CANADIEN QUEBEC / MARITIMOS / CANADA OCCIDENTAL <a href="http://houseofrohl.ca/support">houseofrohl.ca/support</a> 1-866-473-8442	ONTARIO <a href="http://houseofrohl.ca/support">houseofrohl.ca/support</a> 1-800-287-5354
		UNITED KINGDOM <a href="http://www.houseofrohl.uk">www.houseofrohl.uk</a> 01952 221100