

Florin FLO15

Fitting instructions

Notice d'installation

Instrucciones de montaje

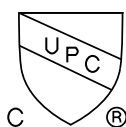
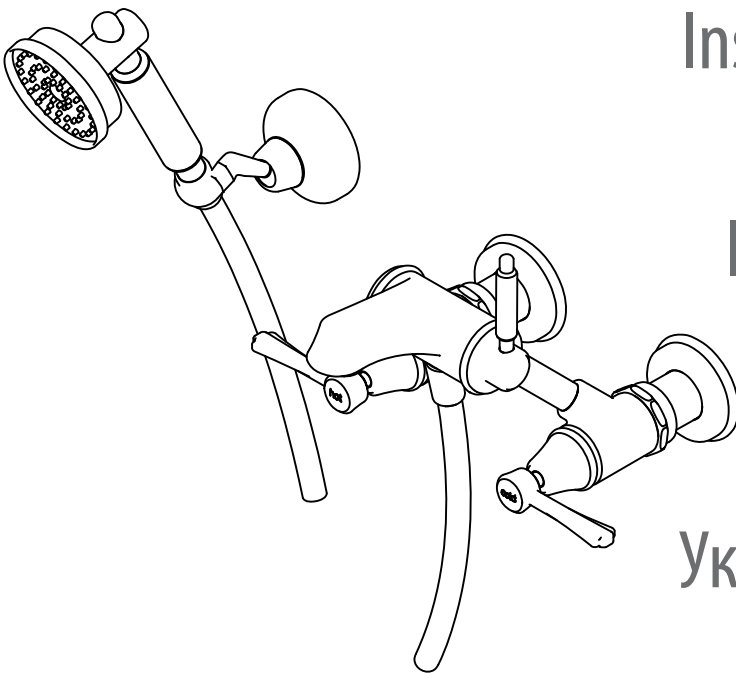
Montageanleitung

Istruzioni di montaggio

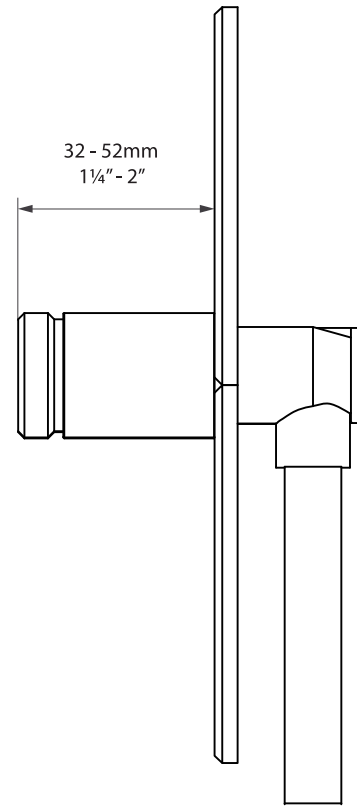
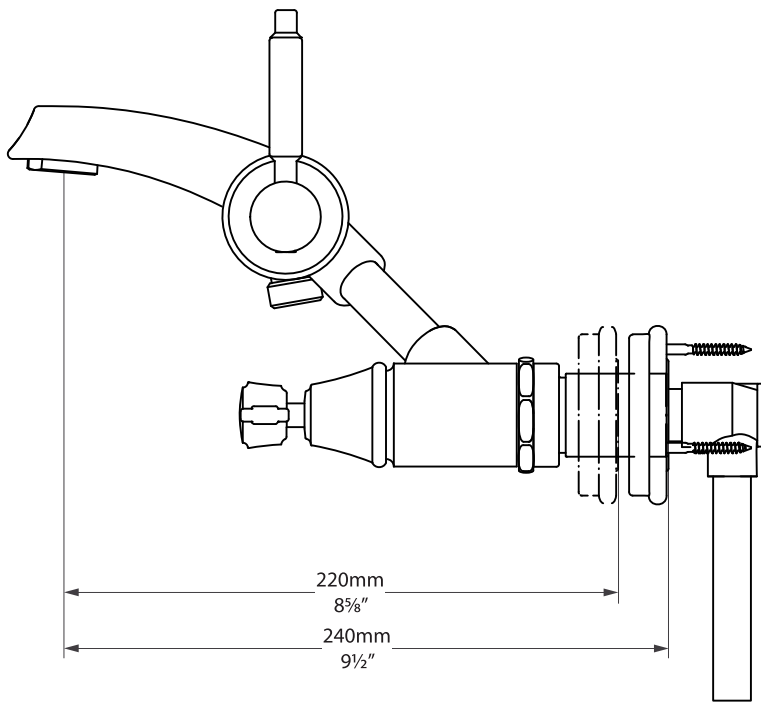
Montagehandleiding

Instrukcja montażu

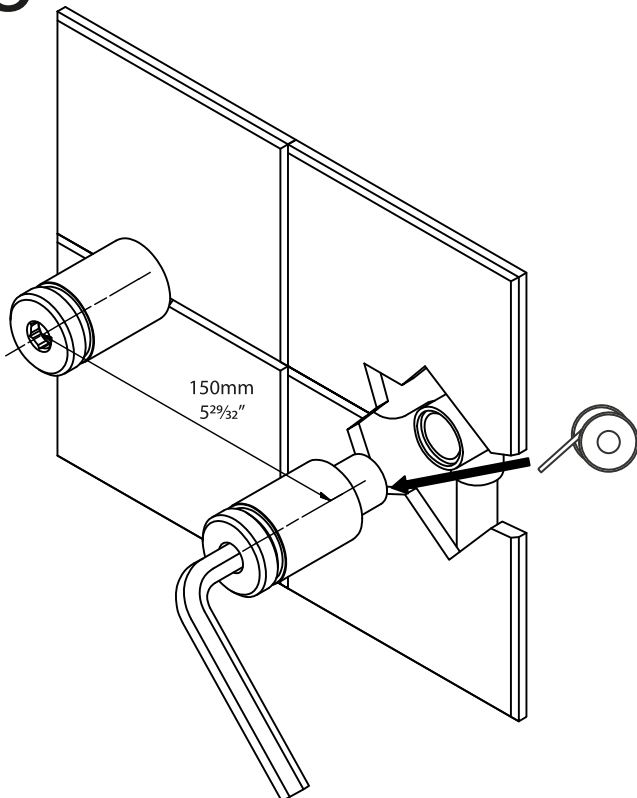
Указания по креплению



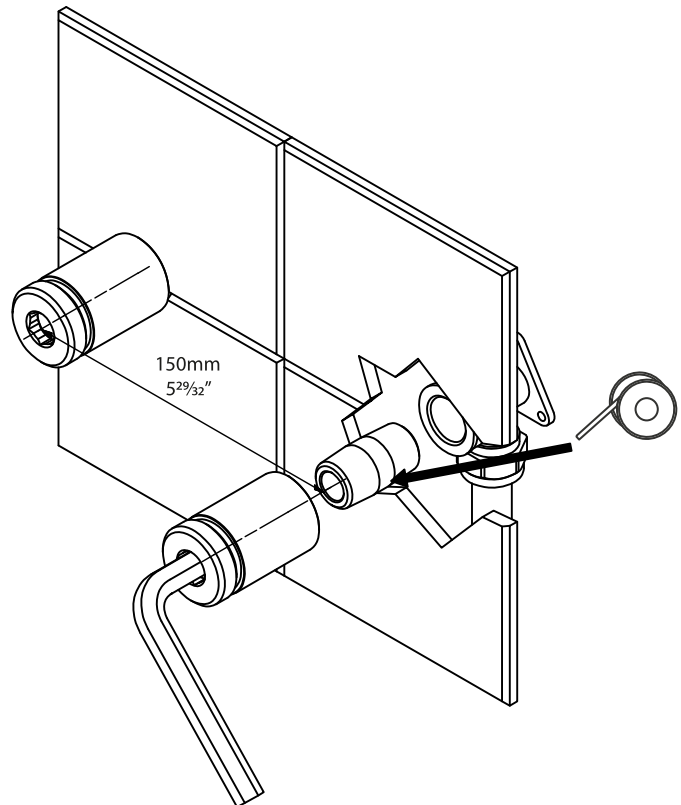
1.



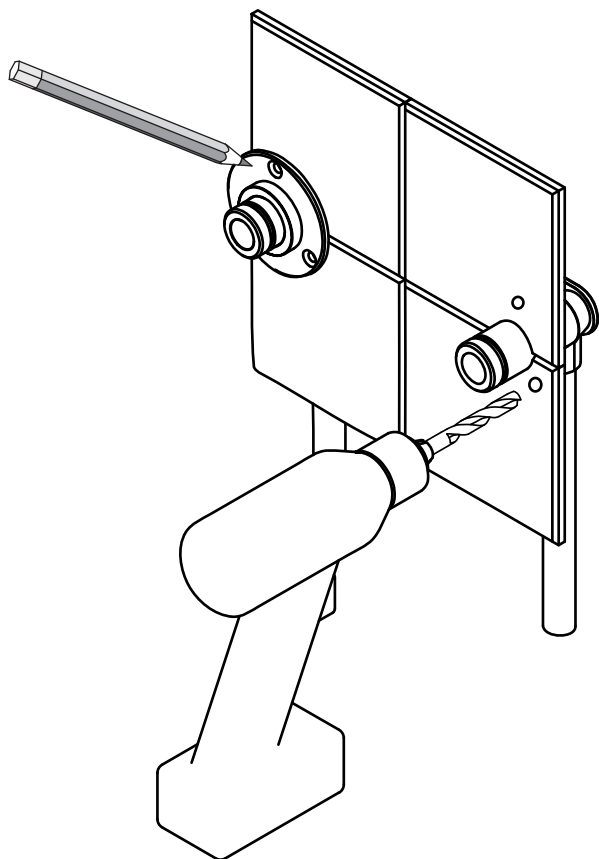
EU



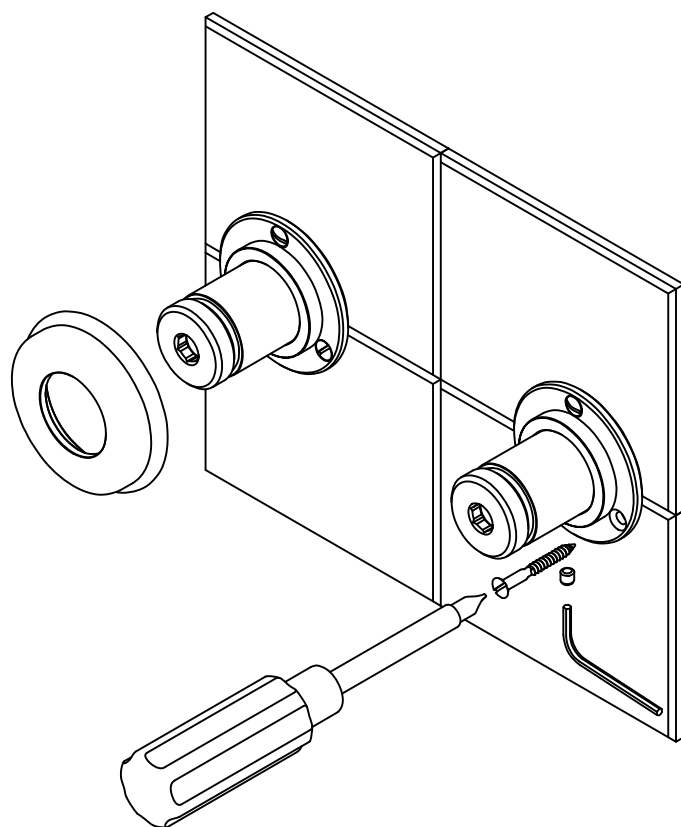
US



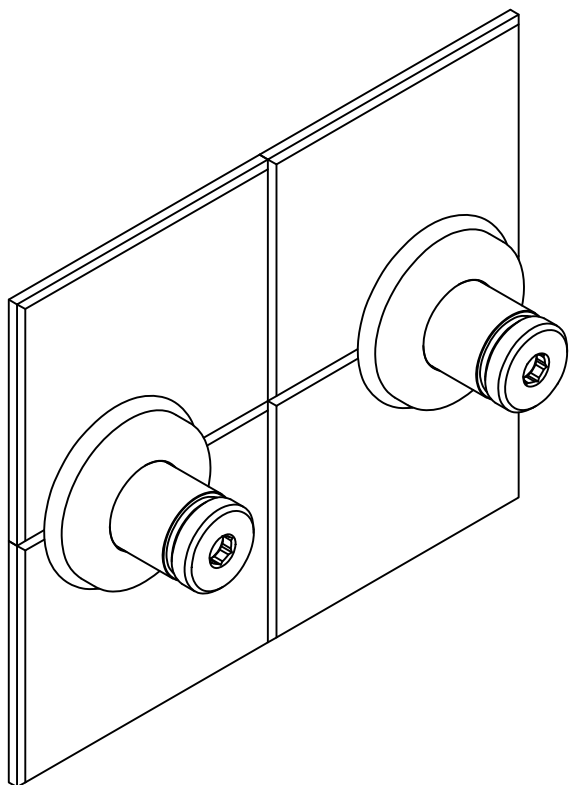
2.



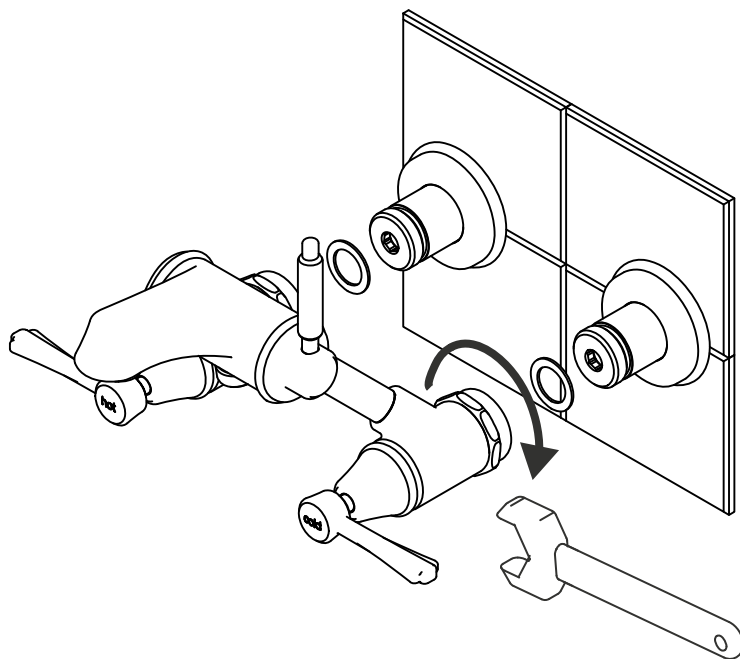
3.



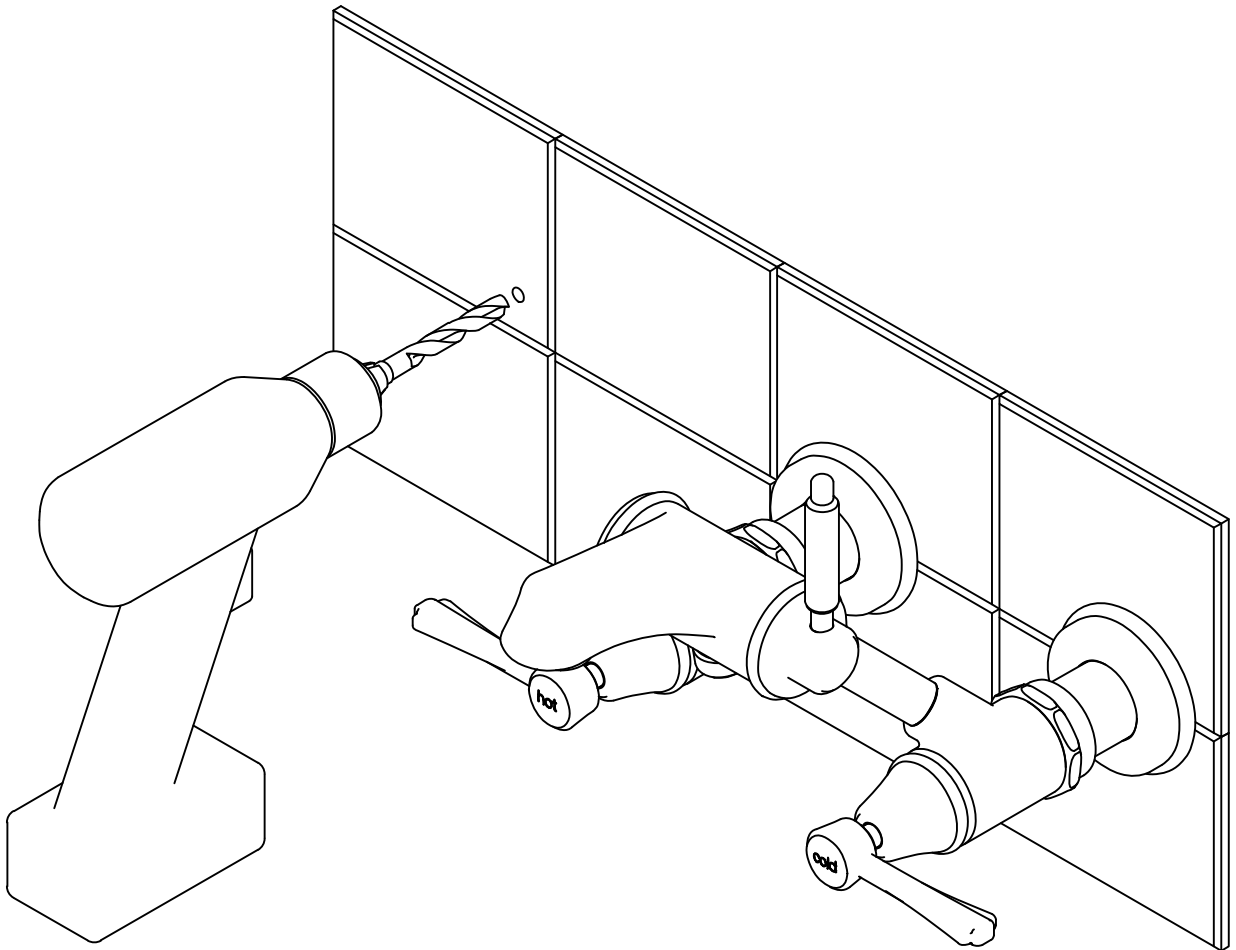
4.



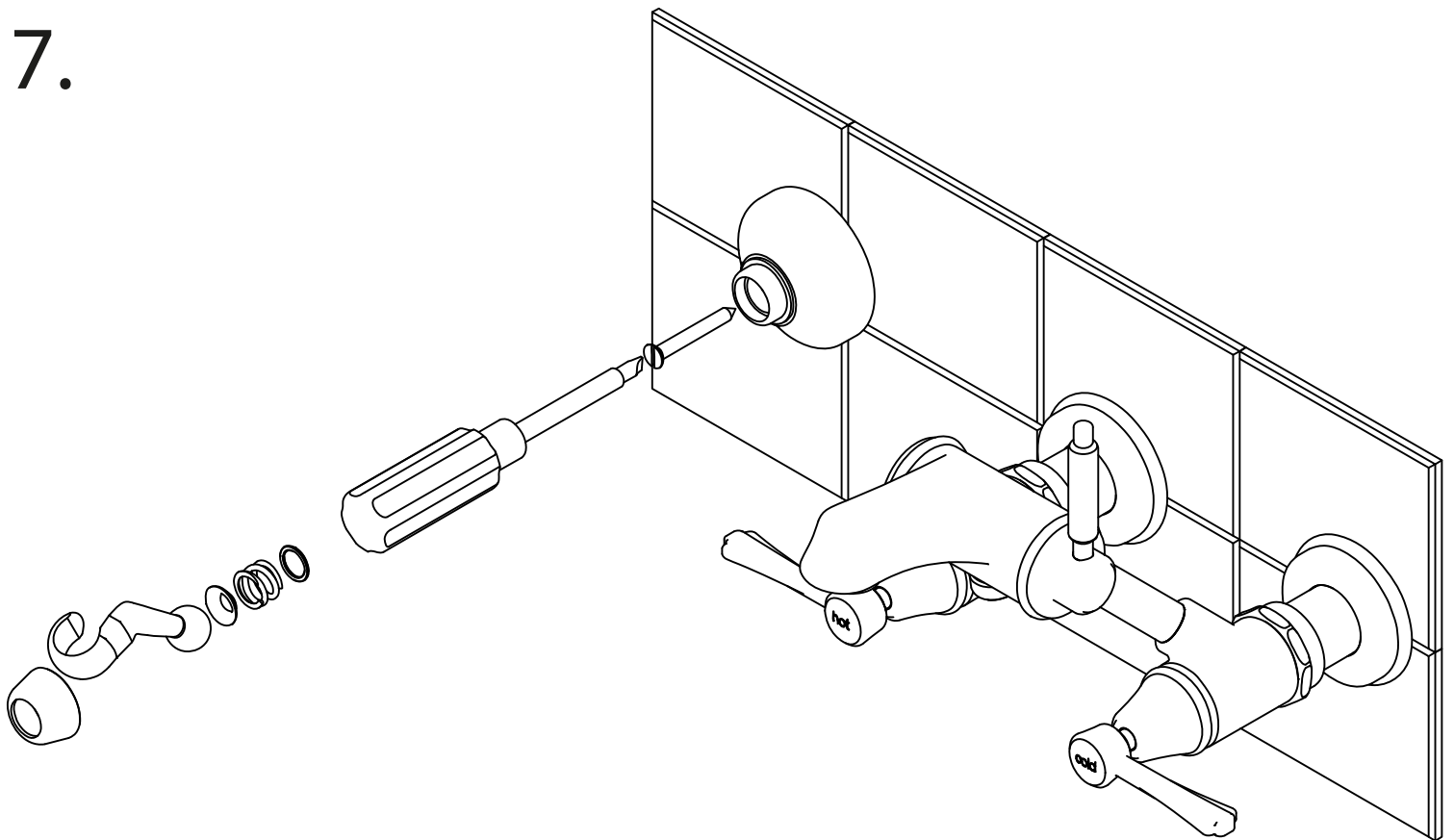
5.



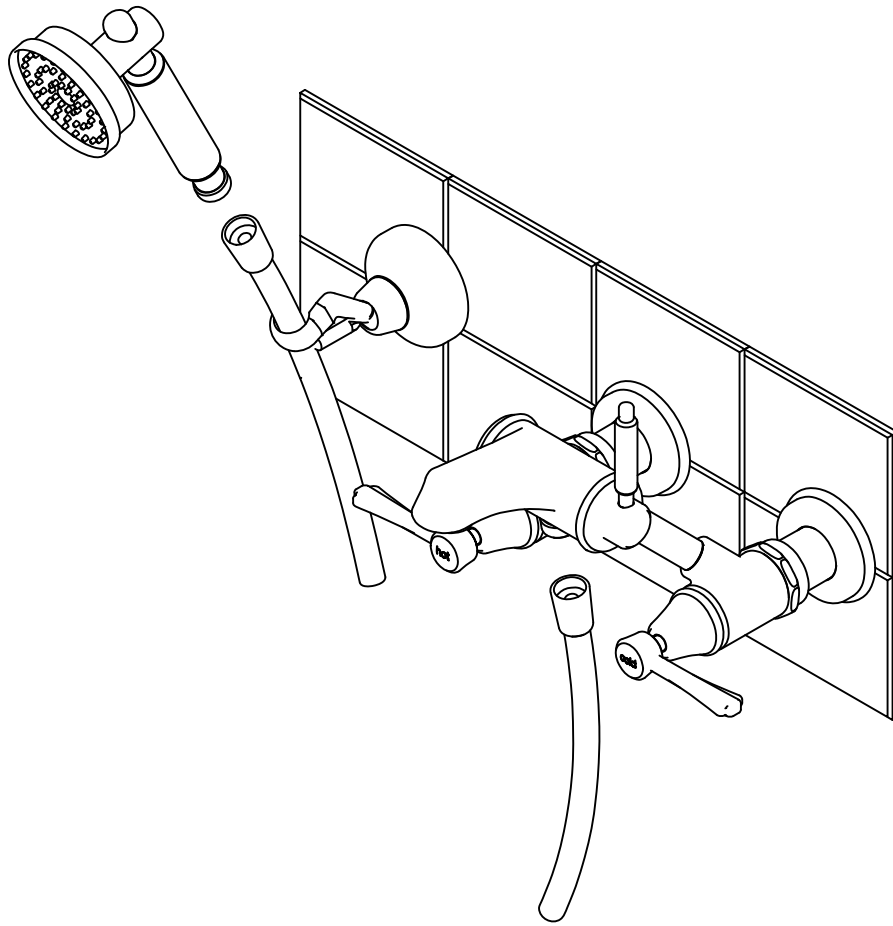
6.



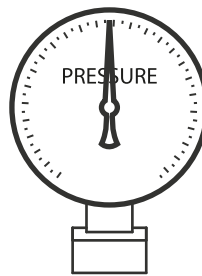
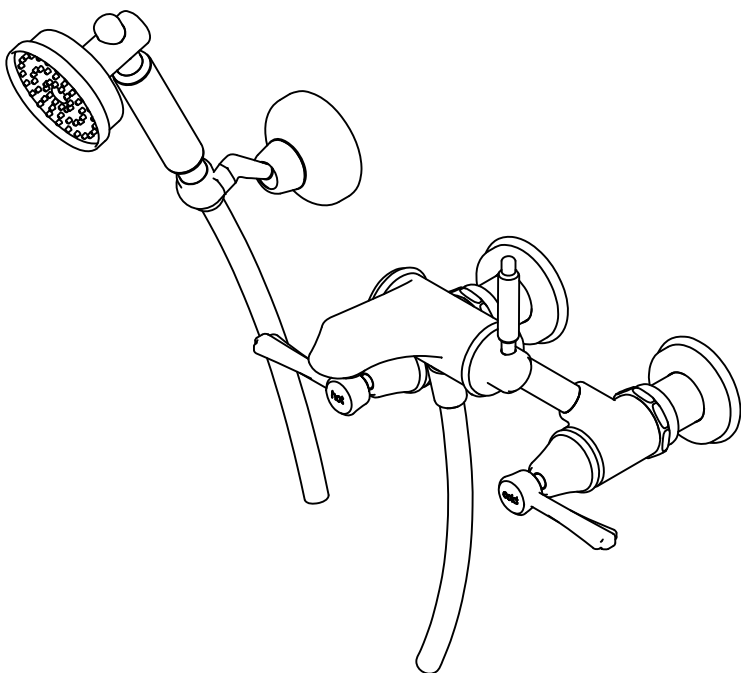
7.



8.



CHECK
COMPROBAR
VERIFER
ÜBERPRÜFEN



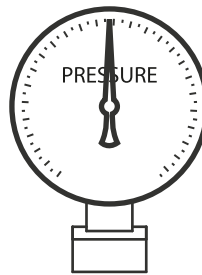
UK/EU

1 - 5 bar

Max 32 L/min @ 3.0 bar



Max 18 L/min



US/CA

7.5 - 72.5 psi

Max 8.5 gpm @ 45 psi



Max 6.8 L/min (1.8 gpm)



ASSE 1070 unit must be installed
at HOT SIDE INLET (not included)

Max temp outlet 120°F

- | | | |
|-----------------------|----------------------|---------------------|
| 1. Handset Holder | 11. Wall Plate (x2) | 21. O ring |
| 2. Cartridge Adaptor | 12. Wall Shroud | 22. Screw (x6) |
| 3. Adaptor | 13. Grub Screw | 23. Screw |
| 4. 1/4 Turn Cartridge | 14. Handset | 24. Screw |
| 5. Cold Handle | 15. Hose | 25. Aerator |
| 6. Hot Handle | 16. Cartridge Nut | 26. Main Body |
| 7. Screw | 17. Captive Nut (x2) | 27. Wall Union (x2) |
| 8. Cold Handle | 18. O ring | 28. Diverter Handle |
| 9. Hot Handle | 19. O ring | 29. Valve seat |
| 10. Non Return Valve | 20. O ring | 30. Washer |

