

# Florin 41



## Florin wall mounted fixed shower head and arm

The Florin Collection brings together modern, rounded forms with the linear shapes synonymous with Art Deco design. Made in England using traditional techniques.

- 0.5bar minimum

Polished chrome (shown)

## Wandmontierter Kopfbrause mit Arm

Die Florin Kollektion verbindet moderne, runde Formen mit geraden Linien im Art Deco Design. Made in England unter Verwendung traditioneller Techniken.

- Mindestdruck 0,5bar

Chrom poliert (abgebildet)

## Pomme de douche à fixation murale

La collection Florin allie formes modernes et arrondies et silhouette linéaire, typique du design Art Déco. Fabriquée en Angleterre à l'aide de techniques traditionnelles.

- Minimum 0,5bar

Chrome poli (voir photo)

## Ducha fija con brazo para montaje sobre pared

La Colección Florin une las formas modernas y redondas con las líneas propias del diseño art déco. Fabricada en Inglaterra a partir de técnicas tradicionales.

- Mínimo 0,5bar

Cromado brillante (ver foto)

## Soffione doccia fisso e braccio a parete

La collezione Florin accoppia curve moderne e rotonde con le forme lineari sinonimo di design Art Deco. Prodotto in Inghilterra utilizzando forme tradizionali.

- Minimo di 0,5 bar

Cromo lucido (mostrato)

 FLO-41-PC Polished chrome, Chrom poliert, Chrome poli, Cromado brillante, Cromo lucido

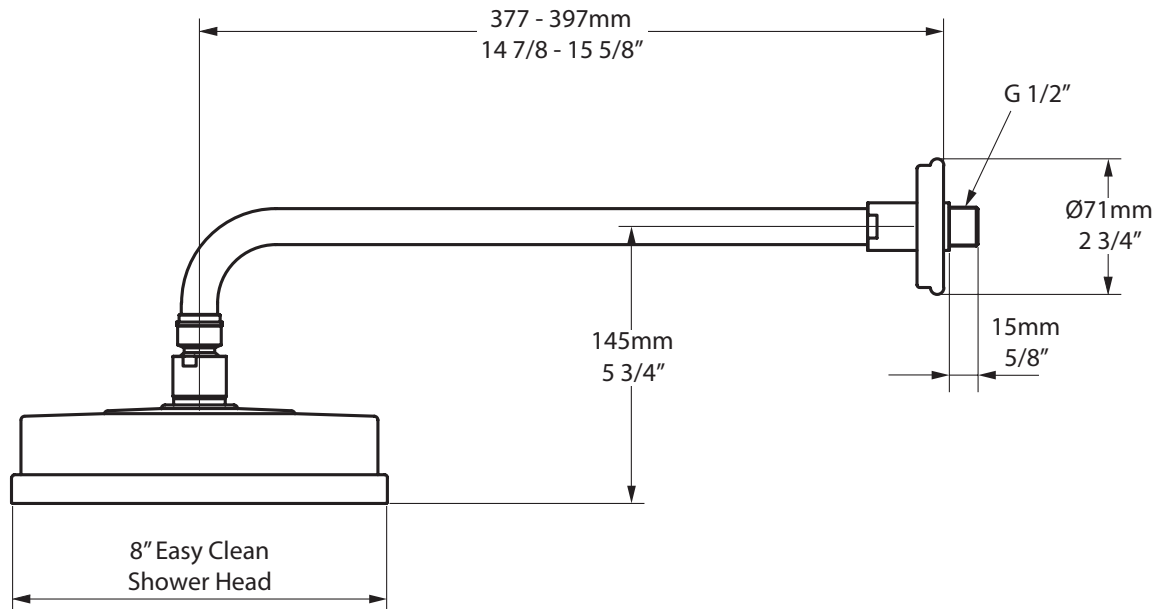
 FLO-41-PN Polished nickel, Nickel poliert, Nickel poli, Niquel brillante, nickel lucio

5  
years



Massachusetts Code: File No. Pending  
cUPC listing (ASME & CSA) by IAPMO: File No. Pending  
Lead Free listing (Safe Drinking Water Act & California Health & Safety Code) by IAPMO: File No. Pending  
Drinking Water Listing (NSF 61) by IAPMO: File No. Pending

# Florin 41 FLO-41-\*\*



## Florin 41

UK 0.5bar minimum, 1.0bar recommended

DE 0.5bar Minimum 1.0bar empfohlen

FR Minimum 0,5bar, 1,0bar recommandée

ES Mínimo 0,5bar, 1,0bar recomendado

IT Minimo di 0,5bar, 1,0bar raccomandata

\*All measurements subject to +/-5% tolerance



.dwg | .dxf | .skp [www.vandabaths.com](http://www.vandabaths.com)



Massachusetts Code: File No. Pending  
cUPC listing (ASME & CSA) by IAPMO: File No. Pending  
Lead Free listing (Safe Drinking Water Act & California Health & Safety Code) by IAPMO: File No. Pending  
Drinking Water Listing (NSF 61) by IAPMO: File No. Pending

VA/1204/01/Feb18