

**DESCRIPTION**

• Flip coin bath waste with integral overflow

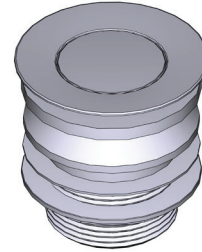
**STANDARDS**

• WMTS 040 (2022)

**WARRANTY**

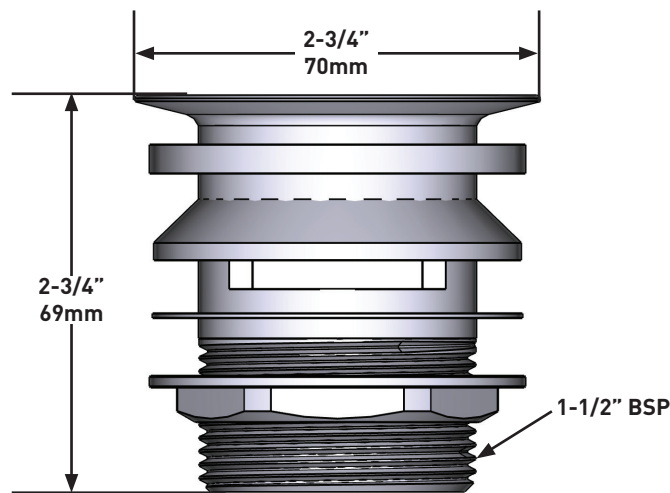
• Visit [www.vandabaths.com](http://www.vandabaths.com) for further information

**SPECIFICATIONS**



**Slotted flip plug bath drain**

**MODELS:** K-15



For care and cleaning, product warranty, and additional information contact:

**US Customers**

**U.S.A.**  
[houseofrohl.com/support](http://houseofrohl.com/support)  
 1-800-777-9762

**Canadian Customers**

Quebec / Maritimes / Western Canada  
 Québec / Maritimes / Ouest Canadien  
 Quebec / Maritimos / Canada Occidental  
[houseofrohl.ca/support](http://houseofrohl.ca/support)  
 1-866-473-8442

**EMEA Customers**

**United Kingdom**  
[www.houseofrohl.uk](http://www.houseofrohl.uk)  
 +44 (0) 1952 221 100