

SHAPE

- Oval

SIZE

- Length: 492mm, Width: 400mm, Height: 195mm

MATERIAL

- QUARRYCAST™

WEIGHT

- 5.1kg

CAPACITY

- 9.5L

INSTALLATION TYPE

- Undermount

DRAIN

- Includes an Internal Overflow
- Drain kit required, sold separately
- Recommended wastes: K-25, K-28

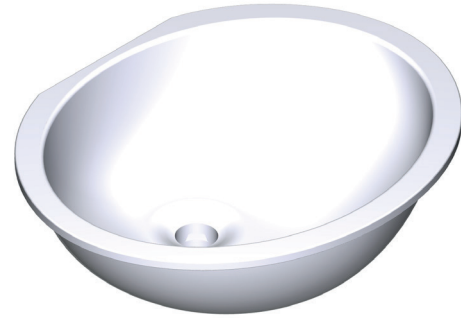
STANDARDS

- IAPMO pending

WARRANTY

- 25 years residential
- 8 years commercial
- Visit www.vandabaths.com for further information

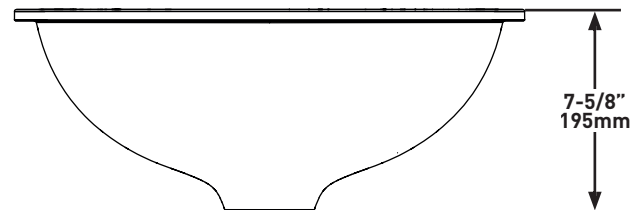
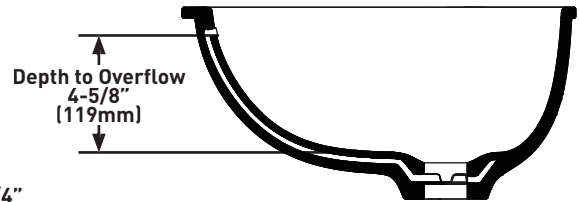
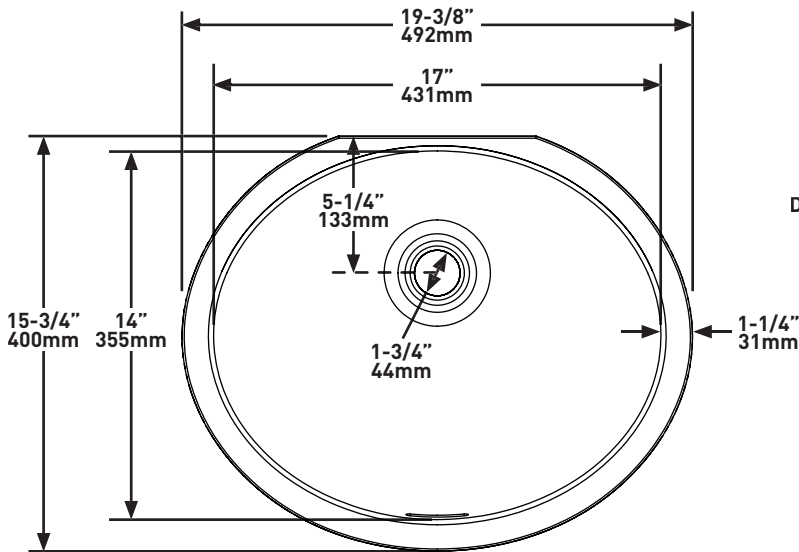
SPECIFICATIONS



LACENO™ 49

Undermount Oval Basin

MODELS: UB-LAC-49-10
UB-LAC49M-SM-10



For care and cleaning, product warranty, and additional information contact:

US Customers

U.S.A.
houseofrohl.com/support
1-800-777-9762

Canadian Customers

QUEBEC / MARITIMES / WESTERN CANADA
QUÉBEC / MARITIMES / OUEST CANADIEN
QUEBEC / MARITIMOS / CANADA OCCIDENTAL
houseofrohl.ca/support
1-866-473-8442

ONTARIO
houseofrohl.ca/support
1-800-287-5354

EMEA Customers

vandabaths.com
+44 (0) 1952 221 100

FORME

- Ovale

DIMENSIONS

- Longueur: 492mm, Largeur: 400mm, Hauteur: 195mm

MATÉRIAU

- QUARRYCAST™

POIDS

- 5.1kg

CAPACITÉ

- 9.5L

TYPE D'INSTALLATION

- Sous-plan

ÉVACUATION

- Trop-plein interne inclus
- Kit d'évacuation requis, vendu séparément
- Vidages recommandés: K-25, K-28

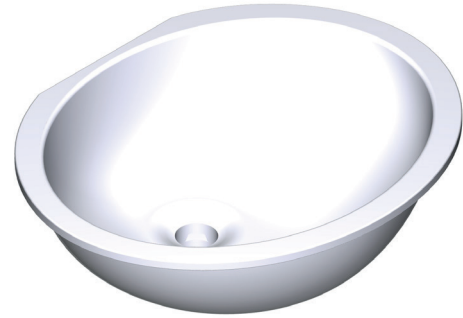
CERTIFICATIONS

- Certification IAPMO en cours

GARANTIE

- 25 années en utilisation domestique
- 8 années en utilisation professionnelle
- Pour davantage d'informations, rendez-vous sur vandabaths.com

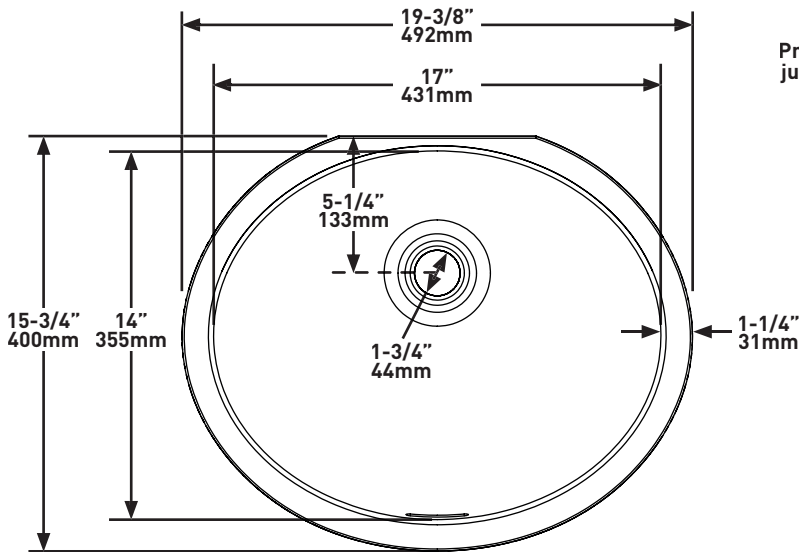
SPÉCIFICATIONS



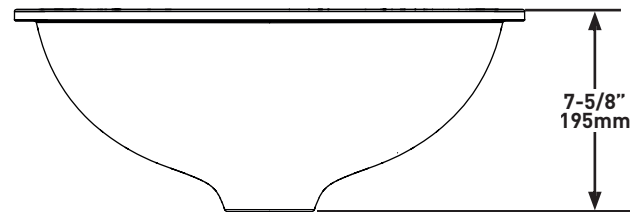
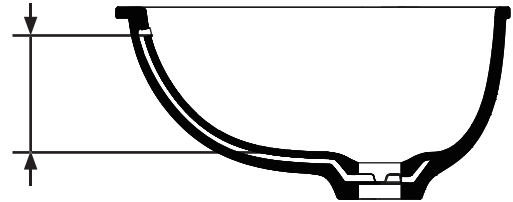
LACENO™ 49

Lavabo ovale sous-plan

MODÈLES : UB-LAC-49-10
UB-LAC49M-SM-10



Profondeur de l'eau
jusqu'au trop-plein
4-5/8\"
(119mm)



For care and cleaning, product warranty, and additional information contact:

US Customers

U.S.A.
houseofrohl.com/support
1-800-777-9762

Canadian Customers

QUEBEC / MARITIMES / WESTERN CANADA
QUÉBEC / MARITIMES / OUEST CANADIEN
QUEBEC / MARITIMOS / CANADA OCCIDENTAL
houseofrohl.ca/support
1-866-473-8442

EMEA Customers

vandabaths.com
+44 (0) 1952 221 100

TECHNISCHES DATENBLATT

FORM

- Oval

GRÖSSE

- Länge: 492mm, Breite: 400mm, Höhe: 195mm

MATERIAL

- QUARRYCAST™

GEWICHT

- 5.1kg

KAPAZITÄT

- 9.5L

INSTALLATIONSART

- Unterbau

ABFLUSS

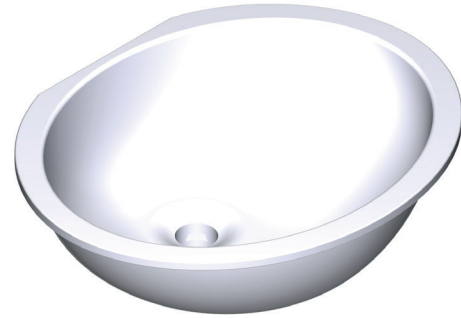
- Mit internem Überlauf
- Abflussgarnitur erforderlich, separat erhältlich
- Empfohlene Ablaufventile: K-25, K-28

ZERTIFIZIERUNGEN

- IAPMO ausstehend

GARANTIE

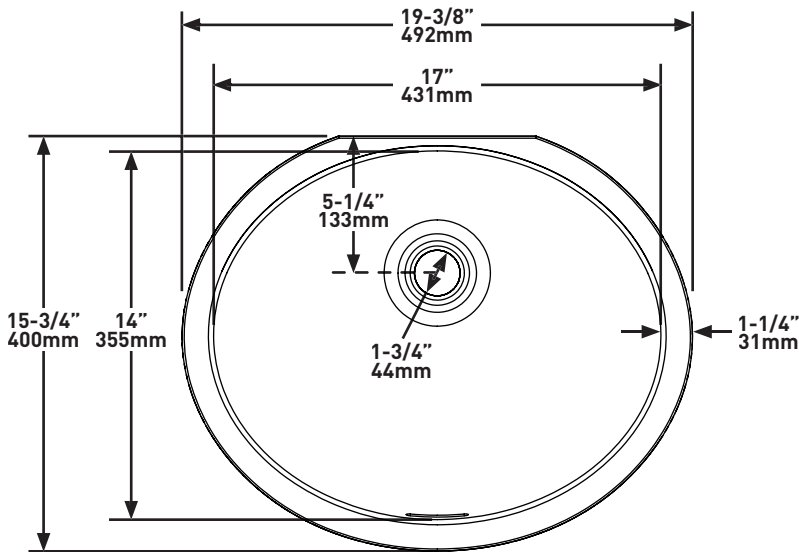
- 25 Jahre private Nutzung
- 8 Jahre gewerbliche Nutzung
- Weitere Informationen unter vandabaths.com



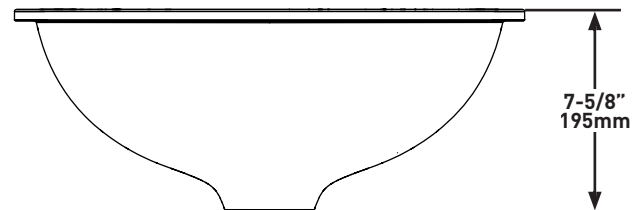
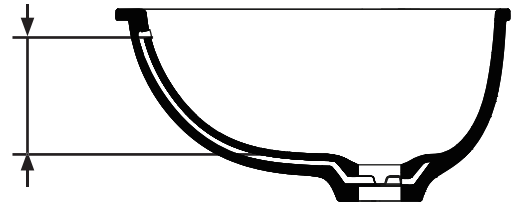
LACENO™ 49

Ovales Unterbaubecken

MODELLE: UB-LAC-49-10
UB-LAC49M-SM-10



Tiefe bis zum
Überlauf
4-5/8\"
(119mm)



For care and cleaning, product warranty, and additional information contact:

US Customers

U.S.A.
houseofrohl.com/support
1-800-777-9762

Canadian Customers

QUEBEC / MARITIMES / WESTERN CANADA
QUÉBEC / MARITIMES / OUEST CANADIEN
QUEBEC / MARITIMOS / CANADA OCCIDENTAL
houseofrohl.ca/support
1-866-473-8442

EMEA Customers

vandabaths.com
+44 (0) 1952 221 100

SPECIFICHE TECNICHE

FORMA

- Ovale

DIMENSIONI

- Lunghezza: 492mm, Larghezza: 400mm, Altezza: 195mm

MATERIALE

- QUARRYCAST™

PESO

- 5.1kg

CAPACITÀ

- 9.5L

TIPO DI INSTALLAZIONE

- Sottopiano

SCARICO

- Comprende un troppopieno interno
- Kit per scarico necessario, venduto separatamente
- Scarichi raccomandati: K-25, K-28

STANDARD

- IAPMO - in attesa

GARANZIA

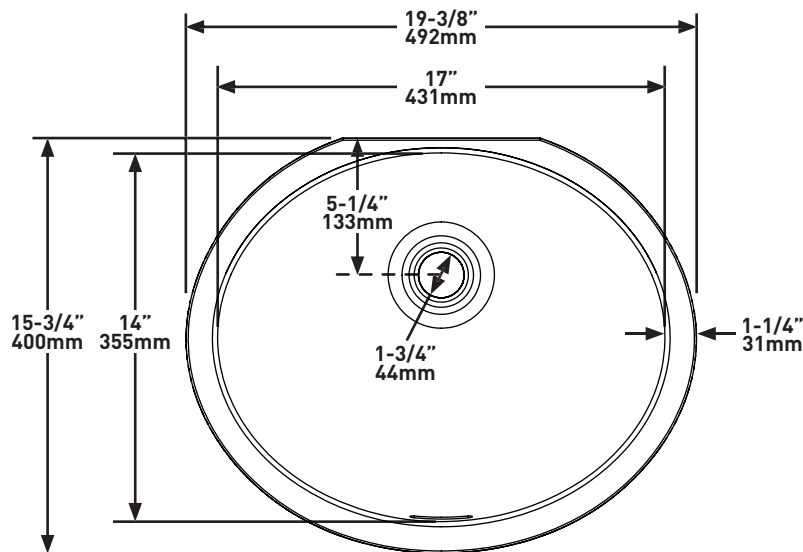
- 25 anni residenziale
- 8 anni commerciale
- Per maggiori informazioni visita vandabaths.com



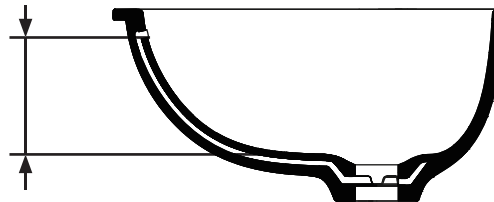
LACENO™ 49

Lavabo ovale sottopiano

MODELLI: UB-LAC-49-IO
UB-LAC49M-SM-IO



Profondità per troppopieno
4-5/8\"
(119mm)



For care and cleaning, product warranty, and additional information contact:

US Customers

U.S.A.
houseofrohl.com/support
1-800-777-9762

Canadian Customers

QUEBEC / MARITIMES / WESTERN CANADA
QUÉBEC / MARITIMES / OUEST CANADIEN
QUEBEC / MARITIMOS / CANADA OCCIDENTAL
houseofrohl.ca/support
1-866-473-8442

EMEA Customers

vandabaths.com
+44 (0) 1952 221 100

ESPECIFICACIONES

FORMA

- Oval

TAMAÑO

- Longitud: 492mm, Anchura: 400mm, Alto: 195mm

MATERIAL

- QUARRYCAST™

PESO

- 5.1kg

CAPACIDAD

- 9.5L

TIPO DE INSTALACIÓN

- Bajo encimera

DESAGÜE

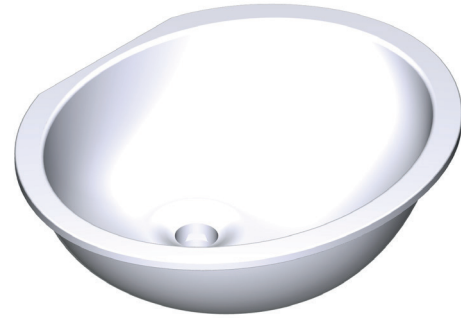
- Incluye rebosadero interno
- Requiere kit de desagüe que se vende por separado
- Desagües recomendados: K-25, K-28

ESTÁNDARES

- Pendiente de IAPMO

GARANTÍA

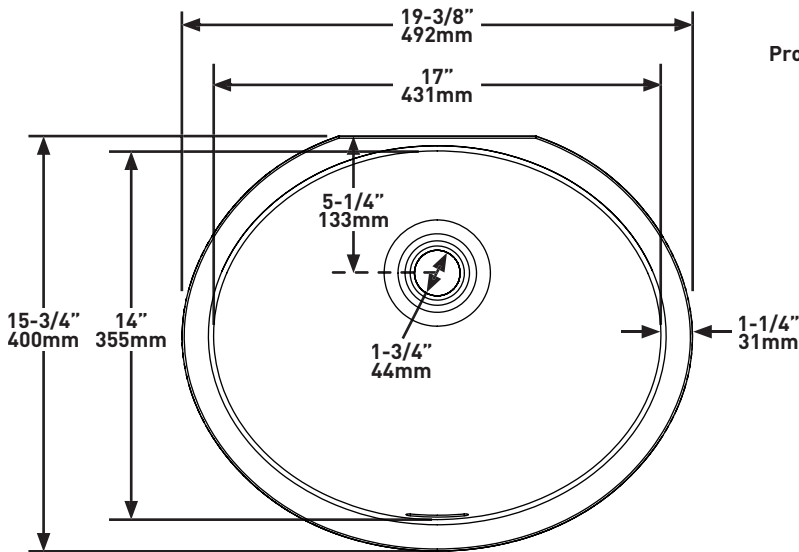
- 25 años para un uso residencial
- 8 años para un uso comercial
- Para más información, visite vandabaths.com



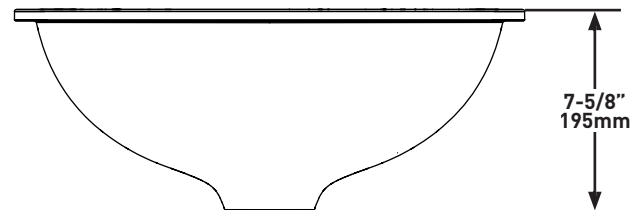
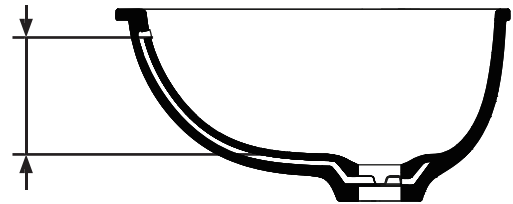
LACENO™ 49

Lavabo oval bajo encimera

MODELOS: UB-LAC-49-IO
UB-LAC49M-SM-IO



Profundidad hasta el rebosadero 4-5/8\"/>



For care and cleaning, product warranty, and additional information contact:

US Customers

U.S.A.
houseofrohl.com/support
1-800-777-9762

Canadian Customers

QUEBEC / MARITIMES / WESTERN CANADA
QUÉBEC / MARITIMES / OUEST CANADIEN
QUEBEC / MARITIMOS / CANADA OCCIDENTAL
houseofrohl.ca/support
1-866-473-8442

EMEA Customers

vandabaths.com
+44 (0) 1952 221 100

VORM

- Ovaal

FORMAAT

- Lengte: 492mm, Breedte: 400mm, Hoogte: 195mm

MATERIAAL

- QUARRYCAST™

GEWICHT

- 5.1kg

CAPACITEIT

- 9.5L

SOORT INSTALLATIE

- Onderbouw

AFVOER

- Inclusief een interne overloop
- Afvoerset vereist, apart verkrijgbaar
- Aanbevolen afvoer: K-25, K-28

CERTIFICERING

- In afwachting van IAPMO

GARANTIE

- 25 jaar residentieel
- 8 jaar commercieel
- Voor meer informatie, bezoek vandabaths.com

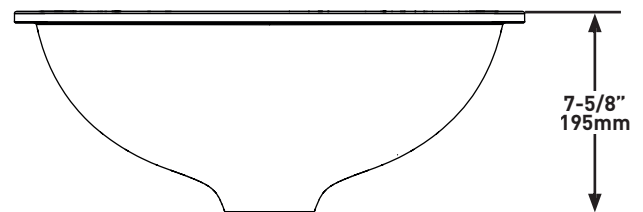
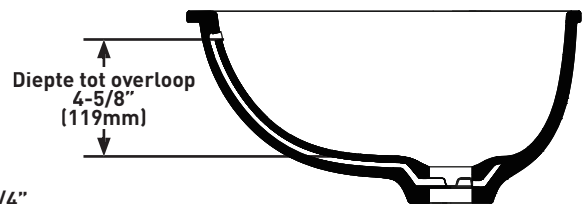
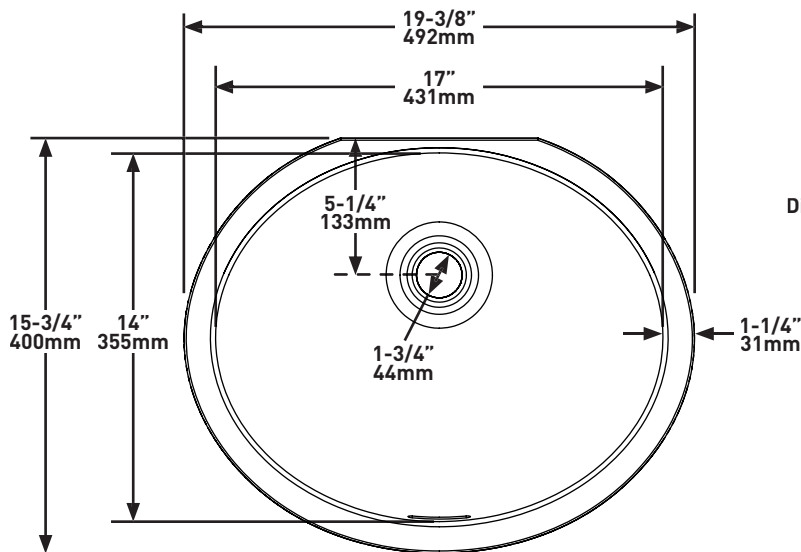
SPECIFICATIES



LACENO™ 49

Ovale onderbouw wastafel

MODELLEN: UB-LAC-49-10
UB-LAC49M-SM-10



For care and cleaning, product warranty, and additional information contact:

US Customers

U.S.A.
houseofrohl.com/support
1-800-777-9762

Canadian Customers

QUEBEC / MARITIMES / WESTERN CANADA
QUÉBEC / MARITIMES / OUEST CANADIEN
QUEBEC / MARITIMOS / CANADA OCCIDENTAL
houseofrohl.ca/support
1-866-473-8442

ONTARIO
houseofrohl.ca/support
1-800-287-5354

EMEA Customers

vandabaths.com
+44 (0) 1952 221 100