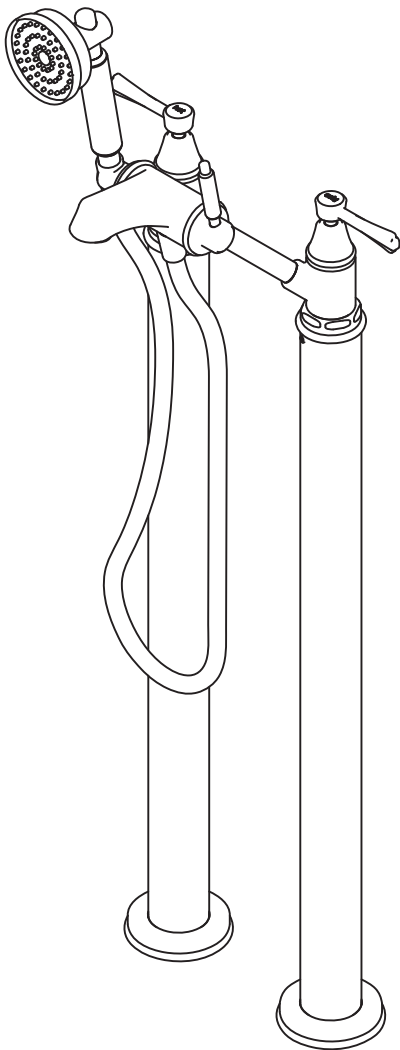
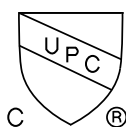


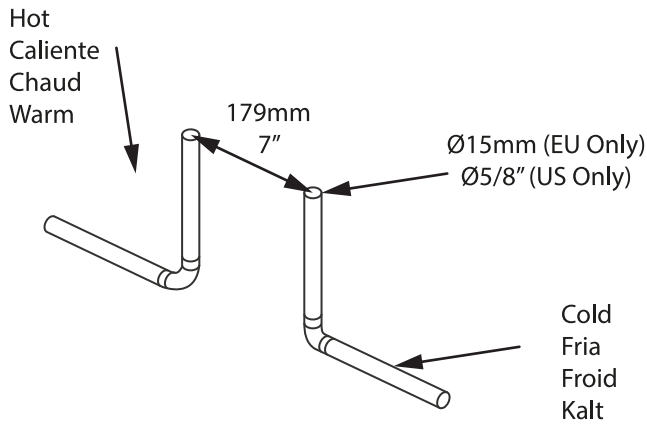
Florin 26



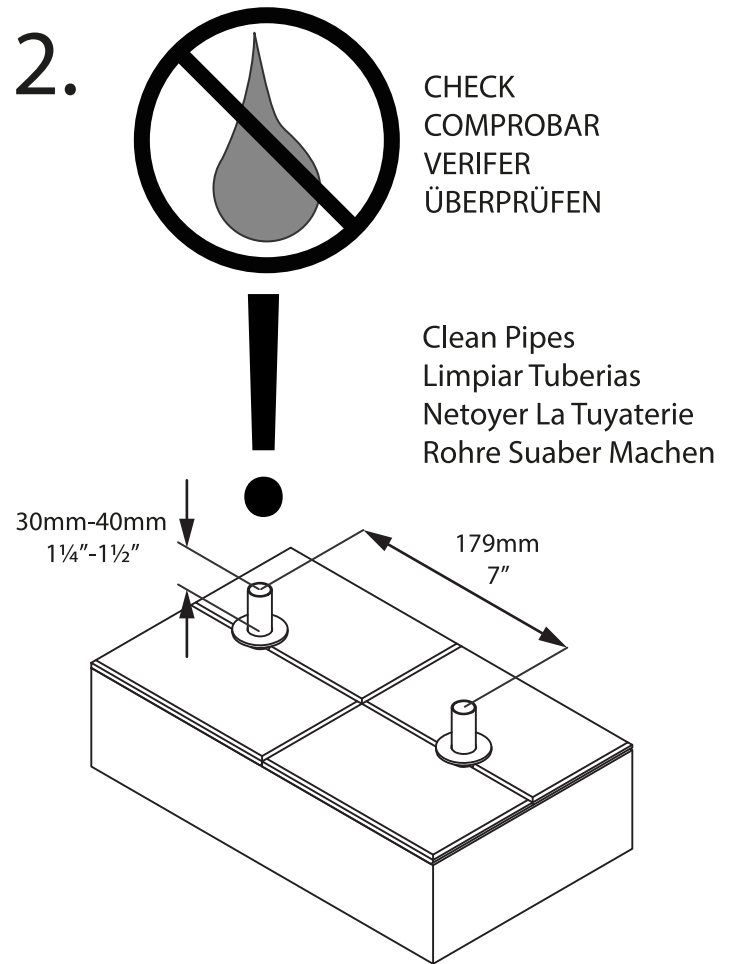
Fitting instructions
Notice d'installation
Instrucciones de montaje
Montageanleitung
Istruzioni di montaggio
Montagehandleiding
Instrukcja montażu
Указания по креплению



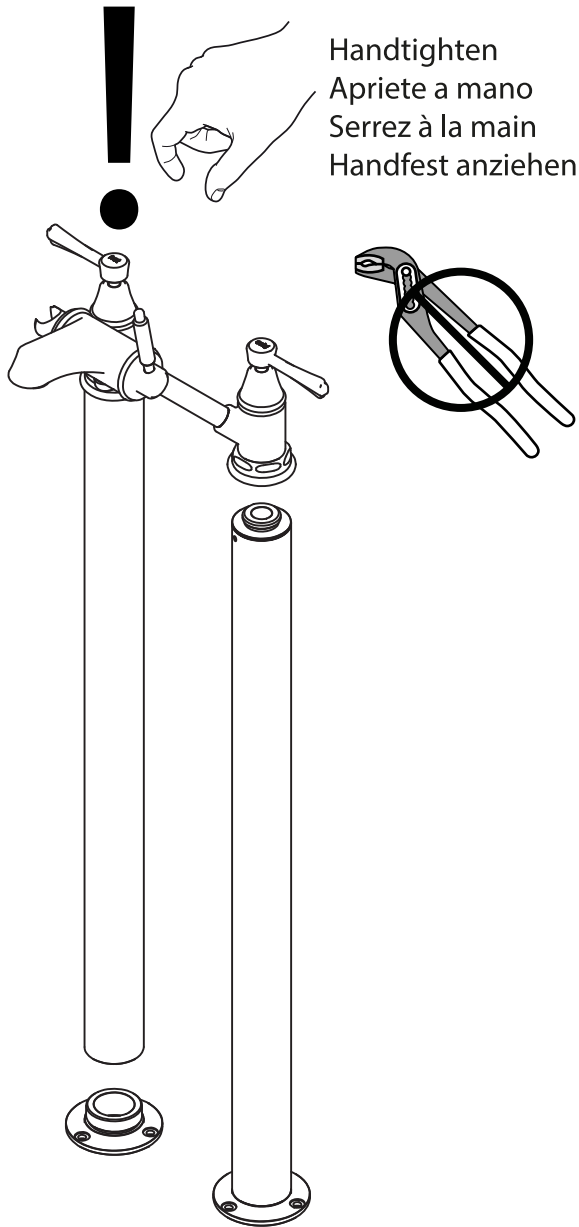
1.



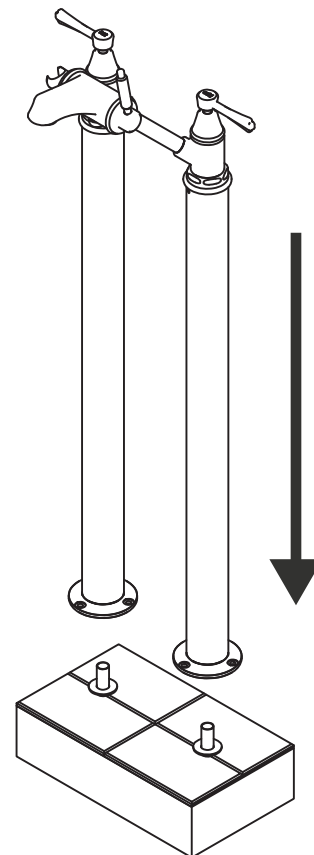
2.



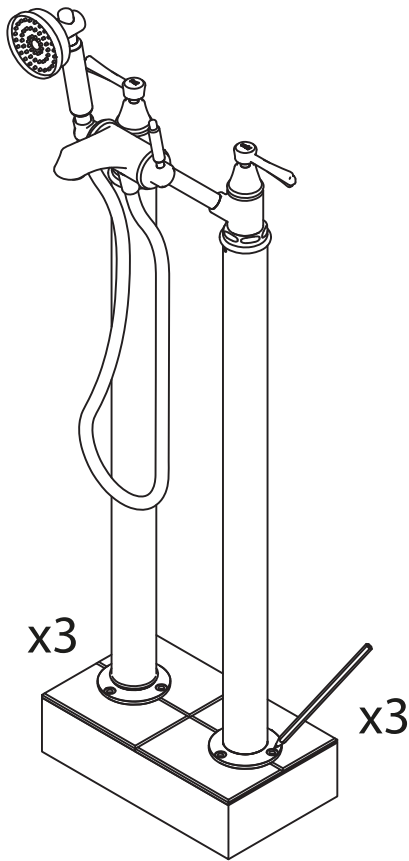
3.



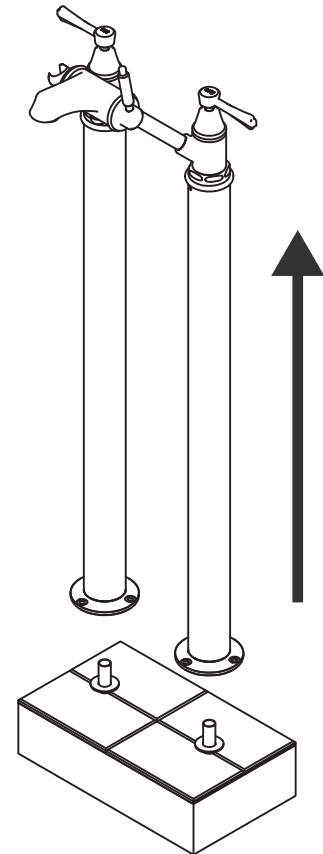
4.



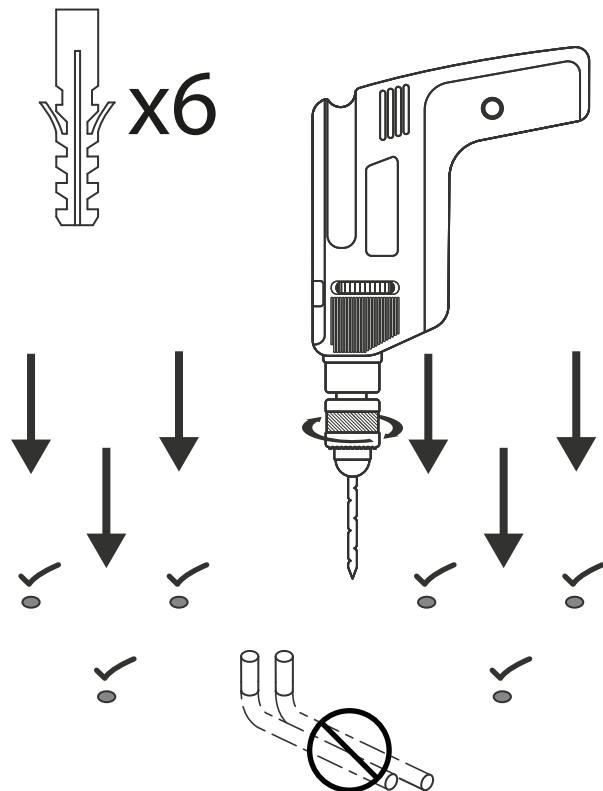
5.



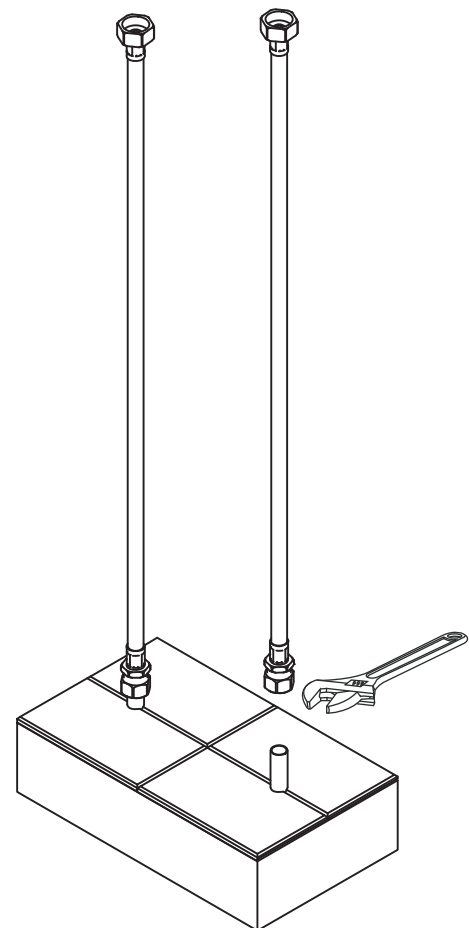
6.



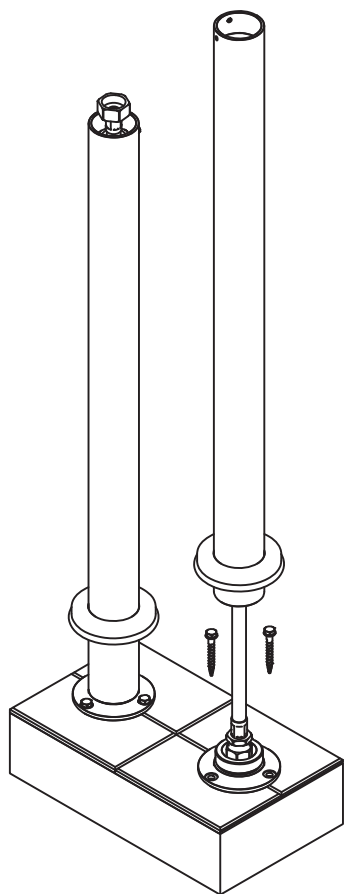
7.



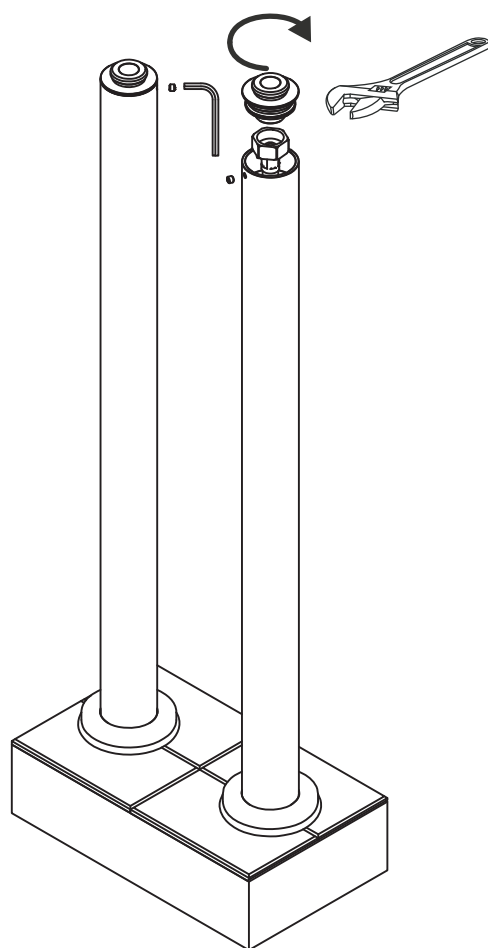
8.



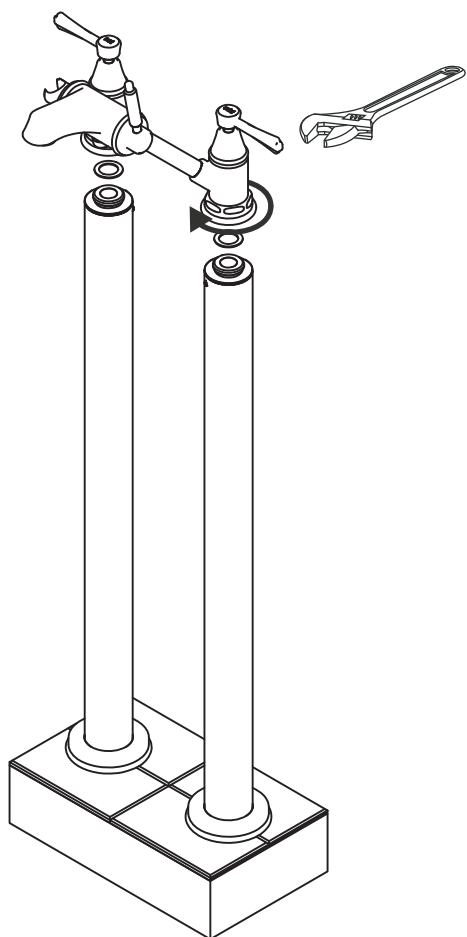
9.



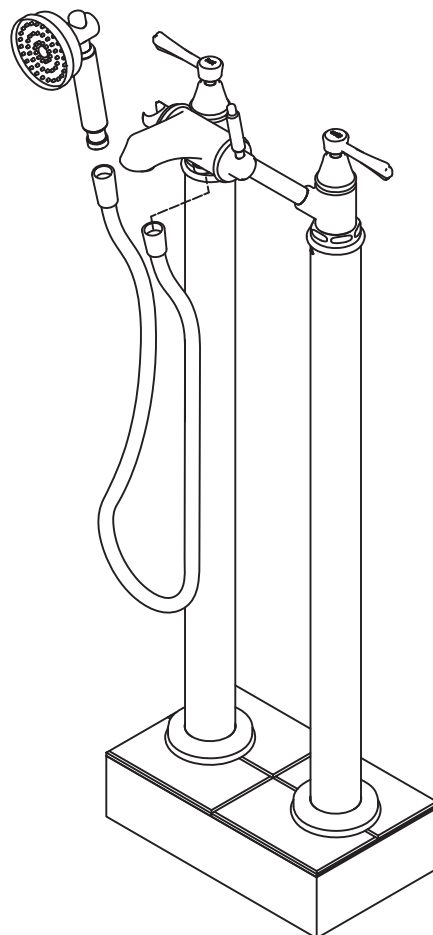
10.

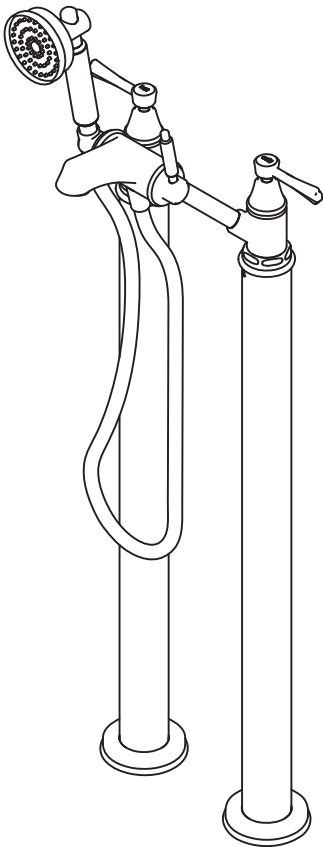


11.

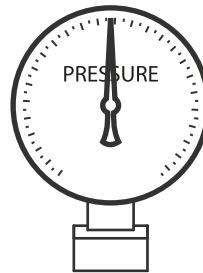


12.





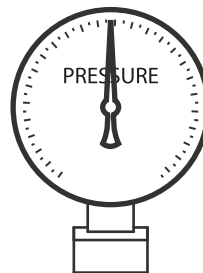
CHECK
COMPROBAR
VERIFER
ÜBERPRÜFEN



UK/EU

1 - 5 Bar

Max 30L/min @ 3.0 Bar



US/CA

14.5 - 72.5 psi

Max 8 gpm @ 45 psi

Max 6.8 L/min (1.8 gpm)

ASSE 1070 unit must be installed
at HOT SIDE INLET (not included)

Max temp outlet 120°F



- 1. Cartridge Adaptor
- 2. Aerator
- 3. Adaptor
- 4. Adaptor
- 5. 1/4 Turn Cartridge
- 6. Diverter Cartridge
- 7. Retaining Ring
- 8. Check Valve
- 9. Grub Screw
- 10. Hand Shower Holder

- 11. Hand Shower
- 12. Shower Rose
- 13. Cold Handle
- 14. Hot Handle
- 15. Cartridge Nut
- 16. Hose
- 17. Body Nut
- 18. O Ring
- 19. Valve Seat
- 20. Screw

- 21. Diverter Handle
- 22. Main Body
- 23. Screw
- 24. Tube
- 25. Flexible Tail
- 26. Grub Screw
- 27. O Ring
- 28. Floor Shroud
- 29. Screw
- 30. Leg Flange

