

SHAPE

- Oval

SIZE

- Length: 1775 mm, Width: 798 mm, Height: 606 mm

MATERIAL

- QUARRYCAST™

DRAIN HOLE

- Centered

WEIGHT

- 87 kg

CAPACITY

- 466 Litres

INSTALLATION TYPE

- Freestanding

Note: All baths in Australia come standard without an overflow

FINISH

- Gloss White (SW), Matt White (SM)

DRAIN

- Drain kit required, sold separately
- Recommended wastes: K-12, K-17

STANDARDS

- CSA B45.5 / IAPMO Z124

WARRANTY

- Refer to the website in the footer to locate the applicable warranty for different regions.

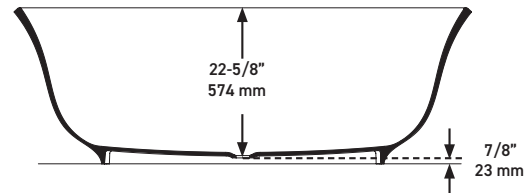
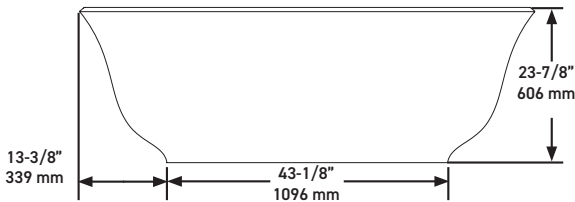
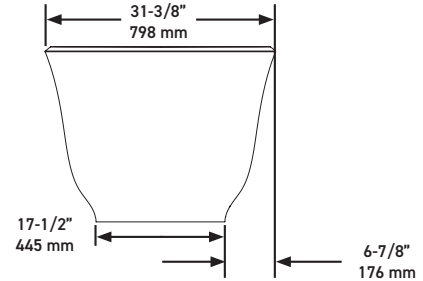
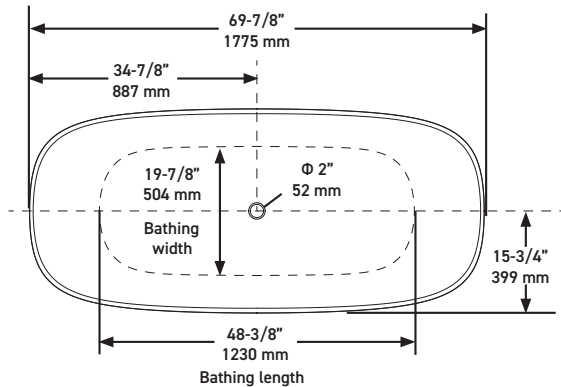
SPECIFICATIONS



AMIATA™ 1800

Freestanding Bath

MODELS: AMT3-N-SW-NO, AMT3M-N-SM-NO



For care and cleaning, product warranty, and additional information contact:

US Customers

U.S.A.
houseofrohl.com/support
1-800-777-9762

Canadian Customers

Quebec / Maritimes / Western Canada
Québec / Maritimes / Ouest Canadien
Quebec / Maritimos / Canada Occidental
houseofrohl.ca/support
1-866-473-8442

EMEA Customers

www.houseofrohl.design
+44 (0) 3338 000 011

