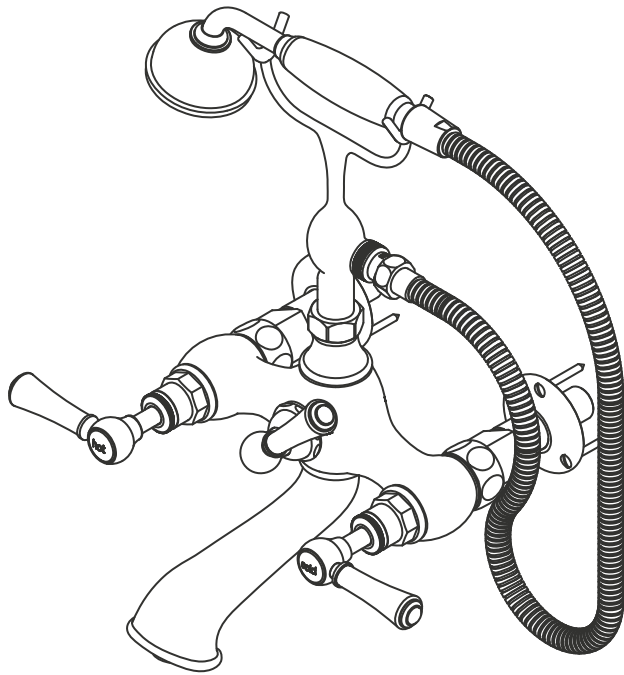


Staffordshire STA15



Fitting instructions

Notice d'installation

Instrucciones de montaje

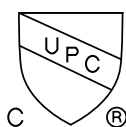
Montageanleitung

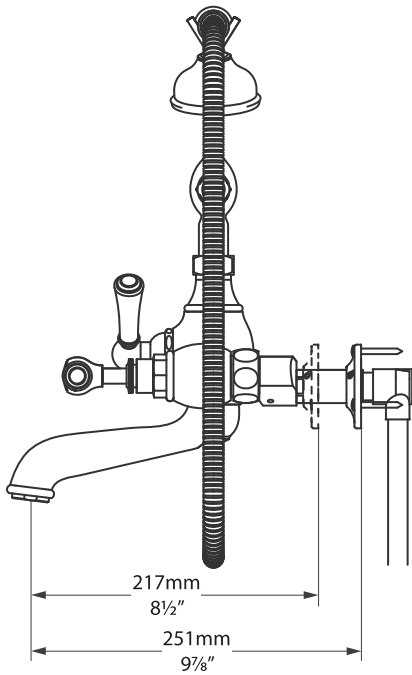
Istruzioni di montaggio

Montagehandleiding

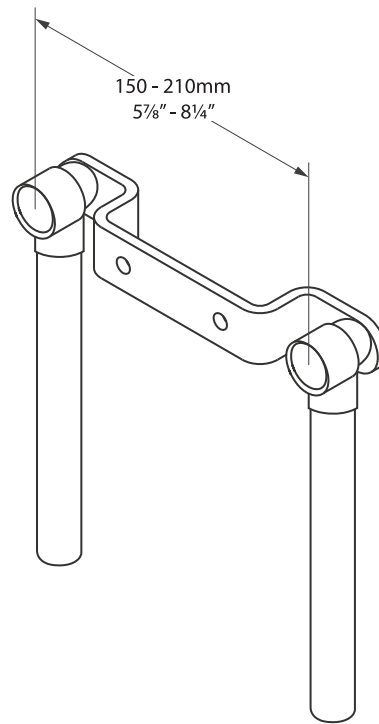
Instrukcja montażu

Указания по креплению

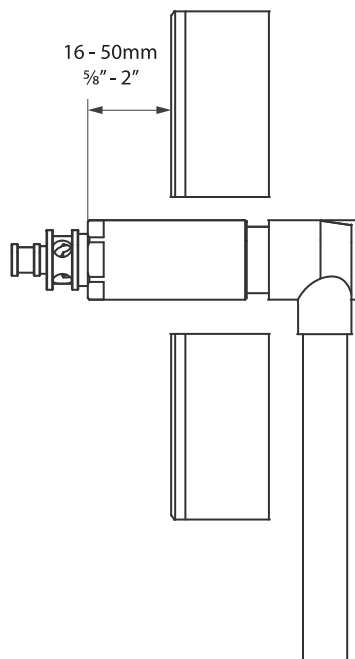




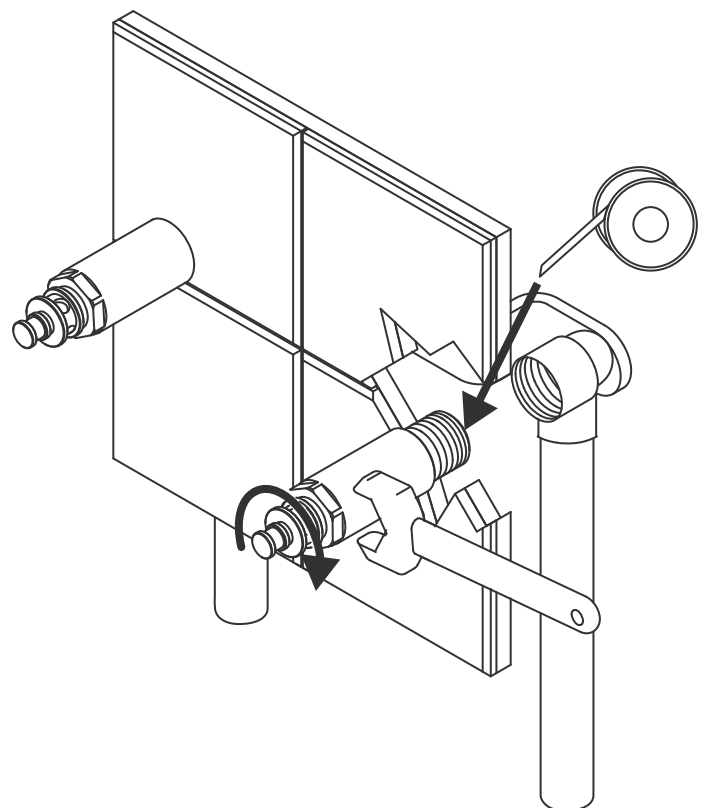
1.



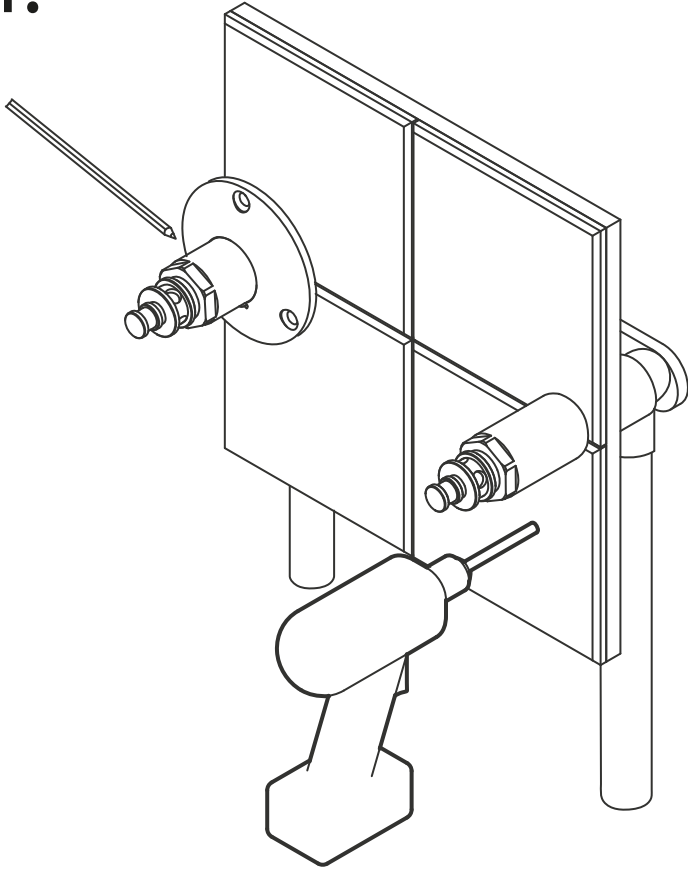
2.



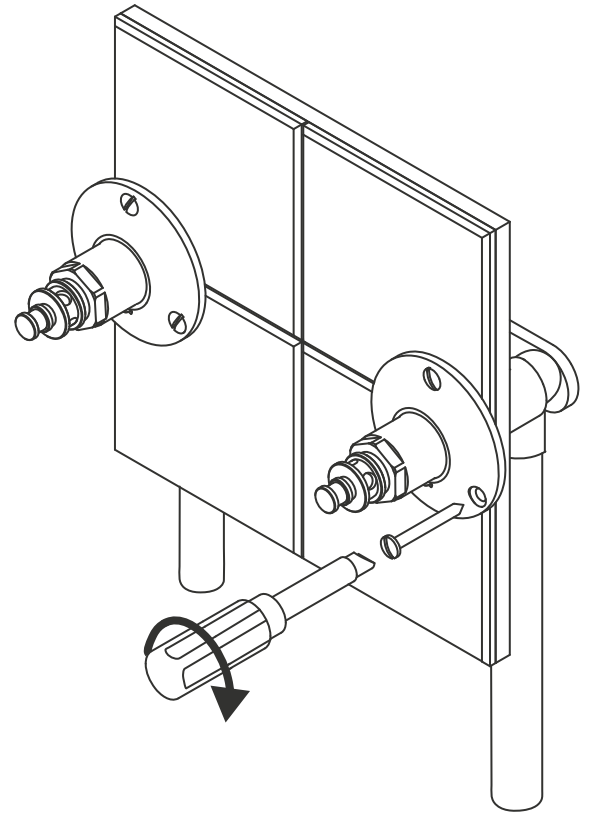
3.



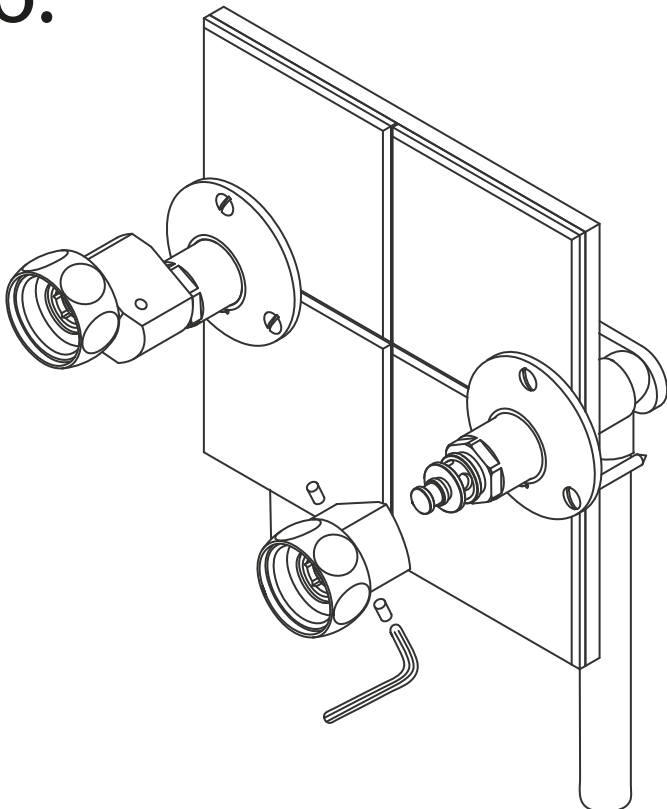
4.



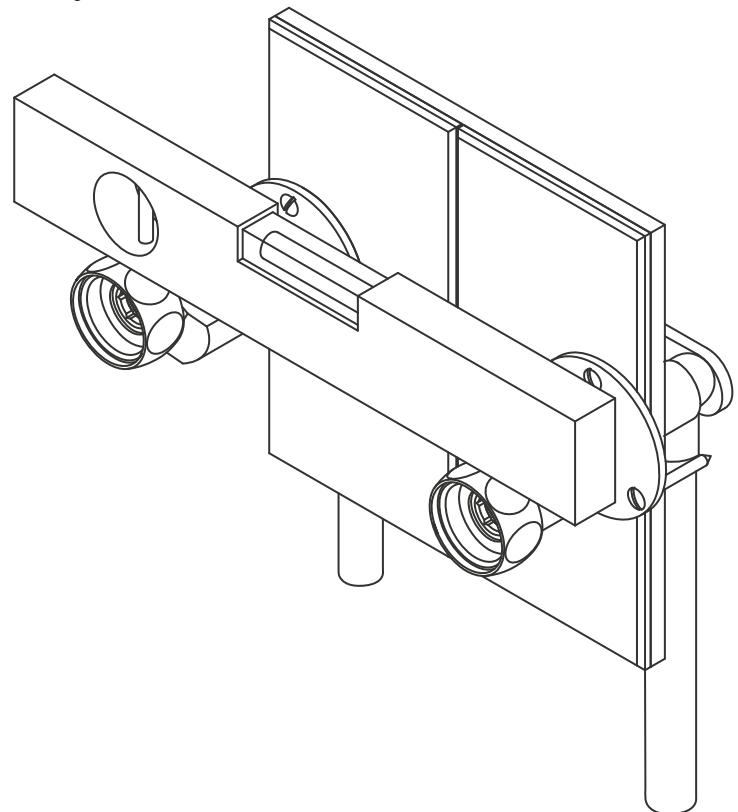
5.



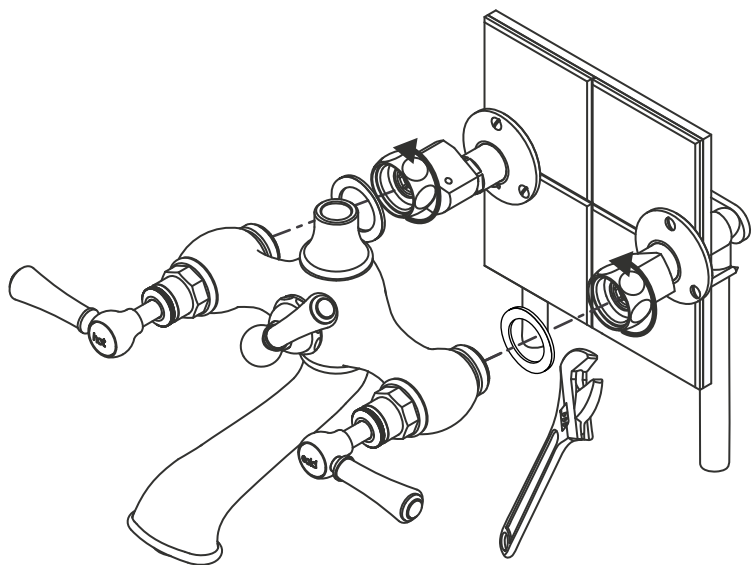
6.



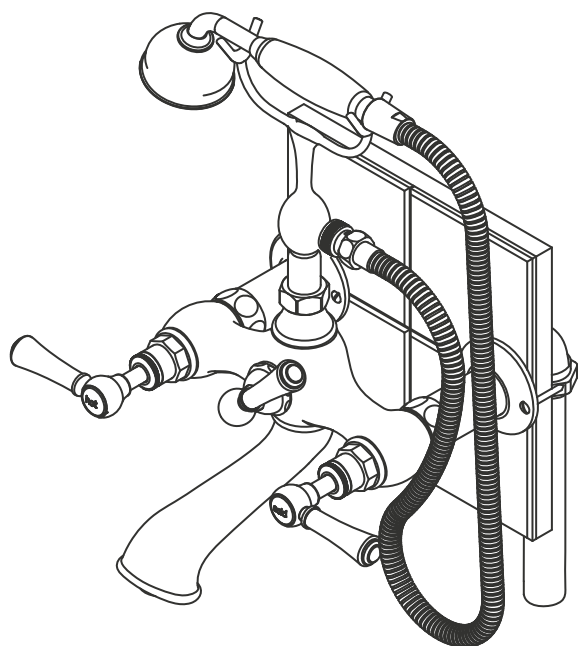
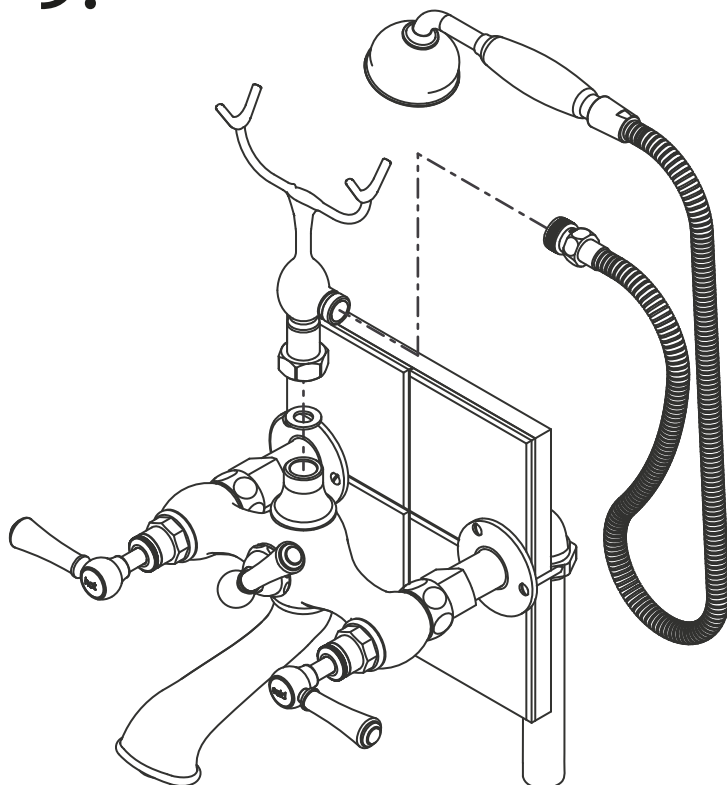
7.



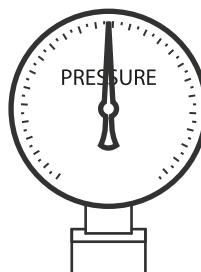
8.



9.



CHECK
COMPROBAR
VERIFER
ÜBERPRÜFEN



UK/EU

0.5 - 5 Bar

Max 50L/min @ 3.0 Bar

- 1. Aerator
- 2. 1/4 Turn Cartridge
- 3. Diverter Valve
- 4. Non Return Valve
- 5. Diverter Cover
- 6. Diverter Shuttle
- 7. Screw
- 8. Cold Handle
- 9. Hot Handle
- 10. Cap

- 11. O ring
- 12. O ring
- 13. Spout Retainer
- 14. O ring
- 15. O ring
- 16. Cap
- 17. Spout
- 18. O ring
- 19. O ring
- 20. O ring

- 21. Diverter Handle
- 22. O ring
- 23. Valve seat
- 24. Wall Unions (x2)
- 25. Non Return Valve
- 26. Cradle
- 27. Handset
- 28. Hose
- 29. Washer

