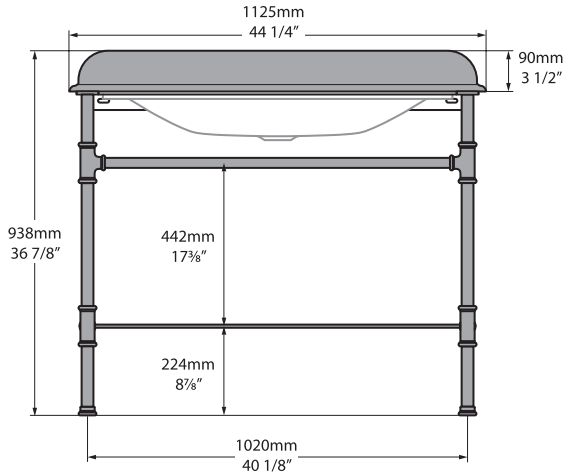


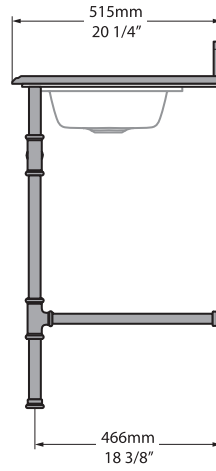
# Metallo 113 Quartz

MET-113-QWH-N-PC / MET-113-QWH-1TH-PC / MET-113-QWH-3TH-PC  
 MET-113-QBK-N-PC / MET-113-QBK-1TH-PC / MET-113-QBK-3TH-PC  
 MET-113-QBT-N-PC / MET-113-QBT-1TH-PC / MET-113-QBT-3TH-PC

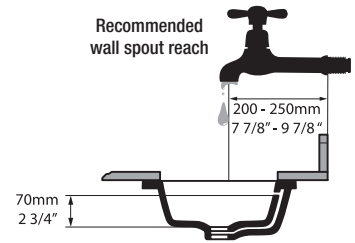
Front view



Side view



Section AA

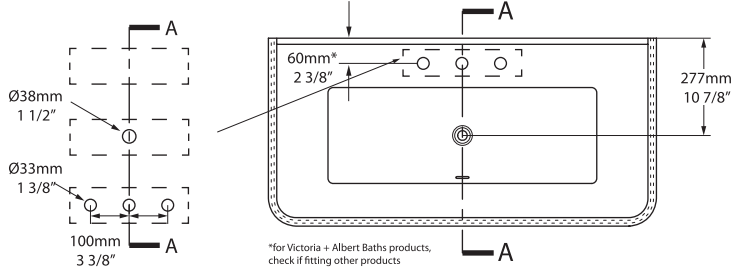


Features an internal overflow  
 Integrierter Überlauf  
 Dispose d'un trop-plein interne  
 Incluye el rebosadero integrado  
 Caratterizzato da un troppopieno interno

**MET-113-Qxx-N-PC**  
**MET-113-Qxx-1TH-PC**  
**MET-113-Qxx-3TH-PC**



Tap holes can be drilled by installer  
 Armaturenlöcher können leicht vom Installateur gebohrt werden  
 Les trous de robinetterie peuvent être percés par l'installateur  
 Pueden ser perforados por el instalador  
 I fori per rubinetti possono essere perforati dall'installatore



\*for Victoria + Albert Baths products, check if fitting other products



**QBK** Polished chrome & Black, Chromé & Noir, Chrom poliert & Schwarz, Cromado pulido & Negro, Cromo lucido & Nero  
**QBT** Polished chrome & Biscuit, Chromé & Biscuit, Chrom poliert & Biskuit, Cromado pulido & Biscuit-beige, Cromo lucido & Biscotto  
**QWT** Polished chrome & White, Chromé & Blanc, Chrom poliert & Weiß, Cromado pulido & Blanco, Cromo lucido & Bianco

Option to order with or without pre-drilled tap holes  
 Mit oder ohne Vorbohrungen für Armaturen erhältlich  
 Option de commande : avec ou sans trou de robinetterie  
 Disponibile con o sin agujeros pretaladrados para grifos  
 Possibilità di ordinare con o senza fori per rubinetti



BV-7.1\_0012

Recommended wastes: K-22-xx / K-24-xx / K-25-xx / K-122-xx

**Qc** rich in Volcanic Limestone™

\*All measurements subject to +/-5% tolerance



Massachusetts Code: Approved  
 cJPC listing by IAPMO: File No. 6970



Guaranteed for residential use for 5 years\*  
 5 Jahre Garantie bei privater Nutzung  
 5 ans de garantie pour un usage domestique  
 Garantía de 5 años para uso domestico  
 La sicurezza garantita per uso residenziale per 5 anni