

SHAPE

- Oval

SIZE

- Length: 492mm, Width: 400mm, Height: 195mm

MATERIAL

- QUARRYCAST™

WEIGHT

- 5.1kg

CAPACITY

- 9.5L

INSTALLATION TYPE

- Undermount

DRAIN

- Includes an Internal Overflow
- Drain kit required, sold separately
- Recommended wastes: K-20, K-28

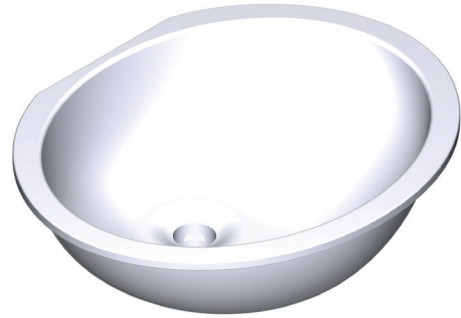
STANDARDS

- IAPMO pending

WARRANTY

- 25 years residential
- 8 years commercial
- Visit www.vandabaths.com for further information

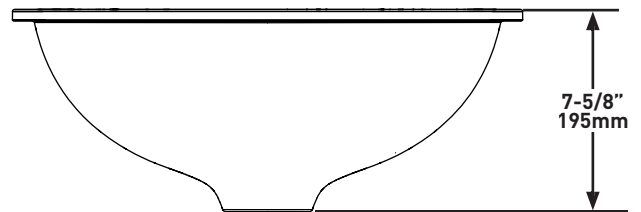
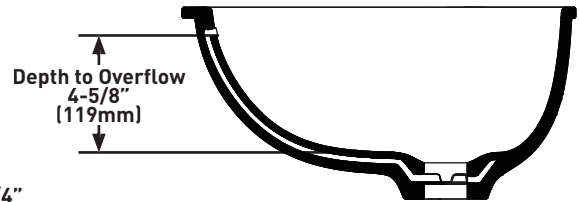
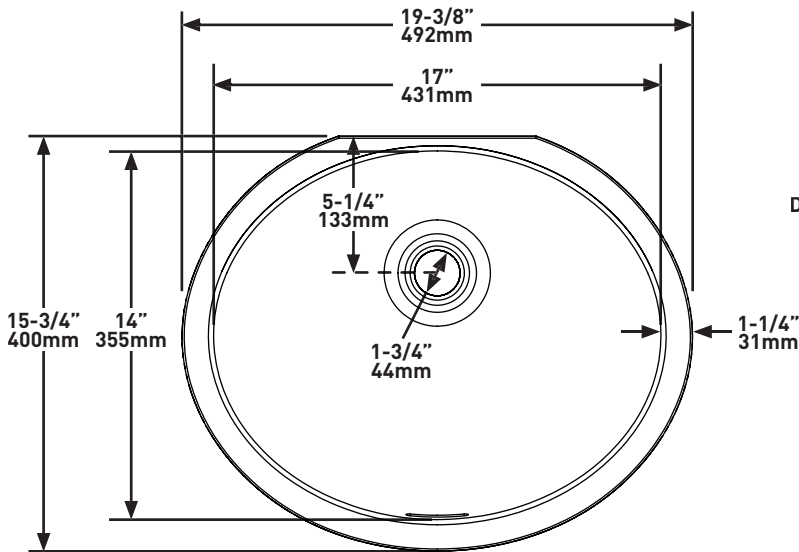
SPECIFICATIONS



LACENO™ 49

Undermount Oval Basin

MODELS: UB-LAC-49-10
UB-LAC49M-SM-10



For care and cleaning, product warranty, and additional information contact:

US Customers

U.S.A.
houseofrohl.com/support
1-800-777-9762

Canadian Customers

QUEBEC / MARITIMES / WESTERN CANADA
QUÉBEC / MARITIMES / OUEST CANADIEN
QUEBEC / MARITIMOS / CANADA OCCIDENTAL
houseofrohl.ca/support
1-866-473-8442

EMEA Customers

vandabaths.com
+44 (0) 1952 221 100