

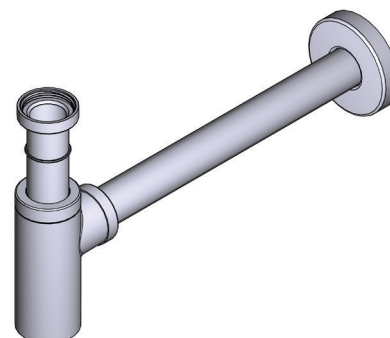
DESCRIPTION

- Basin bottle trap

WARRANTY

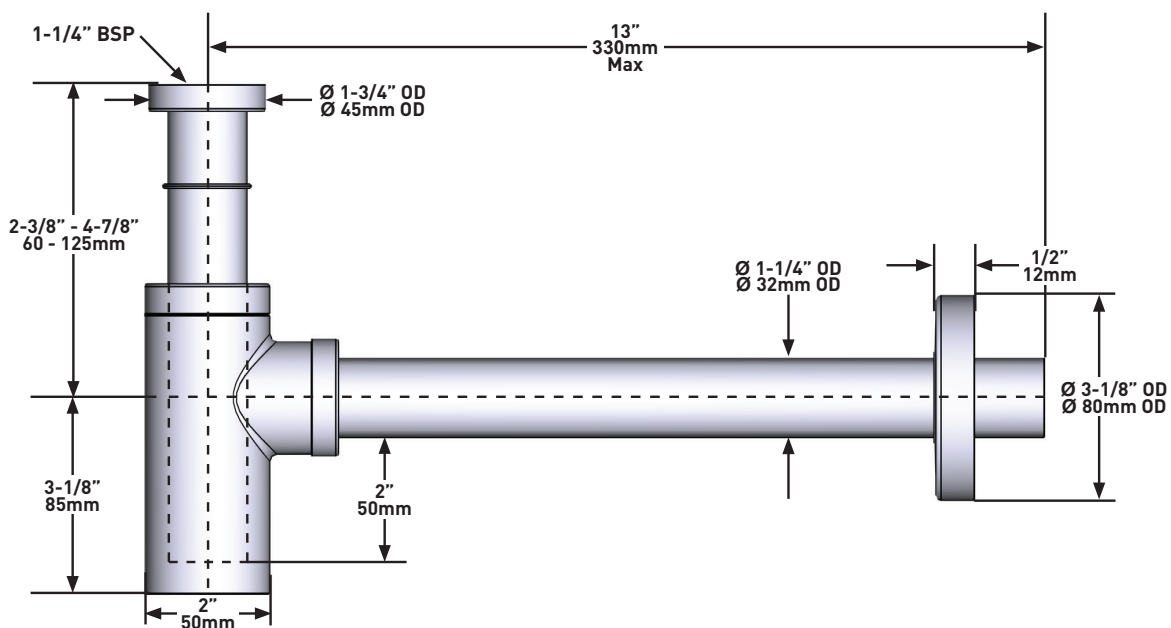
- Visit www.houseofrohl.uk for more information

SPECIFICATIONS



Vessel Sink Bottle Trap

MODELS: K-22 series



For care and cleaning, product warranty, and additional information contact:

US Customers

U.S.A.
houseofrohl.com/support
 1-800-777-9762

Canadian Customers

Quebec / Maritimes / Western Canada
 Québec / Maritimes / Ouest Canadien
 Quebec / Maritimos / Canada Occidental
houseofrohl.ca/support
 1-866-473-8442

EMEA Customers

United Kingdom
www.houseofrohl.uk
 +44 (0) 1952 221 100