

SHAPE

- Rectangular

SIZE

- Length: 399 mm, Width: 596 mm, Height: 130 mm

MATERIAL

- QUARRRYCAST™

WEIGHT

- 8.49 kg

CAPACITY

- 8.77 Litres

INSTALLATION TYPE

- Countertop

FINISH

- Gloss, Matt

DRAIN HOLE

- Off-centre
- Dropped waste outlet with internal overflow
- Drain kit K-28 required and sold separately

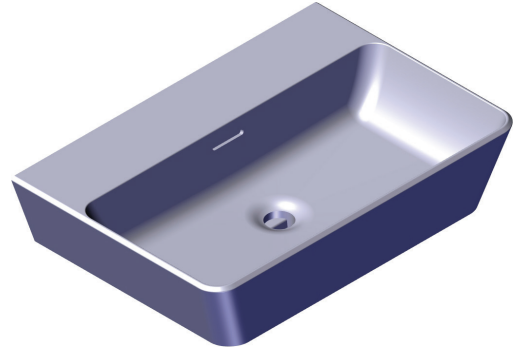
TAP HOLE

- Options available: No tap hole, one tap hole, or three tap holes

WARRANTY

- 25 years residential
- 8 years commercial
- Visit www.vandabaths.com for further information

SPECIFICATIONS



VETRALLA 600

Rectangular Back to Wall Basin

MODELS:

No Tap Hole:

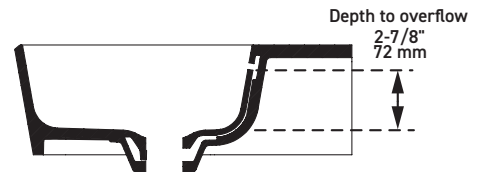
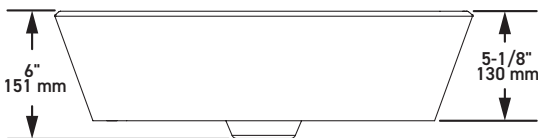
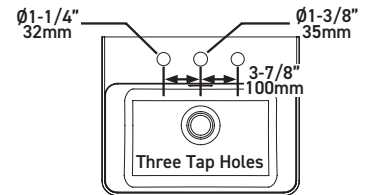
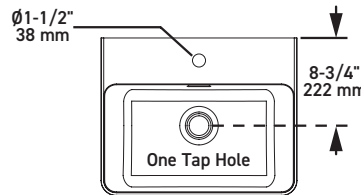
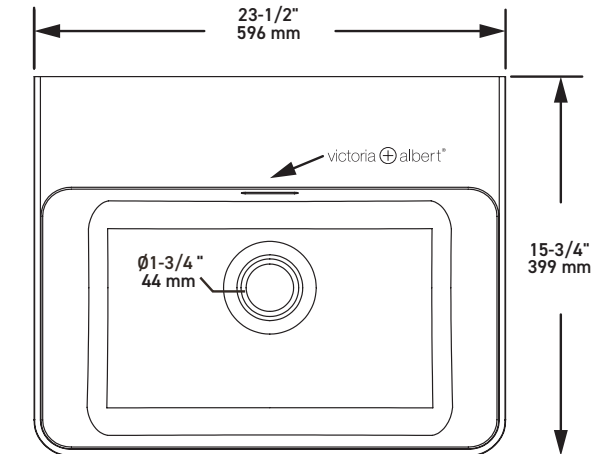
DB-VET-N-SW-600-IO, DB-VET-N-M-600-IO

One Tap Hole:

DB-VET-1TH-SW-600-IO, DB-VET-1TH-M-600-IO

Three Tap Holes:

DB-VET-3TH-SW-600-IO, DB-VET-3TH-M-600-IO



For care and cleaning, product warranty, and additional information contact:

US Customers

U.S.A.
houseofrohl.com/support
 1-800-777-9762

Canadian Customers

Quebec / Maritimes / Western Canada
 Québec / Maritimes / Ouest Canadien
 Quebec / Maritimos / Canada Occidental
houseofrohl.ca/support
 1-866-473-8442

EMEA Customers

www.houseofrohl.design
 +44 (0) 3338 000 011

