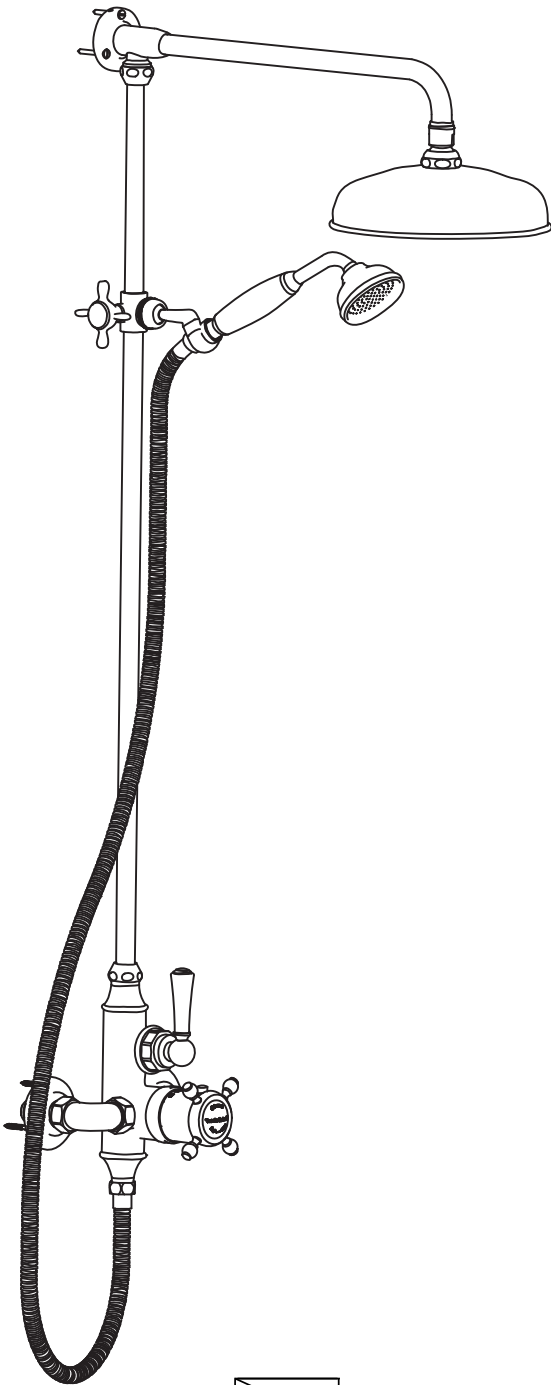
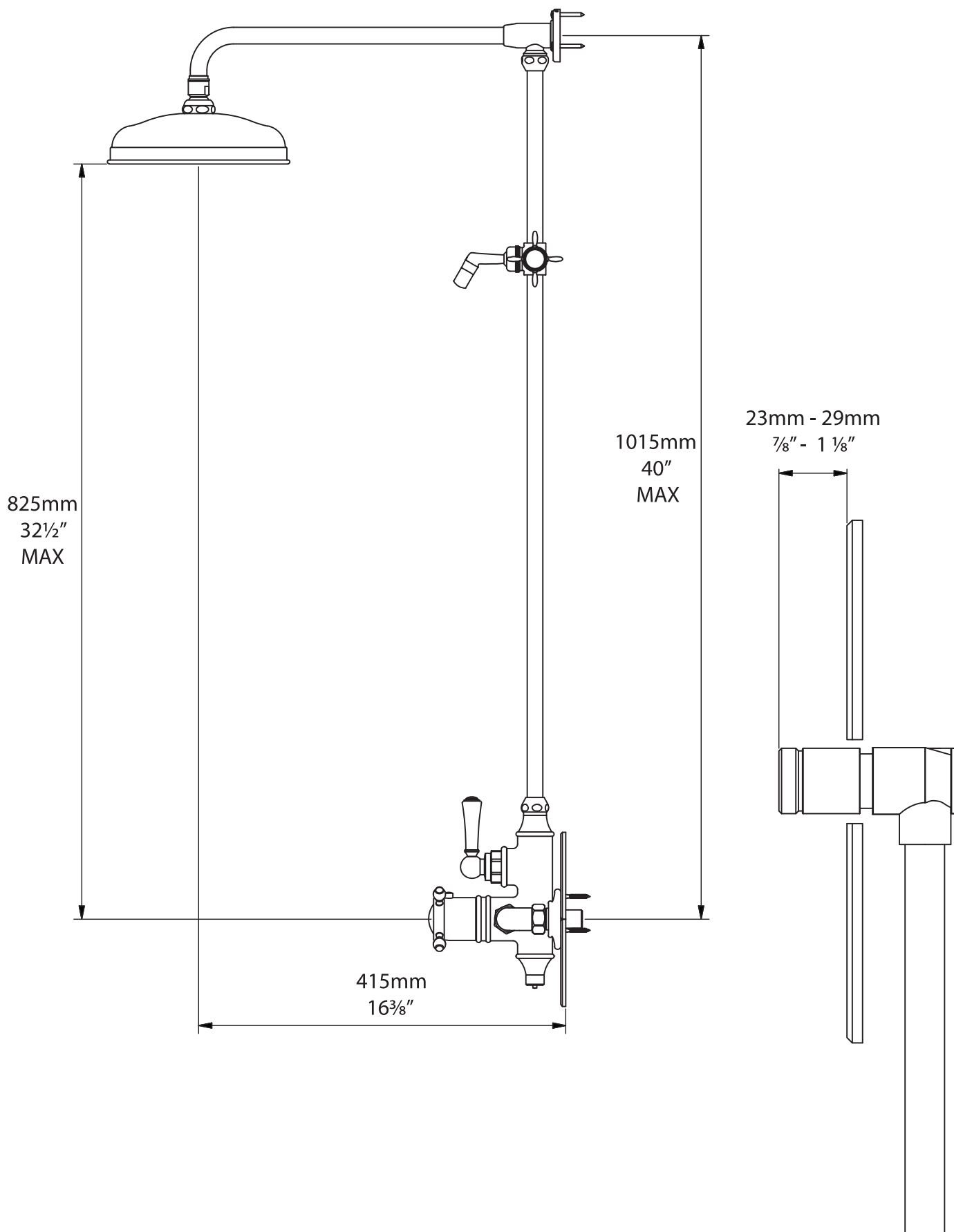


Staffordshire 20

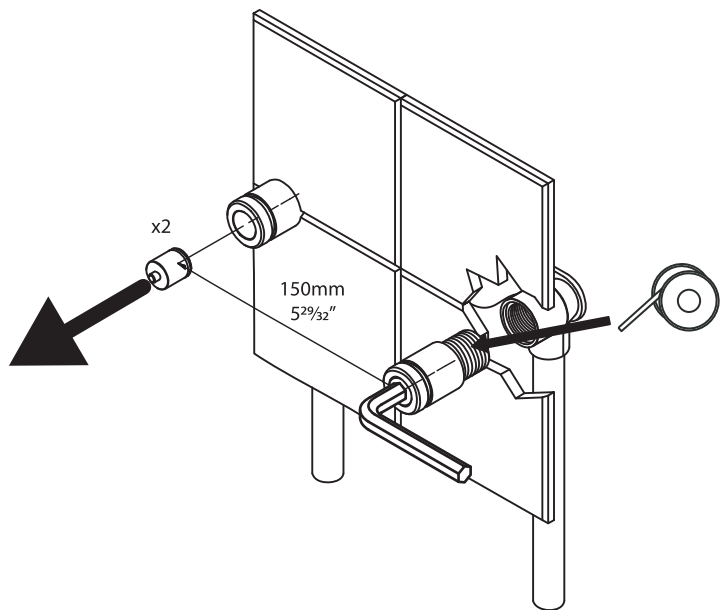


Fitting instructions
Notice d'installation
Instrucciones de montaje
Montageanleitung
Istruzioni di montaggio
Montagehandleiding
Instrukcja montażu
Указания по креплению

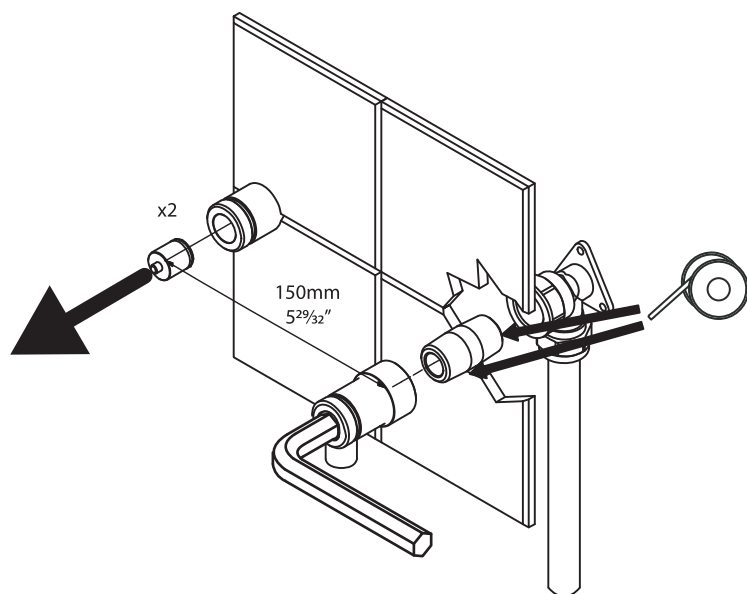




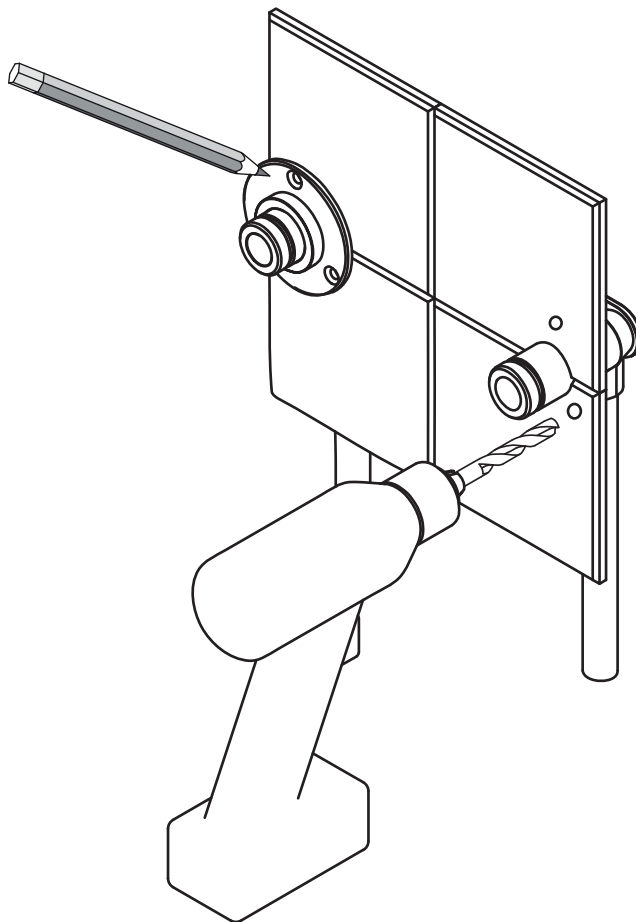
1. UK/EU



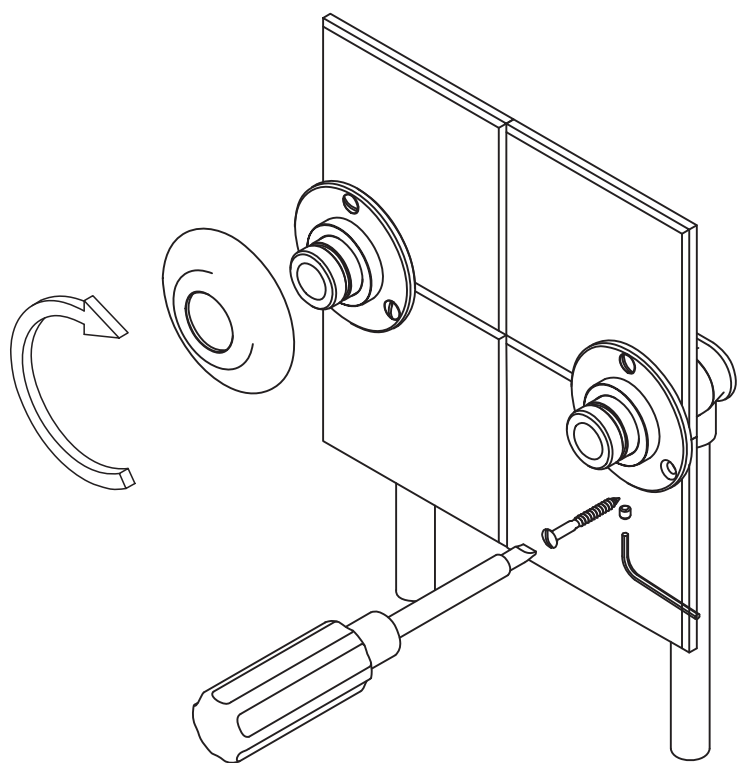
US/CA



2.



3.



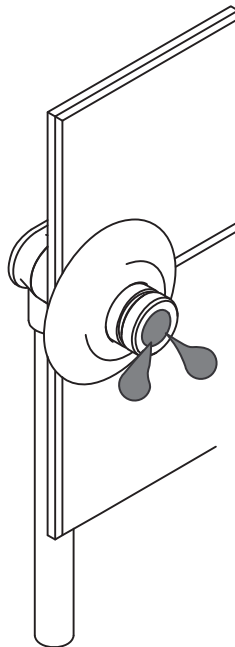
4.



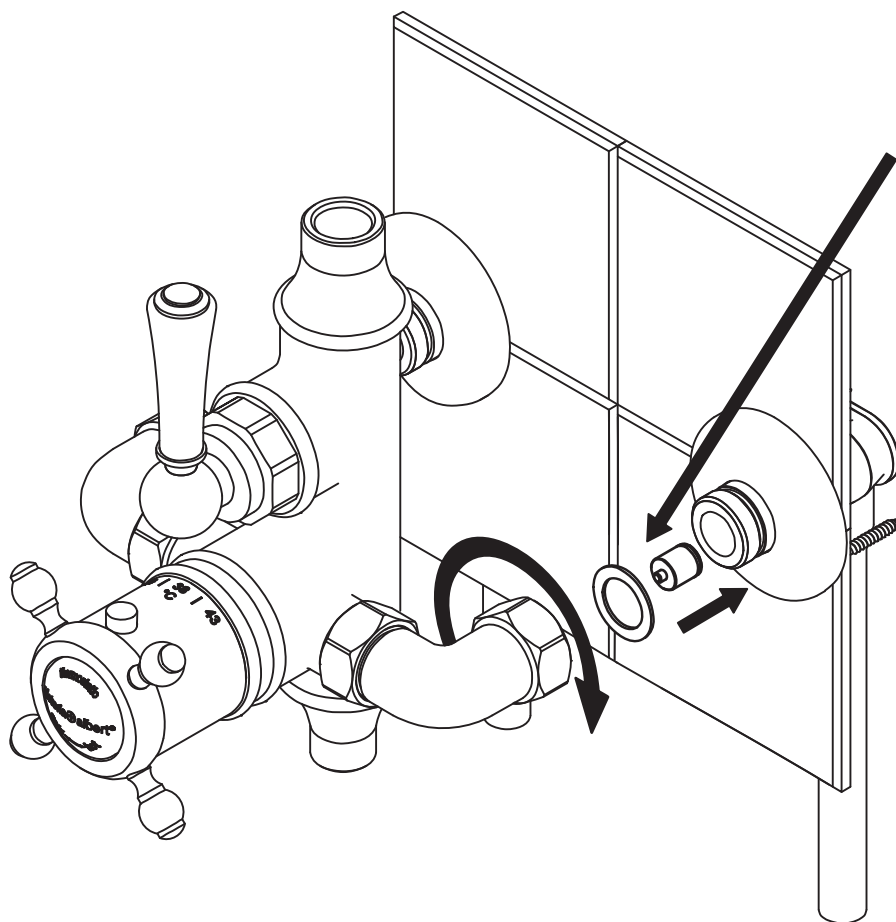
CHECK
COMPROBAR
VERIFER
ÜBERPRÜFEN



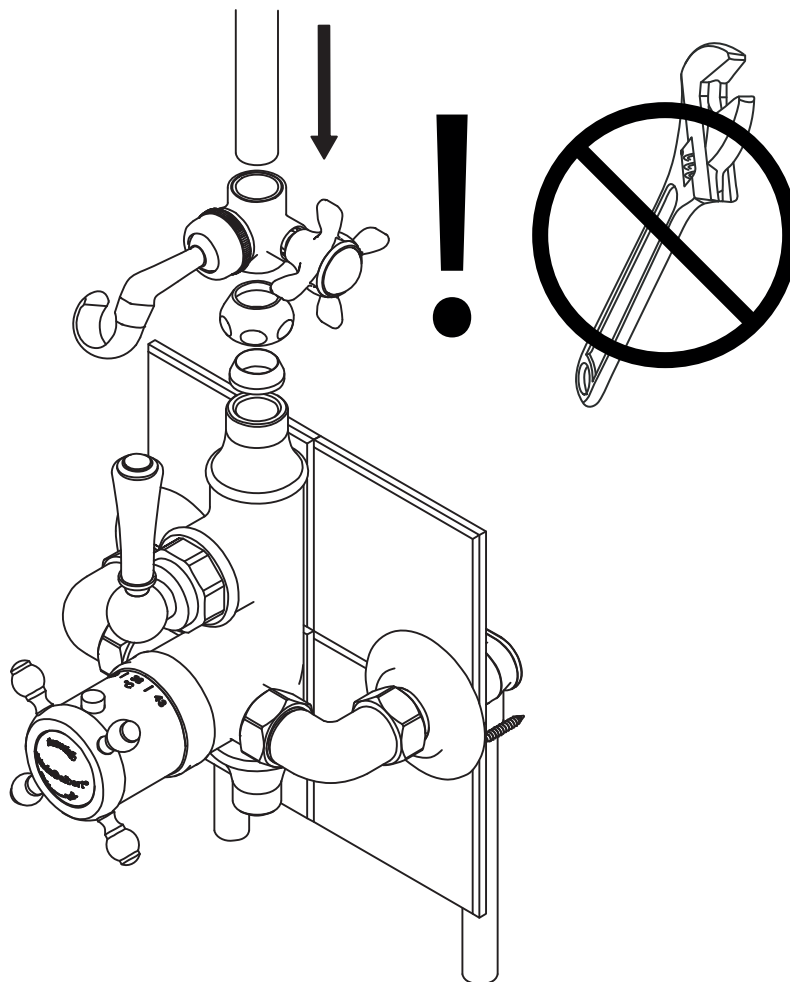
Clean Pipes
Limpia Tuberias
Netoyer La Tuyaterie
Rohre Sauber Machen



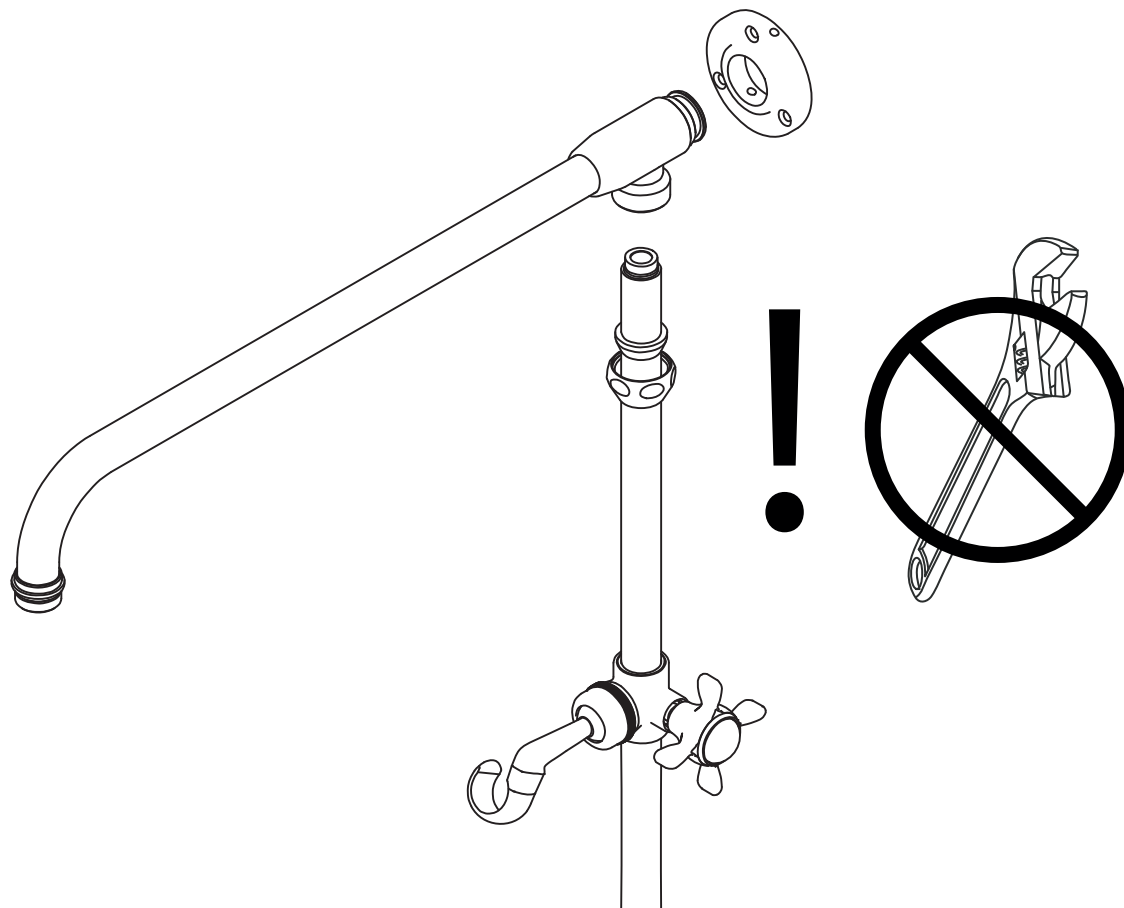
5.



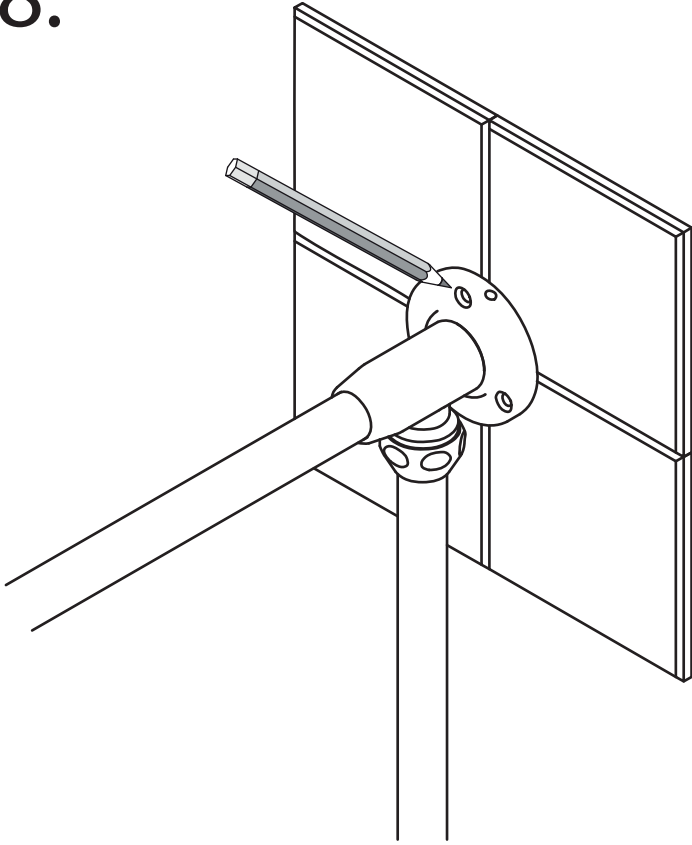
6.



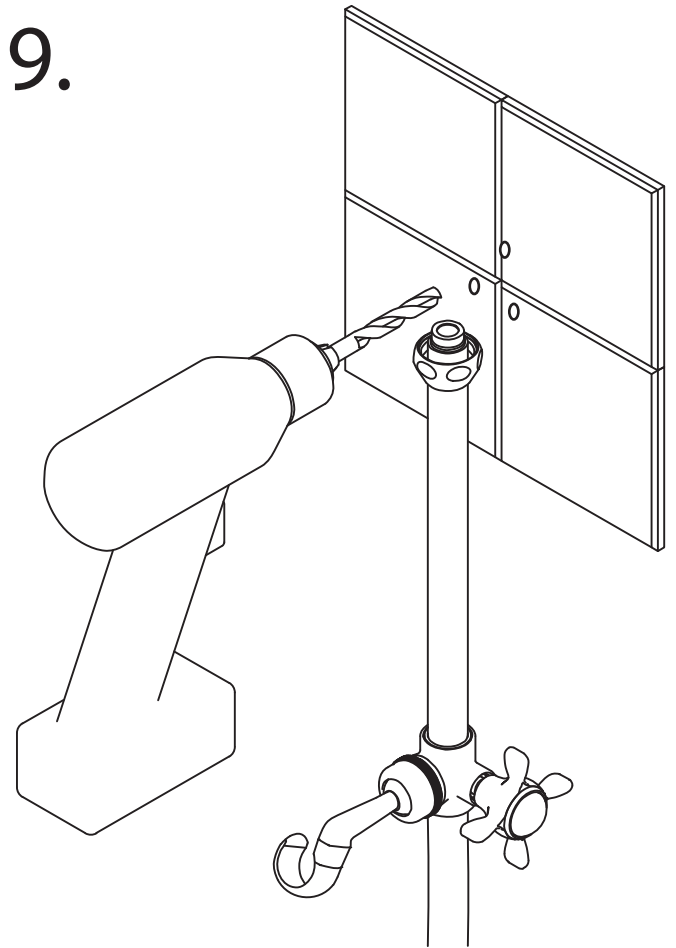
7.



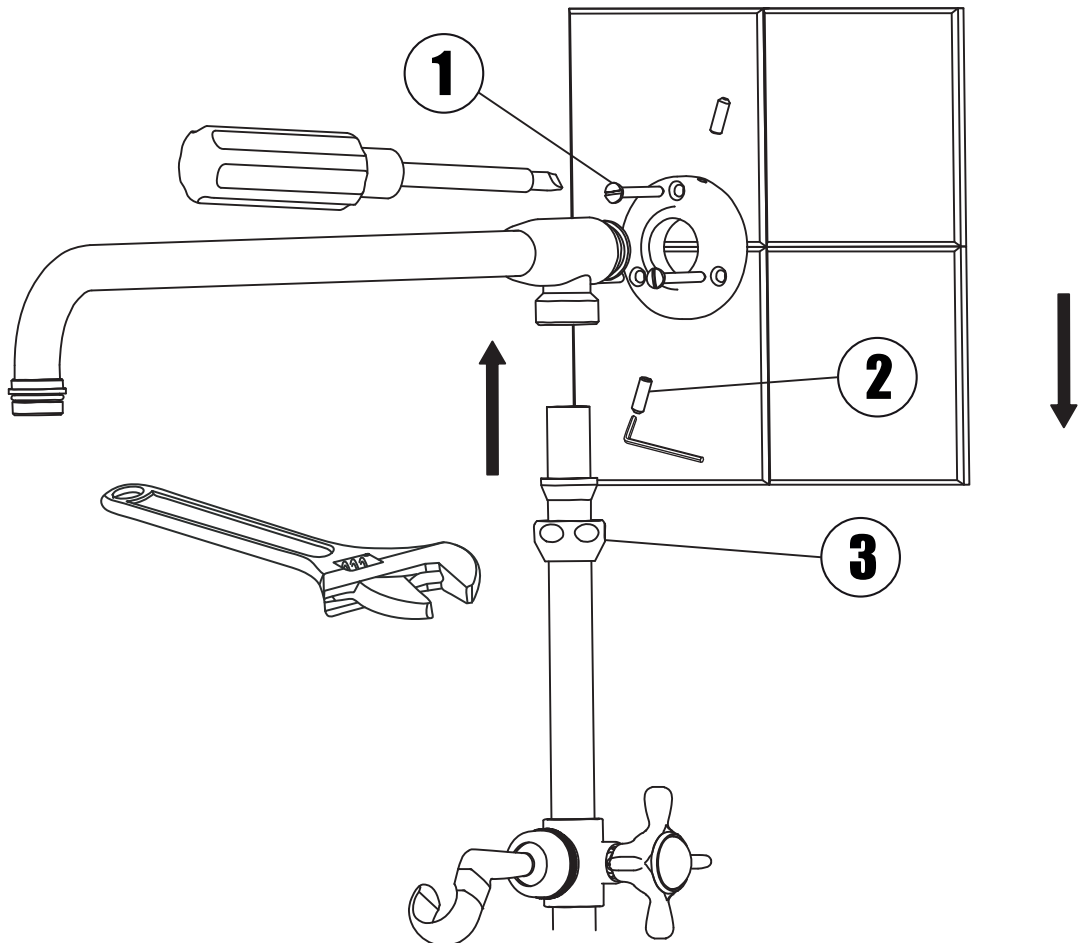
8.



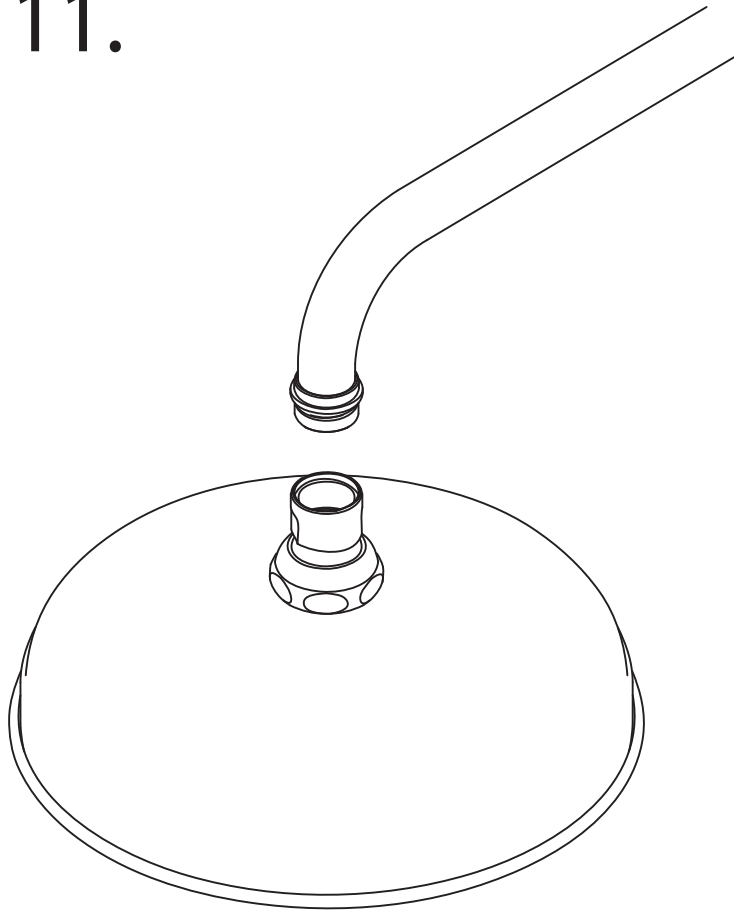
9.



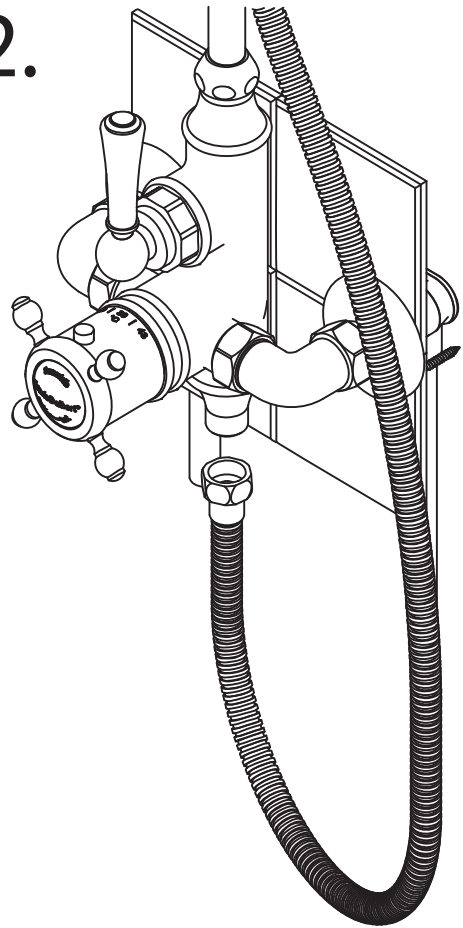
10.



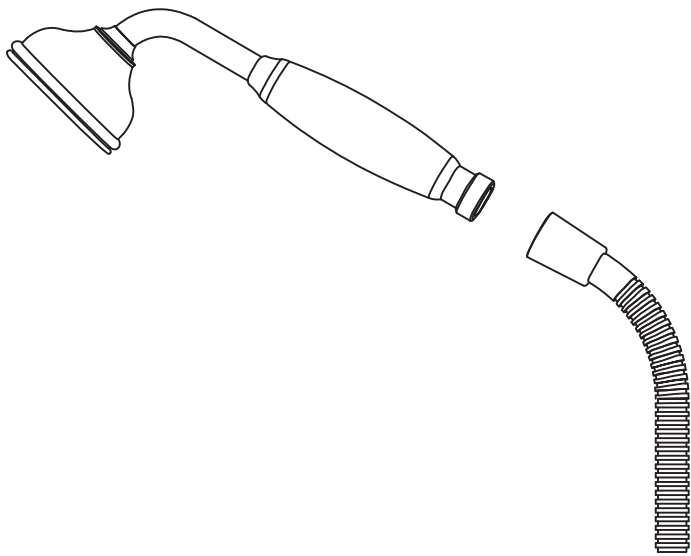
11.



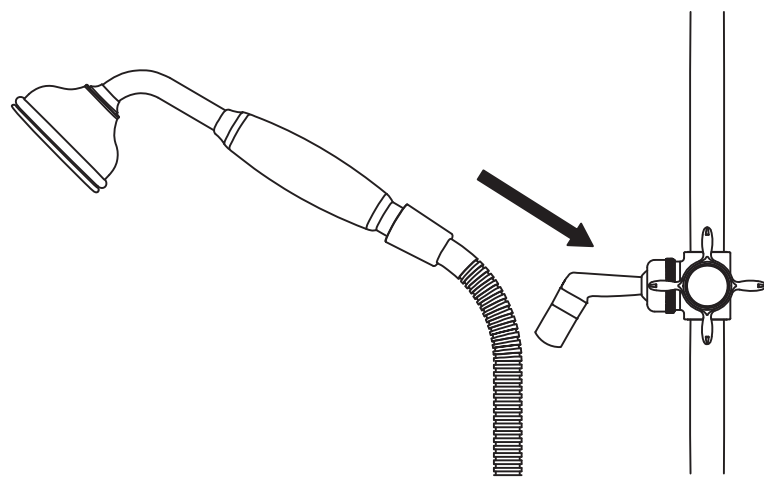
12.

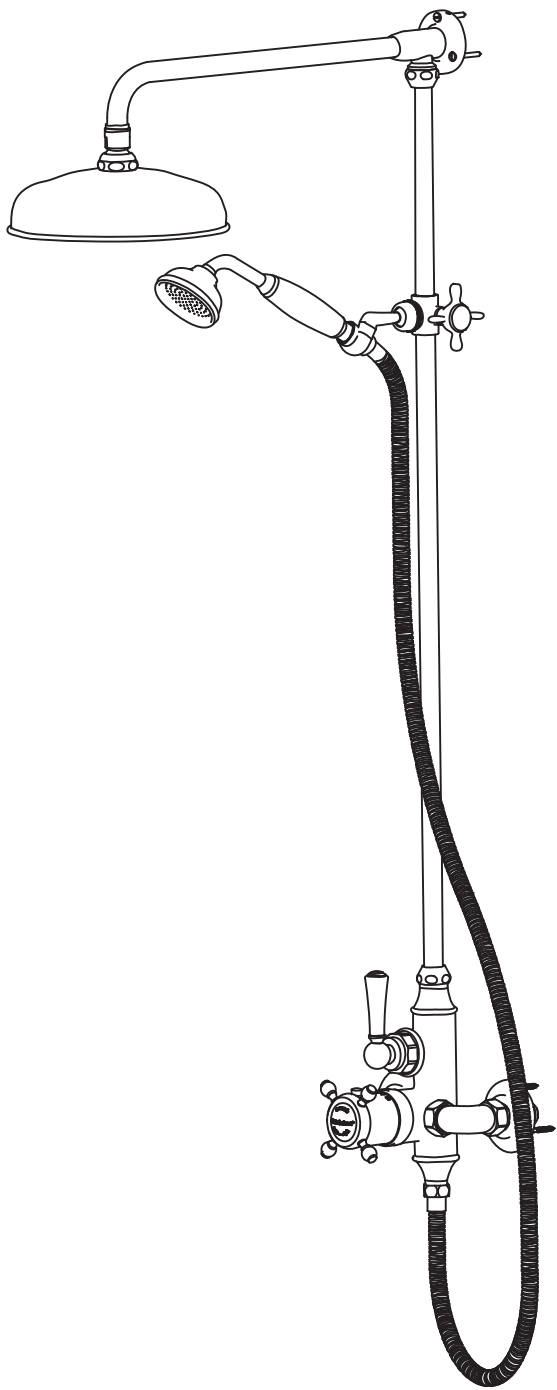


13.



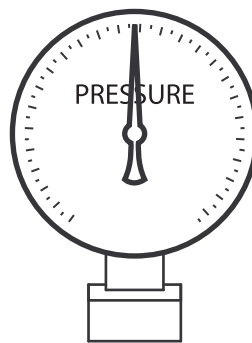
14.





CHECK
COMPROBAR
VERIFER
ÜBERPRÜFEN

UK/EU



0.5 - 5 Bar

Max 30 L/min @ 3.0 Bar

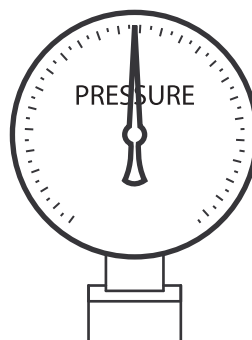


Max 17 L/min @ 3.0 Bar



Max ratio hot to cold = 5:1

US/CA



7.5 - 72.5 psi

Max ratio hot to cold = 5:1

Max 6.8 L/min (1.8 gpm)



Max 6.8 L/min (1.8 gpm)

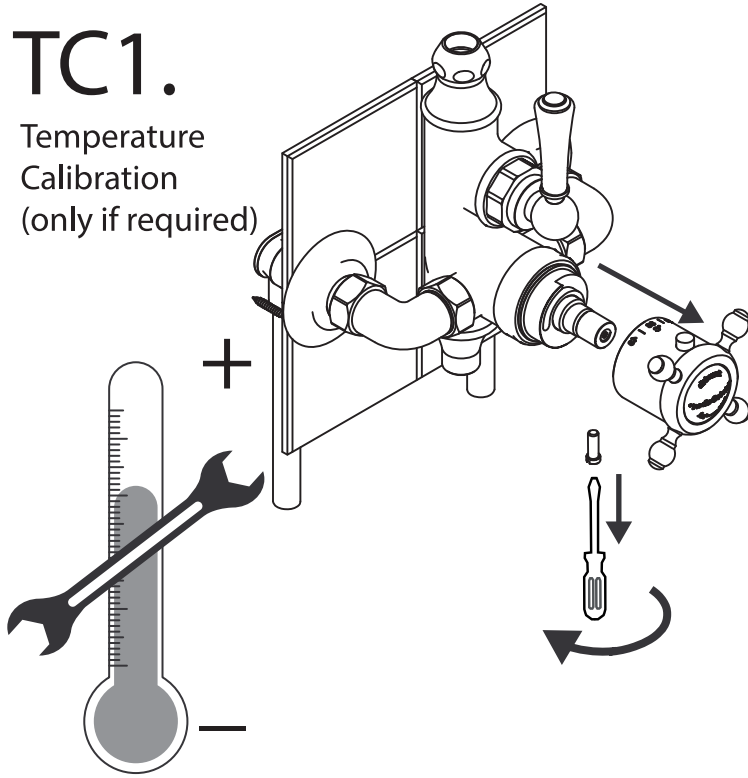


For use with shower heads rated at 6.87 L/min (1.8gpm) or higher

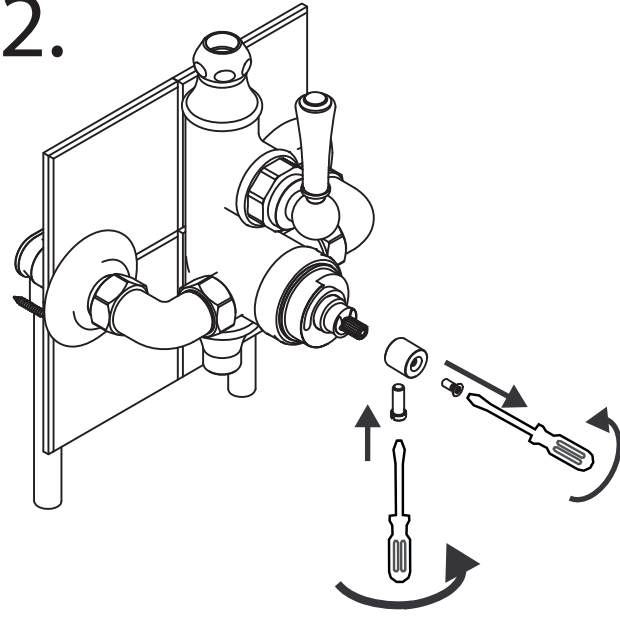
Max temperature outlet 120°F

TC1.

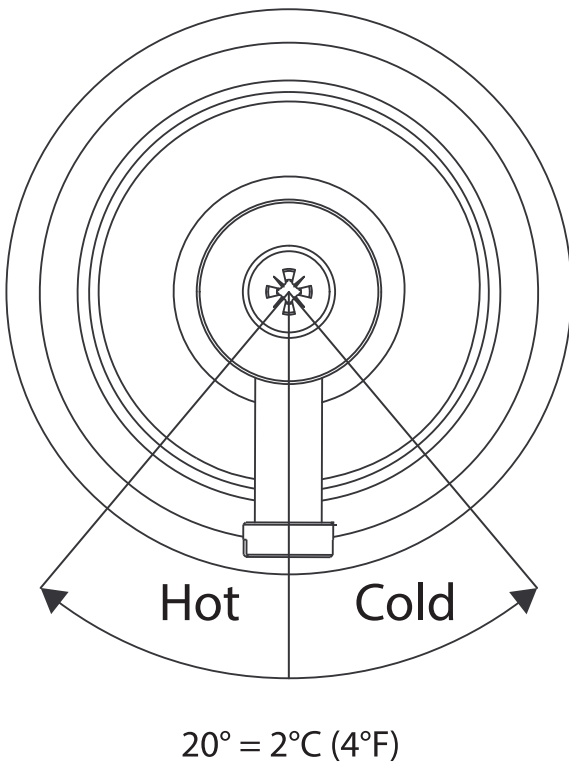
Temperature Calibration
(only if required)



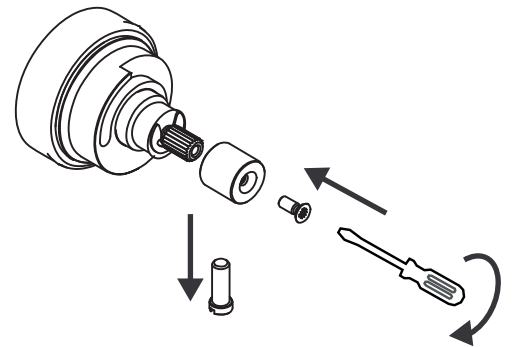
TC2.



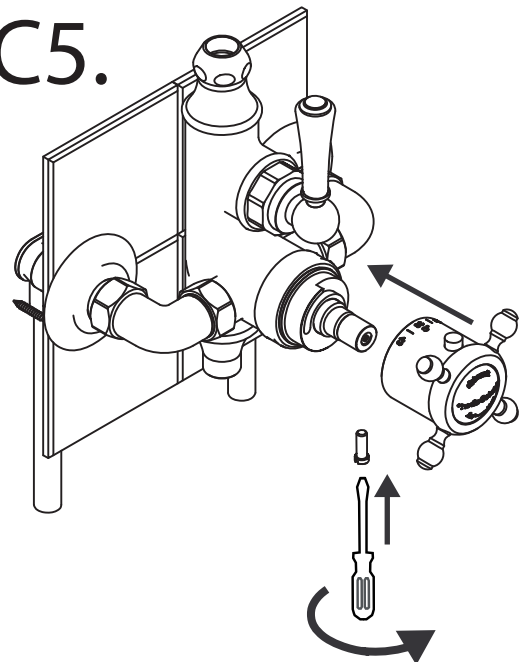
TC3.



TC4.



TC5.



- | | | | |
|-----------------------------|----------------------------|------------------------|---------------------------------|
| 1. Handset | 11. Screw | 21. Cartridge Nut (x2) | 31. Flat Washer (x4) |
| 2. 8" Rose | 12. Spring | 22. Therm Cartridge | 32. Elbow (x2) |
| 3. Hose | 13. Temp Handle | 23. Plastic Spacer | 33. Check Valve (x3) |
| 4. Slider | 14. Temp Button | 24. Trim Ring | 34. Wall Union (x2) |
| 5. Rise Wall Plate Assembly | 15. Stop Pin | 25. Diverter Cartridge | 35. Wall Plate Cover (x2) |
| 6. Horizontal Arm | 16. Screw (x2) | 26. Grub Screw | 36. Wall Plate (x2) |
| 7. O ring | 17. Cartridge Adapter (x2) | 27. Top Cap | 37. Screws (x6) |
| 8. Olive (x2) | 18. Diverter Handle | 28. O ring (x2) | 38. O ring (x2) |
| 9. Nut (x2) | 19. Screw | 29. Valve Body | 39. Grub Screw (x2) |
| 10. Riser | 20. Temp Stop Ring | 30. Bottom Cap | 40. Flow Limiter (x2) (US Only) |

