

**SHAPE**

- Oval

**SIZE**

- Length: 568mm, Width: 431mm, Height: 197mm

**MATERIAL**

- QUARRYCAST™

**WEIGHT**

- 6.9kg

**CAPACITY**

- 11.8L

**INSTALLATION TYPE**

- Undermount

**DRAIN**

- Includes an Internal Overflow
- Drain kit required, sold separately
- Recommended wastes: K-25, K-28

**STANDARDS**

- IAPMO pending

**WARRANTY**

- 25 years residential
- 8 years commercial
- Visit [www.vandabaths.com](http://www.vandabaths.com) for further information

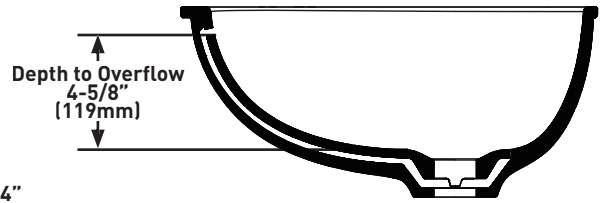
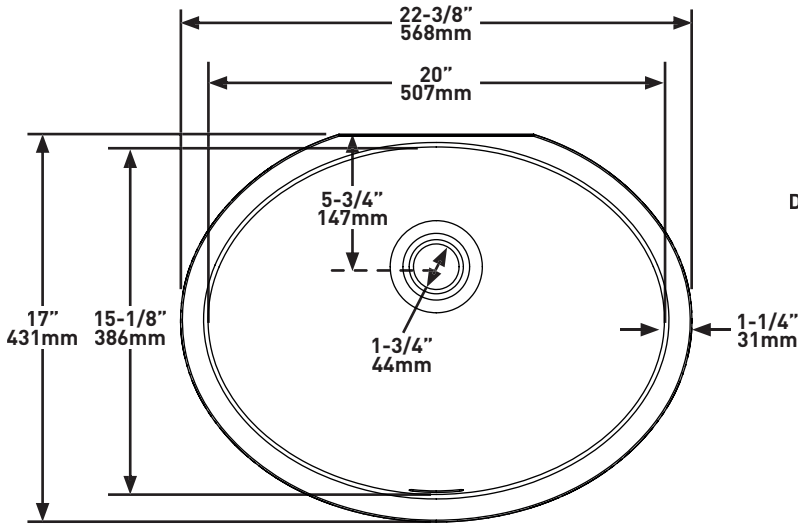
# SPECIFICATIONS



## LACENO™ 56

Undermount Oval Basin

**MODELS:** UB-LAC-56-IO  
UB-LAC56M-SM-IO



**For care and cleaning, product warranty, and additional information contact:**

**US Customers**

U.S.A.  
[houseofrohl.com/support](http://houseofrohl.com/support)  
1-800-777-9762

**Canadian Customers**

QUEBEC / MARITIMES / WESTERN CANADA  
QUÉBEC / MARITIMES / OUEST CANADIEN  
QUEBEC / MARITIMOS / CANADA OCCIDENTAL  
[houseofrohl.ca/support](http://houseofrohl.ca/support)  
1-866-473-8442

**EMEA Customers**

[vandabaths.com](http://vandabaths.com)  
+44 (0) 1952 221 100

**FORME**

- Ovale

**DIMENSIONS**

- Longueur: 568mm, Largeur: 431mm, Hauteur: 197mm

**MATÉRIAU**

- QUARRYCAST™

**POIDS**

- 6.9kg

**CAPACITÉ**

- 11.8L

**TYPE D'INSTALLATION**

- Sous-plan

**ÉVACUATION**

- Trop-plein interne inclus
- Kit d'évacuation requis, vendu séparément
- Vidages recommandés: K-25, K-28

**CERTIFICATIONS**

- Certification IAPMO en cours

**GARANTIE**

- 25 années en utilisation domestique
- 8 années en utilisation professionnelle
- Pour davantage d'informations, rendez-vous sur vandabaths.com

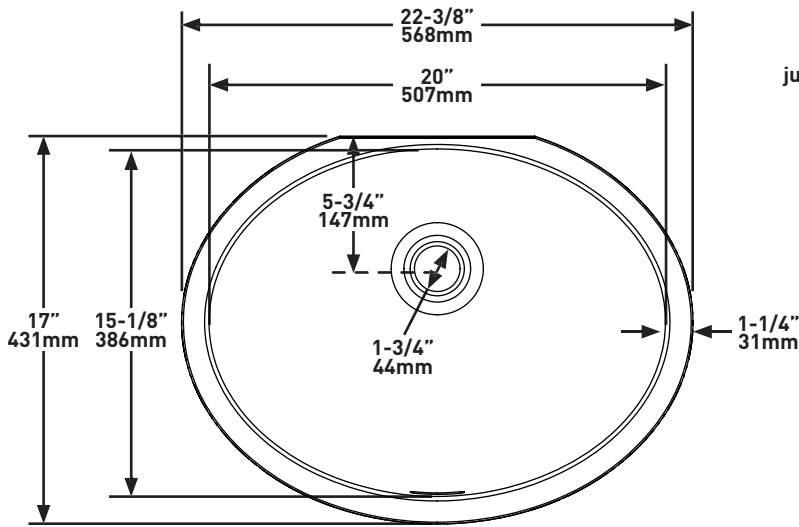
# SPÉCIFICATIONS



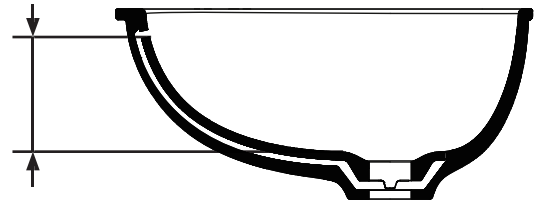
## LACENO™ 56

Lavabo ovale sous-plan

**MODÈLES :** UB-LAC-56-10  
UB-LAC56M-SM-10



Profondeur de l'eau jusqu'au trop-plein 4-5/8\" (119mm)



**For care and cleaning, product warranty, and additional information contact:**

**US Customers**

U.S.A.  
houseofrohl.com/support  
1-800-777-9762

**Canadian Customers**

QUEBEC / MARITIMES / WESTERN CANADA  
QUÉBEC / MARITIMES / OUEST CANADIEN  
QUEBEC / MARITIMOS / CANADA OCCIDENTAL  
houseofrohl.ca/support  
1-866-473-8442

**EMEA Customers**

vandabaths.com  
+44 (0) 1952 221 100

# TECHNISCHES DATENBLATT

**FORM**

- Oval

**GRÖSSE**

- Länge: 568mm, Breite: 431mm, Höhe: 197mm

**MATERIAL**

- QUARRYCAST™

**GEWICHT**

- 6.9kg

**KAPAZITÄT**

- 11.8L

**INSTALLATIONSART**

- Unterbau

**ABFLUSS**

- Mit internem Überlauf
- Abflussgarnitur erforderlich, separat erhältlich
- Empfohlene Ablaufventile: K-25, K-28

**ZERTIFIZIERUNGEN**

- IAPMO ausstehend

**GARANTIE**

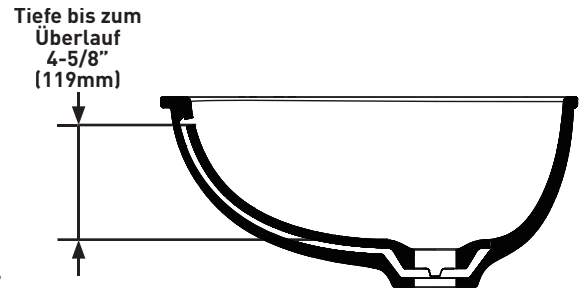
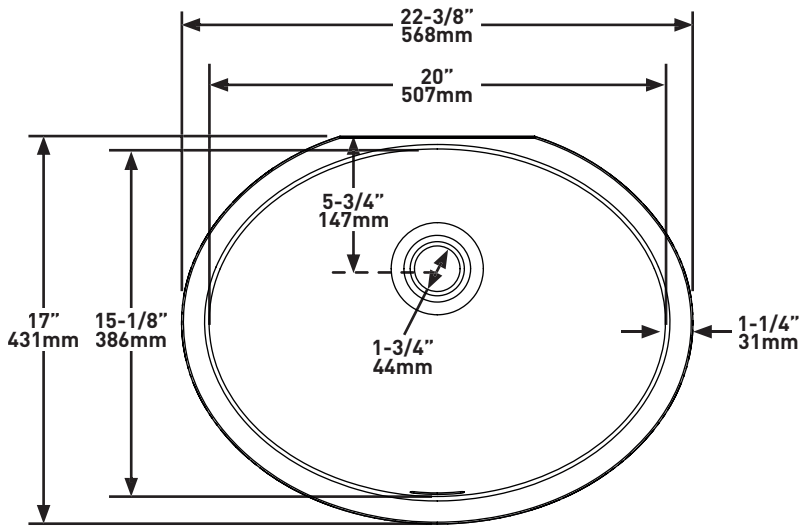
- 25 Jahre private Nutzung
- 8 Jahre gewerbliche Nutzung
- Weitere Informationen unter vandabaths.com



**LACENO™ 56**

Ovales Unterbaubecken

**MODELLE:** UB-LAC-56-IO  
UB-LAC56M-SM-IO



For care and cleaning, product warranty, and additional information contact:

**US Customers**

U.S.A.  
houseofrohl.com/support  
1-800-777-9762

QUEBEC / MARITIMES / WESTERN CANADA  
 QUÉBEC / MARITIMES / OUEST CANADIEN  
 QUEBEC / MARITIMOS / CANADA OCCIDENTAL  
 houseofrohl.ca/support

**Canadian Customers**

ONTARIO  
houseofrohl.ca/support  
1-800-287-5354

**EMEA Customers**

vandabaths.com  
+44 (0) 1952 221 100



# SPECIFICHE TECNICHE

**FORMA**

- Ovale

**DIMENSIONI**

- Lunghezza: 568mm, Larghezza: 431mm, Altezza: 197mm

**MATERIALE**

- QUARRYCAST™

**PESO**

- 6.9kg

**CAPACITÀ**

- 11.8L

**TIPO DI INSTALLAZIONE**

- Sottopiano

**SCARICO**

- Comprende un troppopieno interno
- Kit per scarico necessario, venduto separatamente
- Scarichi raccomandati: K-25, K-28

**STANDARD**

- IAPMO - in attesa

**GARANZIA**

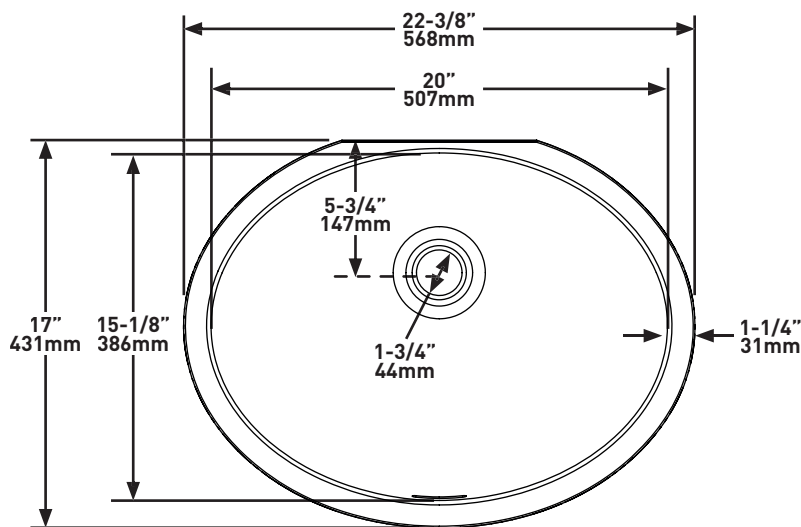
- 25 anni residenziale
- 8 anni commerciale
- Per maggiori informazioni visita vandabaths.com



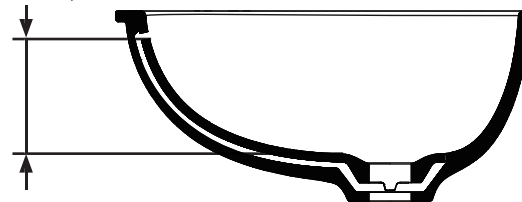
**LACENO™ 56**

Lavabo ovale sottopiano

**MODELLI:** UB-LAC-56-IO  
UB-LAC56M-SM-IO



Profondità per troppopieno  
4-5/8\"  
(119mm)



For care and cleaning, product warranty, and additional information contact:

**US Customers**

U.S.A.  
houseofrohl.com/support  
1-800-777-9762

QUEBEC / MARITIMES / WESTERN CANADA  
QUÉBEC / MARITIMES / OUEST CANADIEN  
QUEBEC / MARITIMOS / CANADA OCCIDENTAL  
houseofrohl.ca/support

**Canadian Customers**

ONTARIO  
houseofrohl.ca/support  
1-800-287-5354

**EMEA Customers**

vandabaths.com  
+44 (0) 1952 221 100

# ESPECIFICACIONES

**FORMA**

- Oval

**TAMAÑO**

- Longitud: 568mm, Anchura: 431mm, Alto: 197mm

**MATERIAL**

- QUARRYCAST™

**PESO**

- 6.9kg

**CAPACIDAD**

- 11.8L

**TIPO DE INSTALACIÓN**

- Bajo encimera

**DESAGÜE**

- Incluye rebosadero interno
- Requiere kit de desagüe que se vende por separado
- Desagües recomendados: K-25, K-28

**ESTÁNDARES**

- Pendiente de IAPMO

**GARANTÍA**

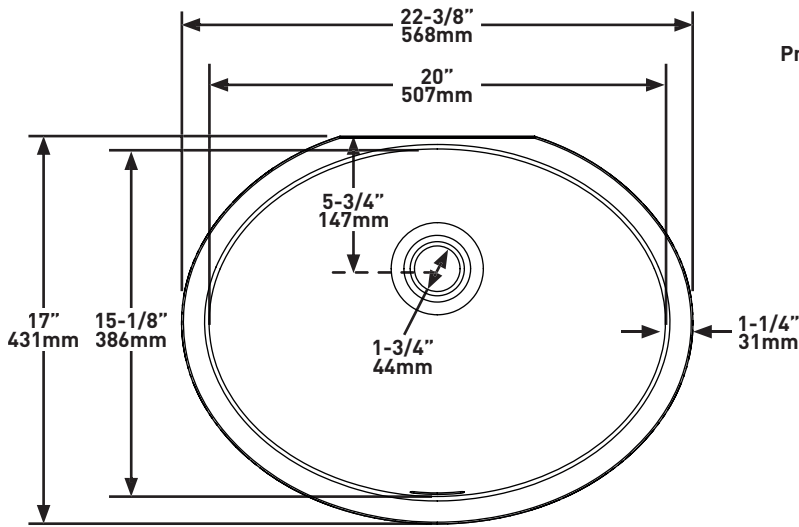
- 25 años para un uso residencial
- 8 años para un uso comercial
- Para más información, visite vandabaths.com



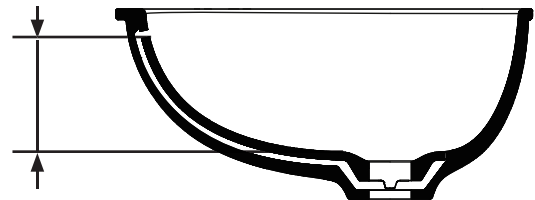
**LACENO™ 56**

Lavabo oval bajo encimera

**MODELOS:** UB-LAC-56-IO  
UB-LAC56M-SM-IO



Profundidad hasta el rebosadero  
4-5/8\"  
(119mm)



For care and cleaning, product warranty, and additional information contact:

**US Customers**

U.S.A.  
houseofrohl.com/support  
1-800-777-9762

QUEBEC / MARITIMES / WESTERN CANADA  
QUÉBEC / MARITIMES / OUEST CANADIEN  
QUEBEC / MARITIMOS / CANADA OCCIDENTAL  
houseofrohl.ca/support

**Canadian Customers**

ONTARIO  
houseofrohl.ca/support  
1-800-287-5354

**EMEA Customers**

vandabaths.com  
+44 (0) 1952 221 100



**VORM**

- Ovaal

**FORMAAT**

- Lengte: 568mm, Breedte: 431mm, Hoogte: 197mm

**MATERIAAL**

- QUARRYCAST™

**GEWICHT**

- 6.9kg

**CAPACITEIT**

- 11.8L

**SOORT INSTALLATIE**

- Onderbouw

**AFVOER**

- Inclusief een interne overloop
- Afvoerset vereist, apart verkrijgbaar
- Aanbevolen afvoer: K-25, K-28

**CERTIFICERING**

- In afwachting van IAPMO

**GARANTIE**

- 25 jaar residentieel
- 8 jaar commercieel
- Voor meer informatie, bezoek [vandabaths.com](http://vandabaths.com)

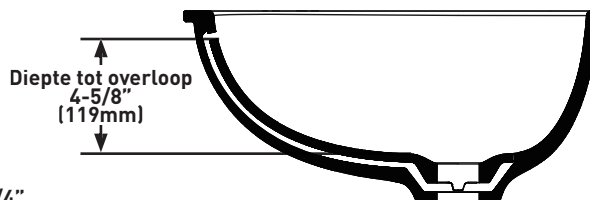
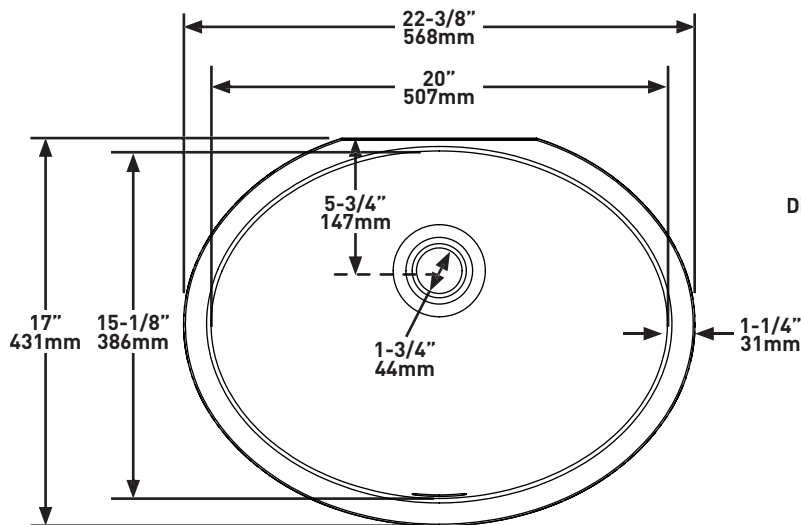
# SPECIFICATIES



## LACENO™ 56

Ovale onderbouw wastafel

**MODELLEN:** UB-LAC-56-10  
UB-LAC56M-SM-10



For care and cleaning, product warranty, and additional information contact:

**US Customers**

U.S.A.  
[houseofrohl.com/support](http://houseofrohl.com/support)  
1-800-777-9762

QUEBEC / MARITIMES / WESTERN CANADA  
QUÉBEC / MARITIMES / OUEST CANADIEN  
QUEBEC / MARITIMOS / CANADA OCCIDENTAL  
[houseofrohl.ca/support](http://houseofrohl.ca/support)

**Canadian Customers**

ONTARIO  
[houseofrohl.ca/support](http://houseofrohl.ca/support)  
1-800-287-5354

**EMEA Customers**

[vandabaths.com](http://vandabaths.com)  
+44 (0) 1952 221 100