

# Florin FLO-09

Fitting instructions

Notice d'installation

Instrucciones de montaje

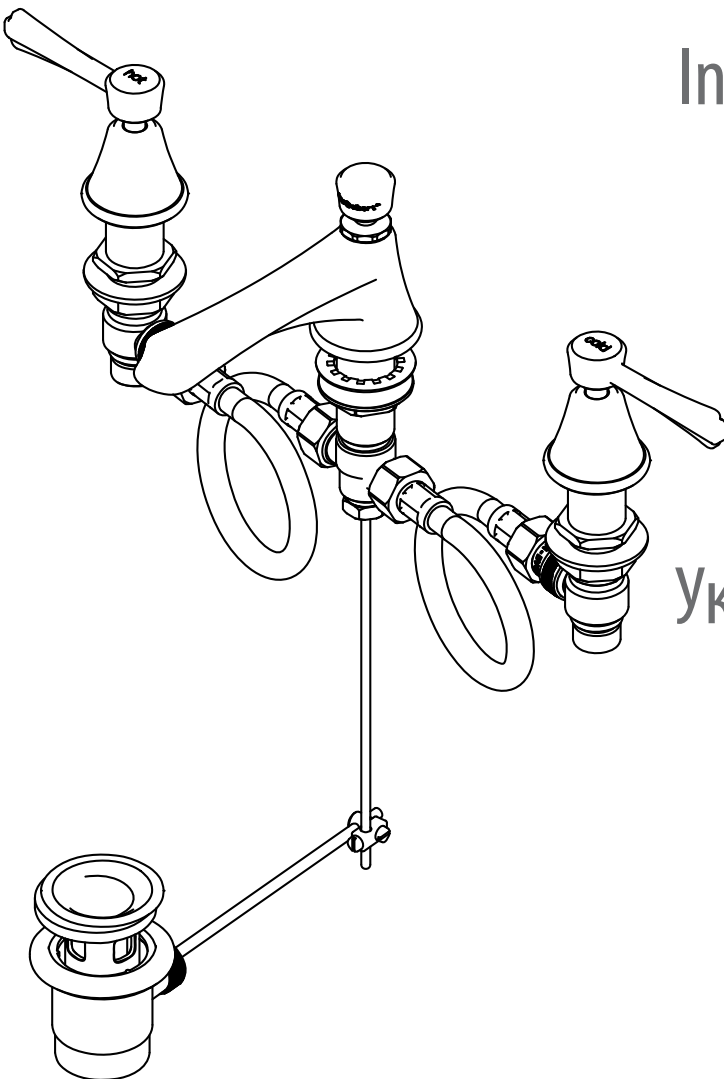
Montageanleitung

Istruzioni di montaggio

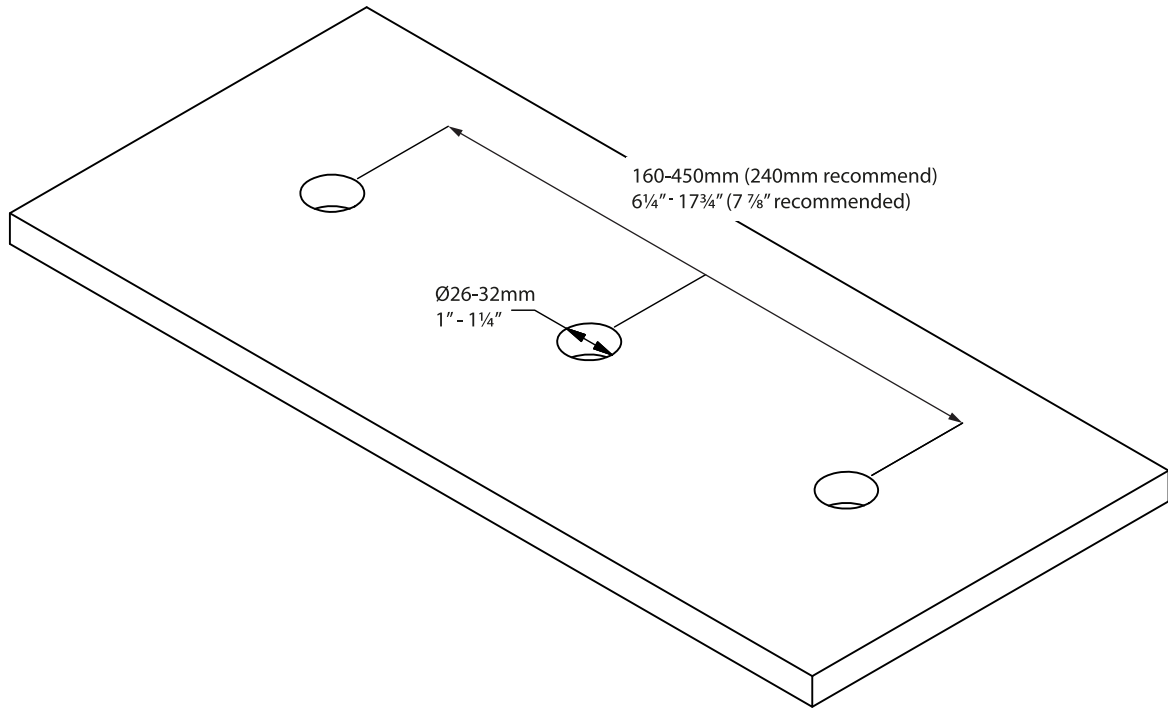
Montagehandleiding

Instrukcja montażu

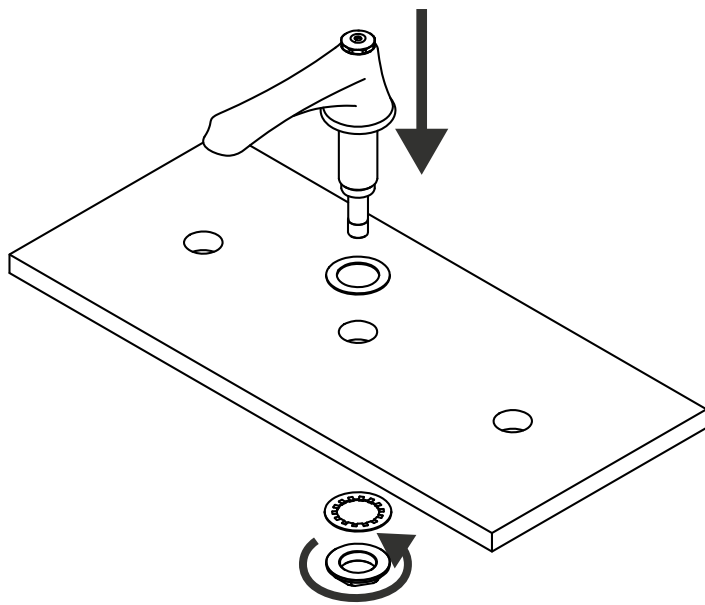
Указания по креплению



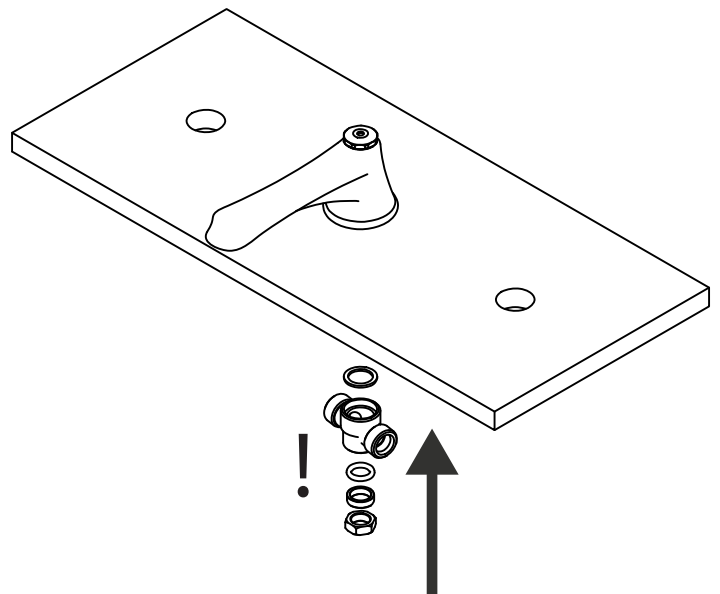
1.



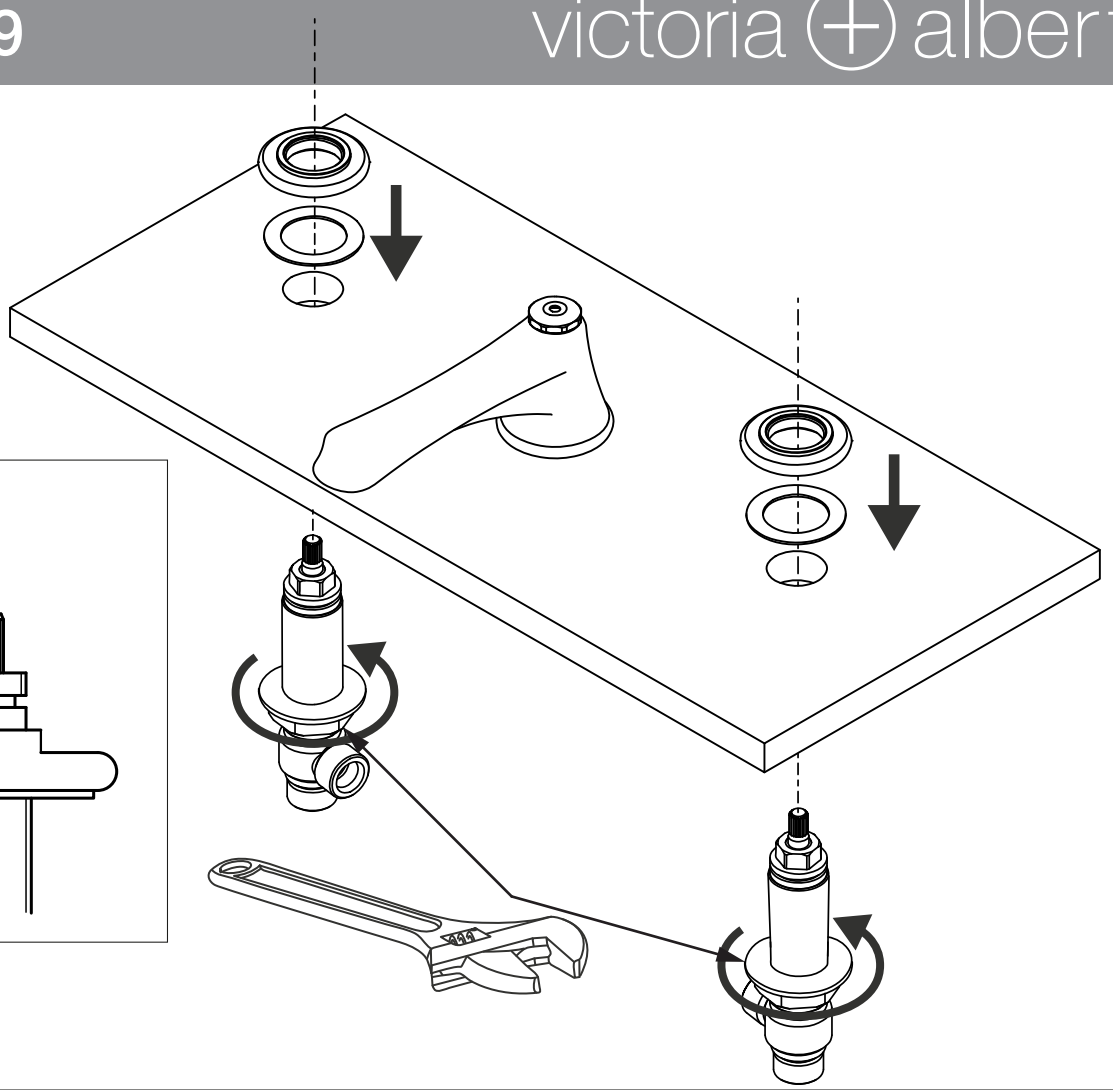
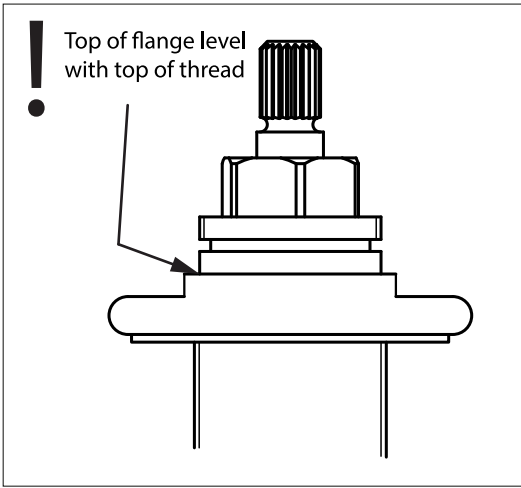
2.



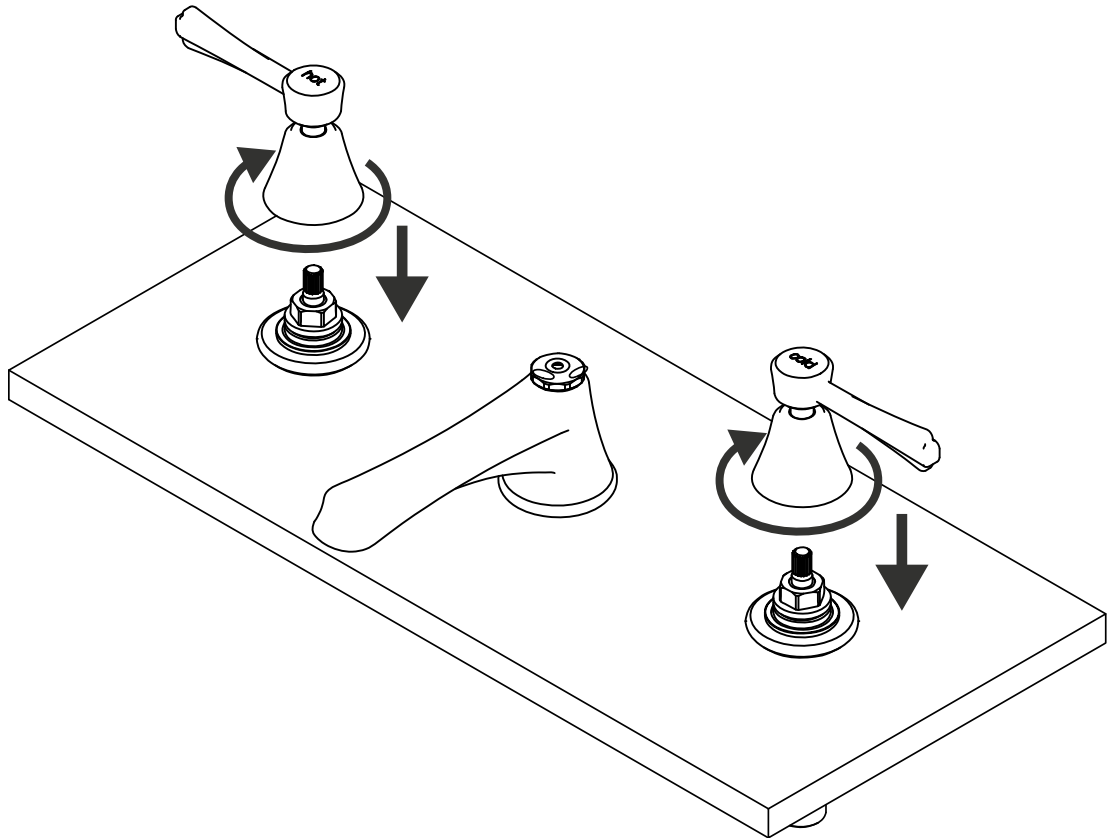
3.



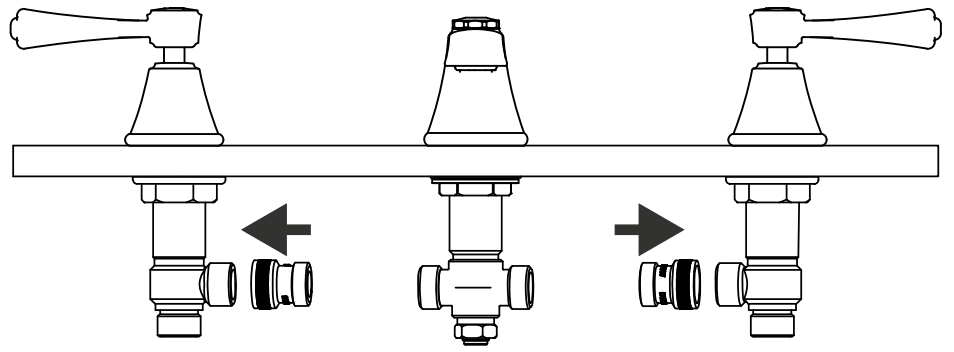
4.



5.

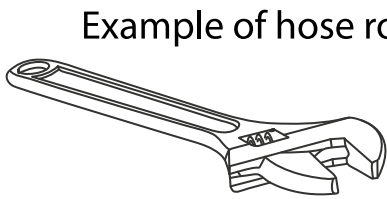
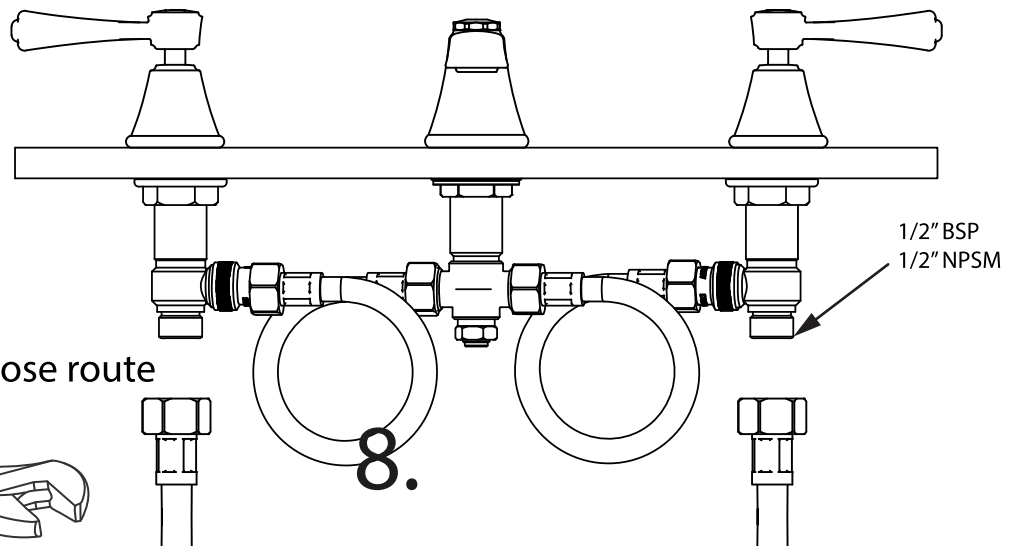


6.  
**! EU Only**

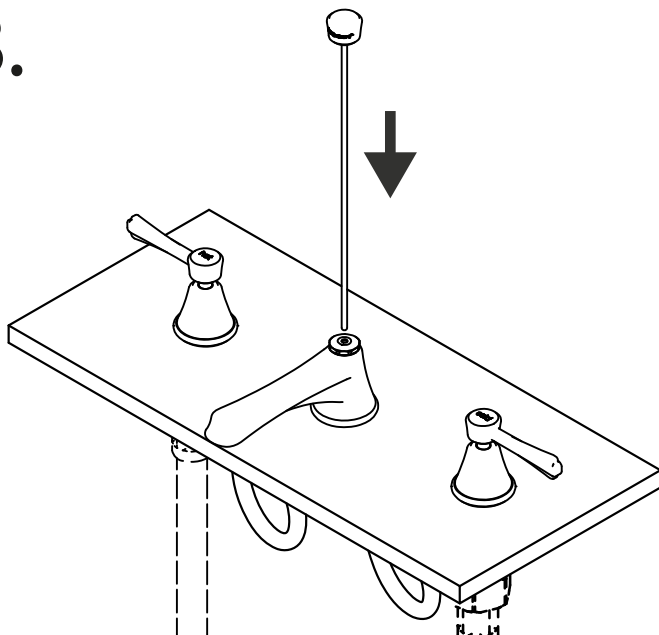


7.

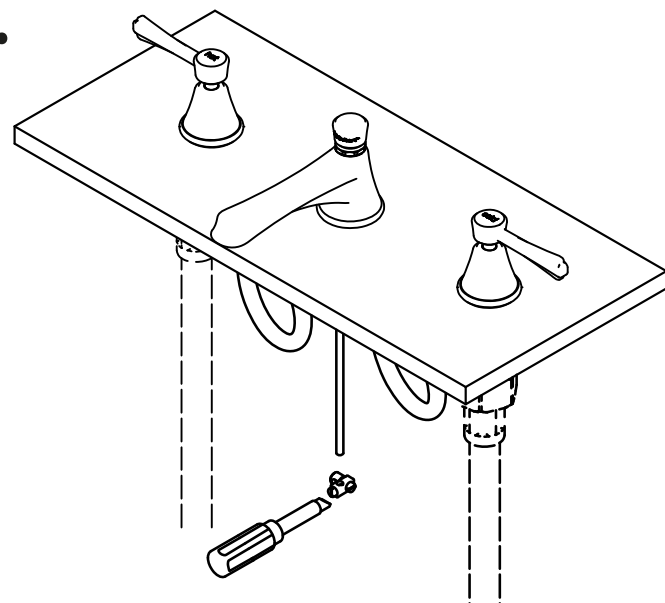
Clean Pipes  
Limpiar Tuberias  
Nettoyer la tuyauterie  
Rohre säubern



8.

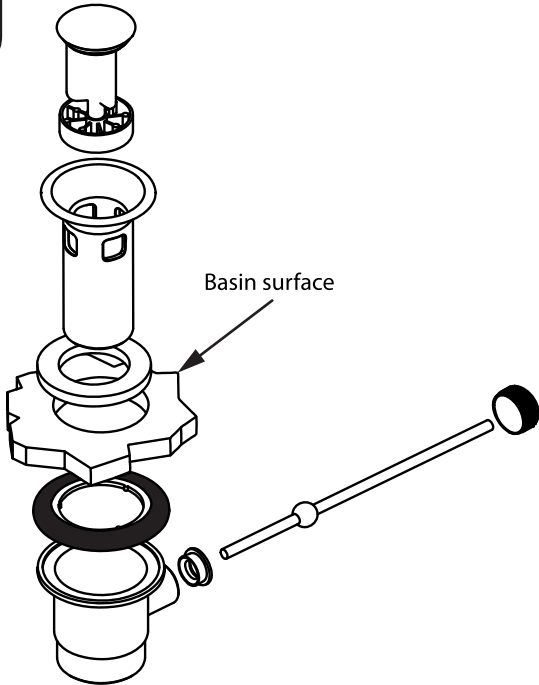


9.

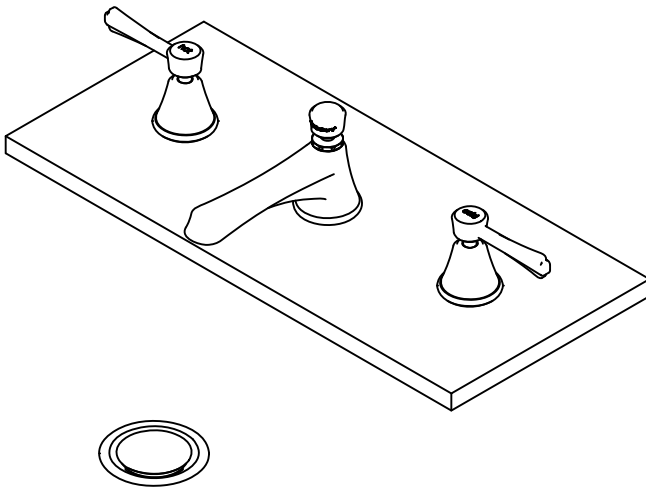
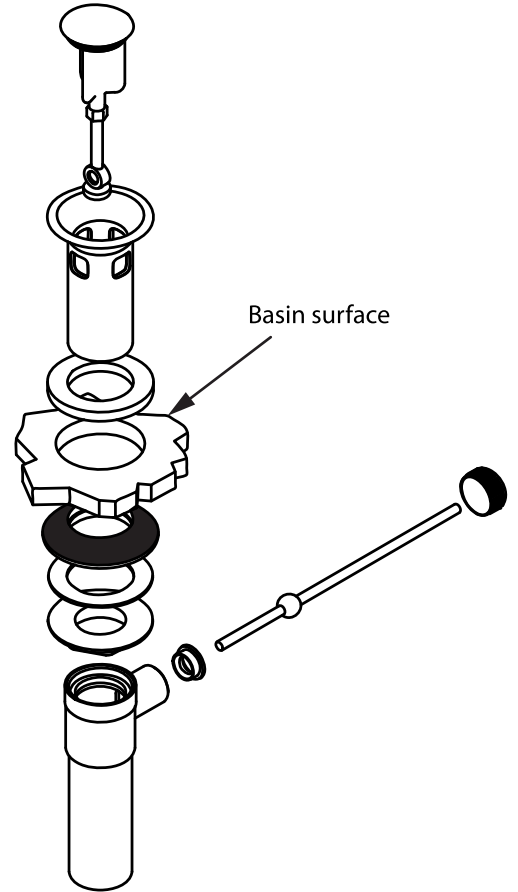


10.


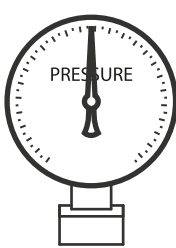
EU



US



CHECK  
COMPROBAR  
VERIFER  
ÜBERPRÜFEN

	<b>UK/EU</b> 1 - 5 Bar Max 6 L/min @ 3.0 Bar
	<b>US/CA</b> 14.5 - 72.5 psi Max 1.2 gpm @ 60 psi

- 1. 1/4 Turn Cartridge (hot or cold)
- 2. Flange (x2)
- 3. Washer (x2)
- 4. Side Body Valve
- 5. Check Valve (EU only)
- 6. Flexible Connctor (x2)
- 7. O ring (x2)
- 8. Spacer
- 9. Nut
- 10. Waste Assembly
- 11. Rod Connector
- 12. Rod with Knob
- 13. Handle (hot or cold)
- 14. Spout and Body
- 15. Aerator
- 16. Washer
- 17. Metal Washer
- 18. Nut
- 19. O ring
- 20. Manifold

