

Tubo 41



Wall mounted fixed shower head and arm

Tubo collection – purity of form and function; elegant brassware with a sleek aesthetic. Perfect for contemporary bathroom design. Made in England using traditional techniques.

- 0.5bar minimum, 1.0bar recommended

Polished chrome (shown)

Wandmontierter Kopfbrause mit Arm

Die Tubo Kollektion – klare Formensprache und Funktion, elegante Armatur mit schlanker Ästhetik. Perfekt für modernes Badezimmer Design. Made in England unter Verwendung traditioneller Techniken.

- Mindestdruck 0,5bar, 1,0bar empfohlen

Chrom poliert (abgebildet)

Pomme de douche à fixation murale

Collection Tubo – pureté des formes et des fonctions; robinetterie élégante avec un design épuré. Parfaite pour des salles de bains au design contemporain. Fabriquée en Angleterre à l'aide de techniques traditionnelles.

- Minimum 0,5bar, 1,0bar recommandée

Chrome poli (voir photo)

Ducha fija con brazo para montaje sobre pared

Colección Tubo: pureza en la forma y función; grifería de estética elegante. Perfecta para un diseño de baño contemporáneo. Fabricada en Inglaterra a partir de técnicas tradicionales.

- Mínimo 0,5bar, 1,0bar recomendado

Cromado brillante (ver foto)

Soffione doccia fisso e braccio a parete

Collezione Tubo - purezza di forma e funzionalità; rubinetteria elegante con estetica di lusso. Perfetto per la progettazione di una stanza da bagno contemporanea. Prodotto in Inghilterra utilizzando forme tradizionali.

- Minimo di 0,5bar, 1,0bar raccomandata

Cromo lucido (mostrato)

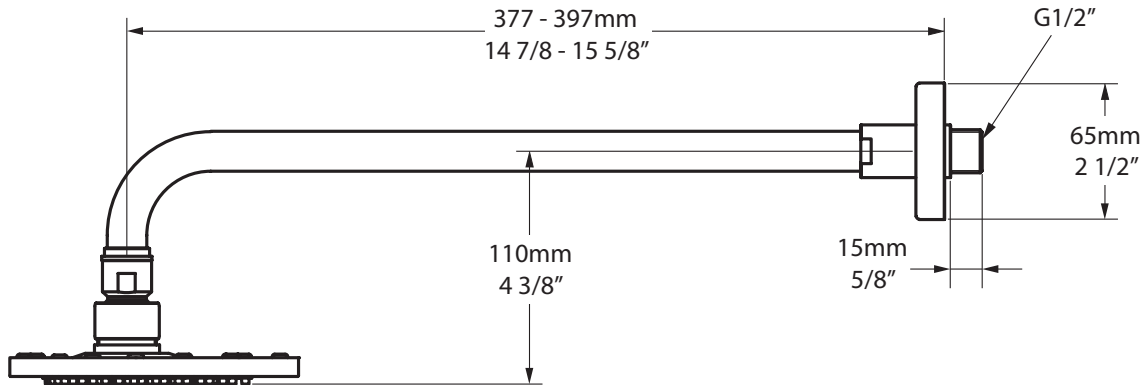
-  **TU-41-PC** Polished chrome, Chrom poliert, Chrome poli, Cromado brillante, Cromo lucido
-  **TU-41-BN** Brushed nickel, Nickel brossé, Nickel gebürstet, Nickel spazzolato, Niquel satinado

5
years



Massachusetts Code: File No. Pending
cUPC listing (ASME & CSA) by IAPMO: File No. Pending
Lead Free listing (Safe Drinking Water Act & California Health & Safety Code) by IAPMO: File No. Pending
Drinking Water Listing (NSF 61) by IAPMO: File No. Pending

Tubo 41 TU-41-**



Tubo 41

UK 0.5bar minimum, 1.0bar recommended
 DE 0,5bar Minimum 1,0bar empfohlen
 FR Minimum 0,5bar, 1,0bar recommandée
 ES Mínimo 0,5bar, 1,0bar recomendado
 IT Minimo di 0,5bar, 1,0bar raccomandata

*All measurements subject to +/-5% tolerance



.dwg | .dxf | .skp www.vandabaths.com



Massachusetts Code: File No. Pending
 cUPC listing (ASME & CSA) by IAPMO: File No. Pending
 Lead Free listing (Safe Drinking Water Act & California
 Health & Safety Code) by IAPMO: File No. Pending
 Drinking Water Listing (NSF 61) by IAPMO:
 File No. Pending

VA/1204/01/Feb18