

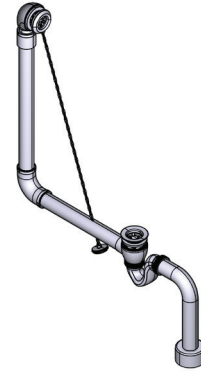
# SPECIFICATIONS

**DESCRIPTION**

- Traditional 'plug & chain' waste kit

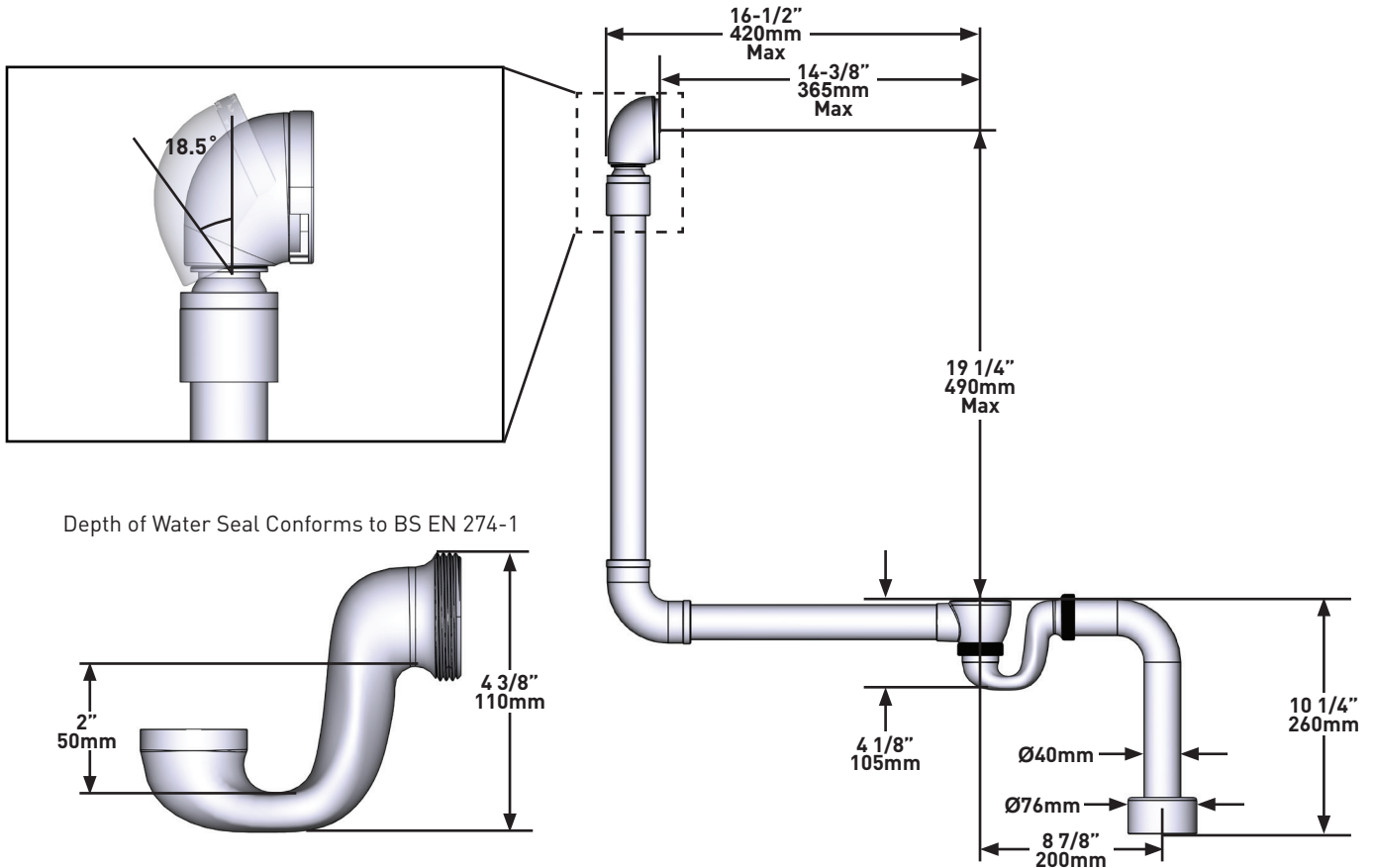
**WARRANTY**

- Visit [www.houseofrohl.uk](http://www.houseofrohl.uk) for more information



**Waste Kit**

**MODELS:** K-31 series



For care and cleaning, product warranty, and additional information contact:

**US Customers**

U.S.A.  
[houseofrohl.com/support](http://houseofrohl.com/support)  
 1-800-777-9762

**Canadian Customers**

QUEBEC / MARITIMES / WESTERN CANADA  
 QUÉBEC / MARITIMES / OUEST CANADIEN  
 QUEBEC / MARITIMOS / CANADA OCCIDENTAL  
[houseofrohl.ca/support](http://houseofrohl.ca/support)  
 1-866-473-8442

**EMEA Customers**

UNITED KINGDOM  
[www.houseofrohl.uk](http://www.houseofrohl.uk)  
 01952 221100

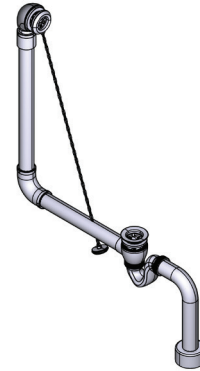
# SPÉCIFICATIONS

**DESCRIPTION**

- Vidage rétro “bonde et chaînette” pour baignoires avec trou de trop-plein

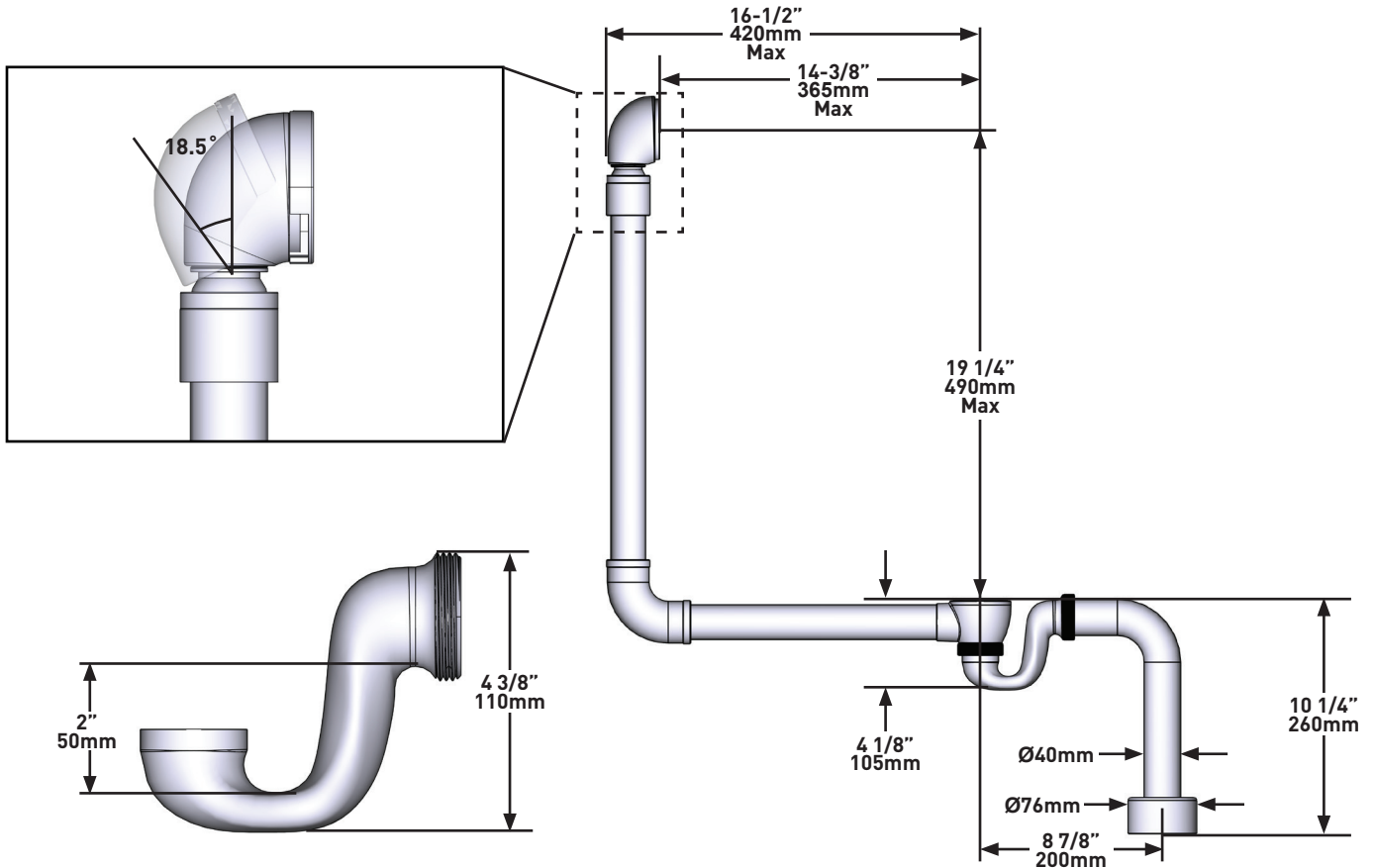
**GARANTIE**

- Pour davantage d’informations, rendez-vous sur [www.houseofrohl.uk](http://www.houseofrohl.uk)



**Kit de vidage**

**MODÈLES :** K-31



For care and cleaning, product warranty, and additional information contact:

**US Customers**

U.S.A.  
[houseofrohl.com/support](http://houseofrohl.com/support)  
 1-800-777-9762

**Canadian Customers**

QUEBEC / MARITIMES / WESTERN CANADA  
 QUÉBEC / MARITIMES / OUEST CANADIEN  
 QUEBEC / MARITIMOS / CANADA OCCIDENTAL  
[houseofrohl.ca/support](http://houseofrohl.ca/support)  
 1-866-473-8442

**EMEA Customers**

UNITED KINGDOM  
[www.houseofrohl.uk](http://www.houseofrohl.uk)  
 01952 221100



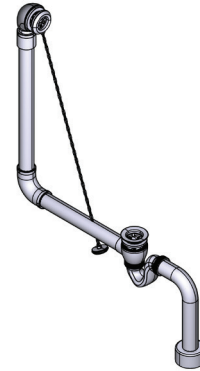
# SPEZIFIKATIONEN

## BESCHREIBUNG

- Klassische „Kette & Stöpsel“-Ablaufgarnitur für Wannen mit Überlauf

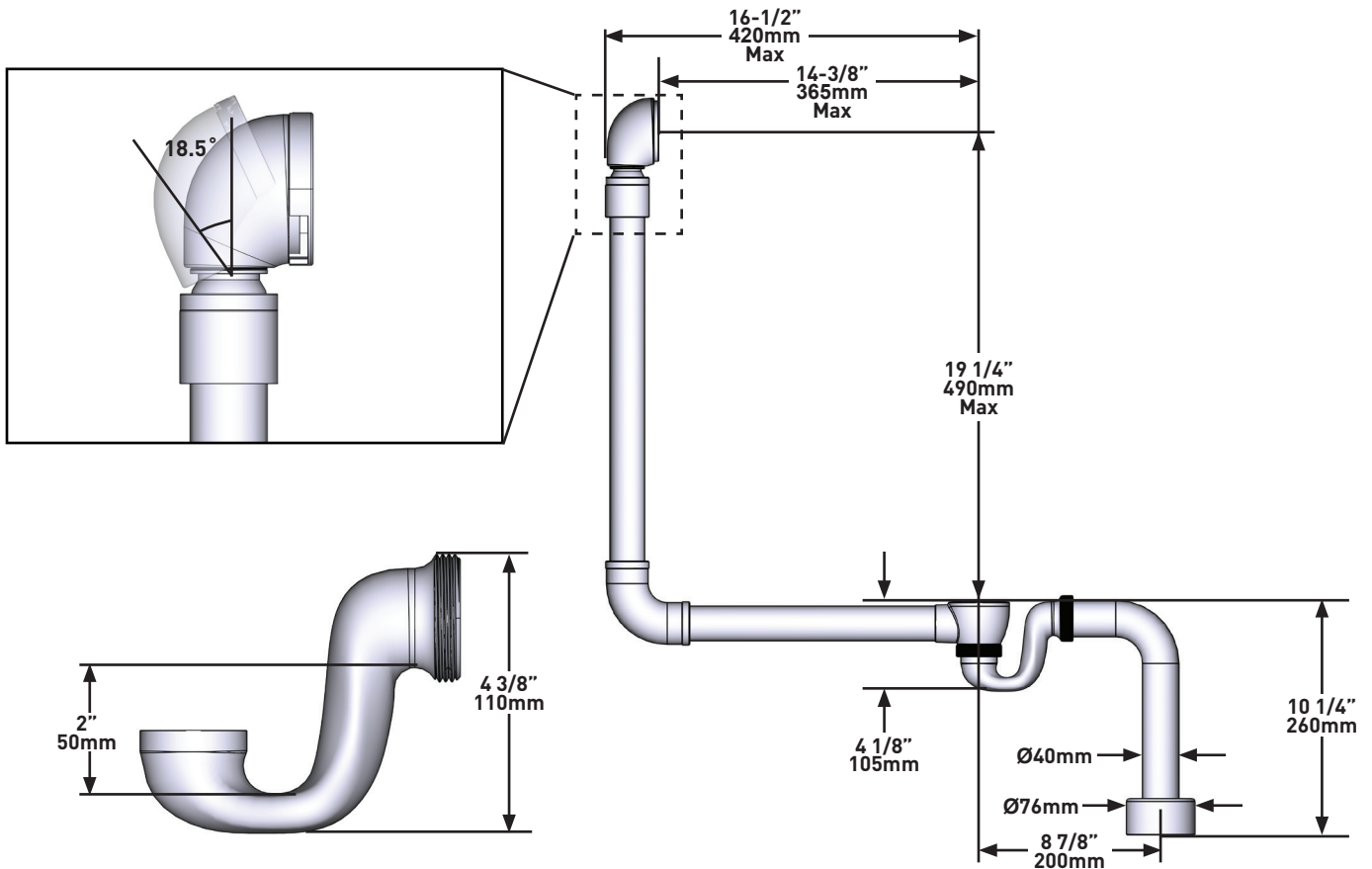
## GARANTIE

- Weitere Informationen unter [www.houseofrohl.uk](http://www.houseofrohl.uk)



**Ablaufset**

**MODELLE:** K-31



For care and cleaning, product warranty, and additional information contact:

### US Customers

U.S.A.  
[houseofrohl.com/support](http://houseofrohl.com/support)  
 1-800-777-9762

QUEBEC / MARITIMES / WESTERN CANADA  
 QUÉBEC / MARITIMES / OUEST CANADIEN  
 QUEBEC / MARITIMOS / CANADA OCCIDENTAL  
[houseofrohl.ca/support](http://houseofrohl.ca/support)  
 1-866-473-8442

### Canadian Customers

ONTARIO  
[houseofrohl.ca/support](http://houseofrohl.ca/support)  
 1-800-287-5354

### EMEA Customers

UNITED KINGDOM  
[www.houseofrohl.uk](http://www.houseofrohl.uk)  
 01952 221100

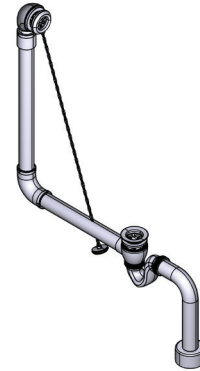
# SPECIFICHE TECNICHE

## DESCRIZIONE

- Sistema di scarico con tappo e catena tradizionali per vasche con foro per troppopieno

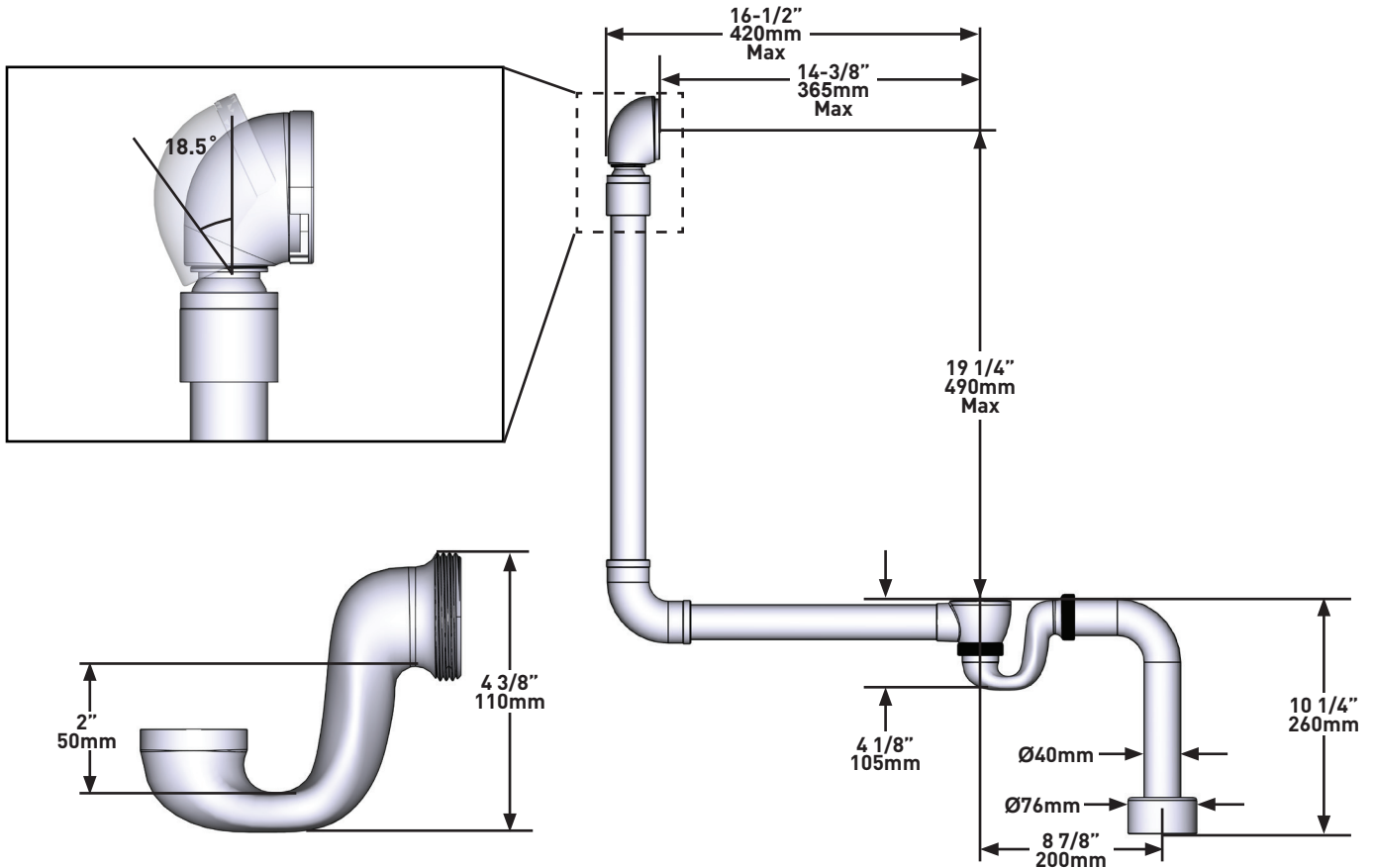
## GARANZIA

- Per maggiori informazioni visita [www.houseofrohl.uk](http://www.houseofrohl.uk)



**Kit di Scarico**

**MODELLI:** K-31



For care and cleaning, product warranty, and additional information contact:

### US Customers

U.S.A.  
[houseofrohl.com/support](http://houseofrohl.com/support)  
 1-800-777-9762

### Canadian Customers

QUEBEC / MARITIMES / WESTERN CANADA  
 QUÉBEC / MARITIMES / OUEST CANADIEN  
 QUEBEC / MARITIMOS / CANADA OCCIDENTAL  
[houseofrohl.ca/support](http://houseofrohl.ca/support)  
 1-866-473-8442

### EMEA Customers

UNITED KINGDOM  
[www.houseofrohl.uk](http://www.houseofrohl.uk)  
 01952 221100

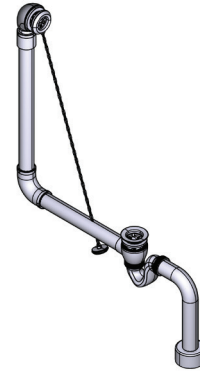
# ESPECIFICACIONES

## DESCRIPCIÓN

- Vaciador tradicional con tapón y cadena para bañeras con agujero rebosadero

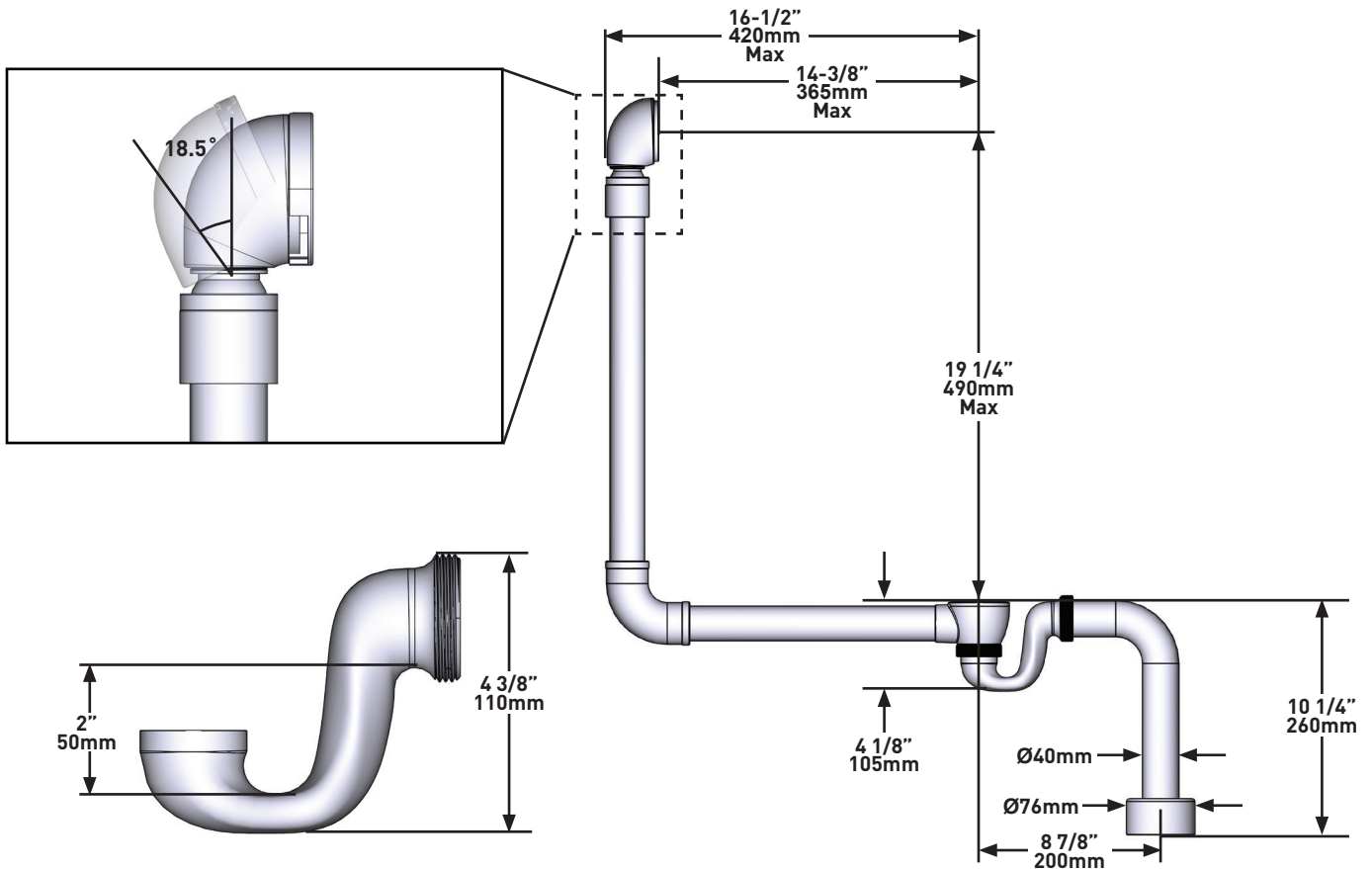
## GARANTÍA

- Para más información, visite [www.houseofrohl.uk](http://www.houseofrohl.uk)



**Kit de desagüe**

**MODELOS:** K-31



For care and cleaning, product warranty, and additional information contact:

**US Customers**

U.S.A.  
[houseofrohl.com/support](http://houseofrohl.com/support)  
 1-800-777-9762

QUEBEC / MARITIMES / WESTERN CANADA  
 QUÉBEC / MARITIMES / OUEST CANADIEN  
 QUEBEC / MARITIMOS / CANADA OCCIDENTAL  
[houseofrohl.ca/support](http://houseofrohl.ca/support)  
 1-866-473-8442

**Canadian Customers**

ONTARIO  
[houseofrohl.ca/support](http://houseofrohl.ca/support)  
 1-800-287-5354

**EMEA Customers**

UNITED KINGDOM  
[www.houseofrohl.uk](http://www.houseofrohl.uk)  
 01952 221100

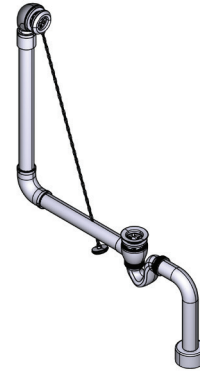
# SPECIFICATIES

**BESCHRIJVING**

- Overloopcombinatie met traditionele ketting en plug voor baden met overloop

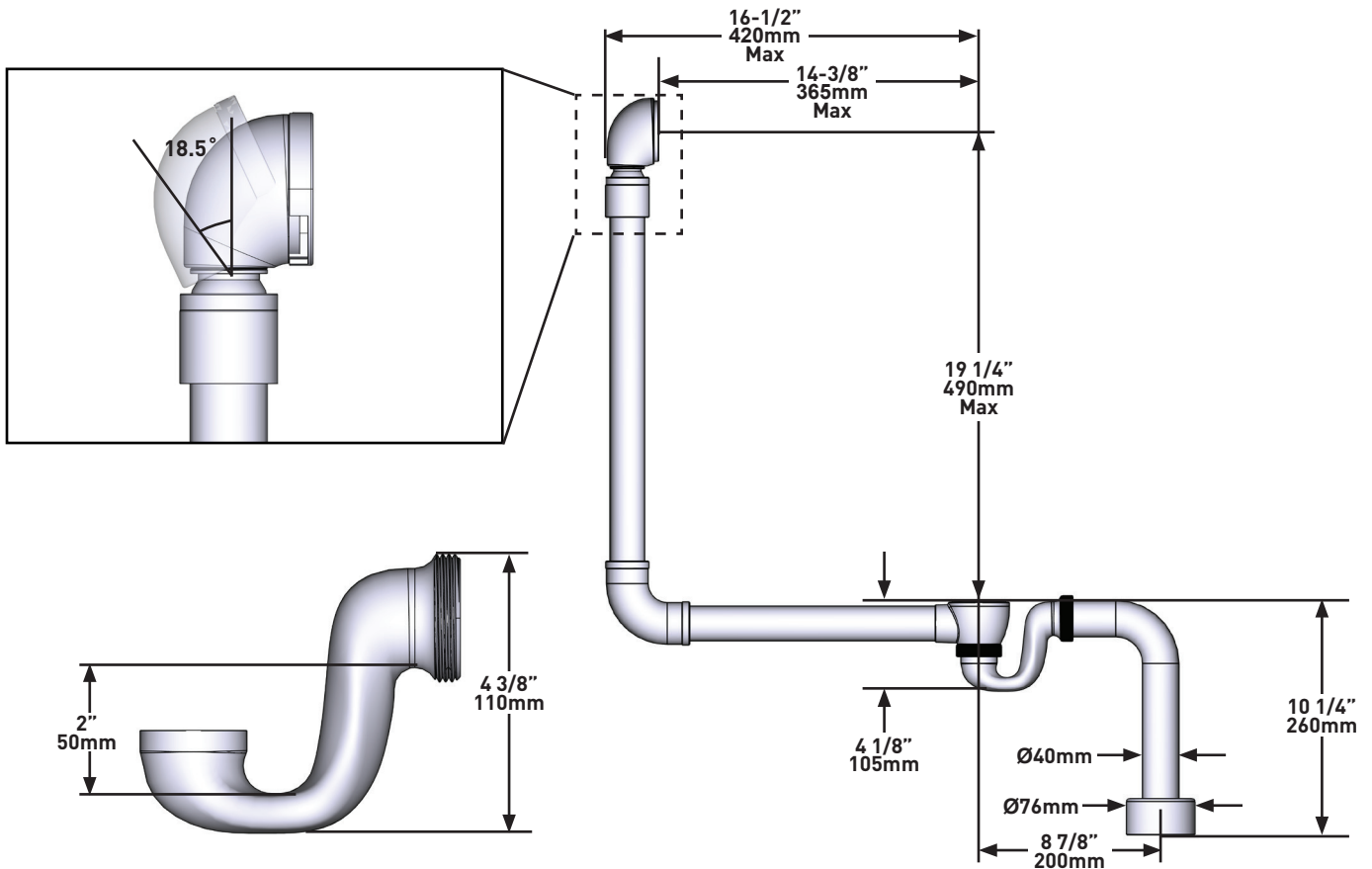
**GARANTIE**

- Voor meer informatie, bezoek [www.houseofrohl.uk](http://www.houseofrohl.uk)



**Afvoerkit**

**MODELLEN:** K-31



For care and cleaning, product warranty, and additional information contact:

**US Customers**

U.S.A.  
[houseofrohl.com/support](http://houseofrohl.com/support)  
 1-800-777-9762

**Canadian Customers**

QUEBEC / MARITIMES / WESTERN CANADA  
 QUÉBEC / MARITIMES / OUEST CANADIEN  
 QUEBEC / MARITIMOS / CANADA OCCIDENTAL  
[houseofrohl.ca/support](http://houseofrohl.ca/support)  
 1-866-473-8442

**EMEA Customers**

UNITED KINGDOM  
[www.houseofrohl.uk](http://www.houseofrohl.uk)  
 01952 221100

