

Staffordshire 11



 Staffordshire traditional deck mounted basin faucet

The Staffordshire Collection includes traditional mixers and showers, featuring authentic ceramic handles and vintage-designed spouts. Made in England using traditional techniques.

- Minimum pressure: 7.25psi

Polished chrome (shown)

 Mélangeur rétro Staffordshire pour vasque

La collection Staffordshire inclut des mitigeurs et des colonnes de douche traditionnels avec d'authentiques poignées en céramique ainsi que des embouts de style vintage. La collection est fabriquée en Angleterre selon des techniques traditionnelles.

- Pression minimum: 7,25psi

Chromé (voir photo)

 Staffordshire grifería tradicional de lavabo

La Colección Staffordshire incluye griferías y columnas de ducha clásicas, que incluyen mangos en cerámica auténtica y caños de diseño vintage. Fabricada en Inglaterra a partir de técnicas tradicionales.

- Presión mínima: 7,25psi

Cromado brillante (ver foto)

 STA-11-PC Polished chrome, Chrome poli, Cromado brillante

 STA-11-BN Brushed nickel, Nickel brossé, Niquel satinado

 STA-11-PN Polished nickel, Nickel poli, Niquel brillante

 STA-11-UB Unlacquered brass, Laiton poli, Latón no lacado

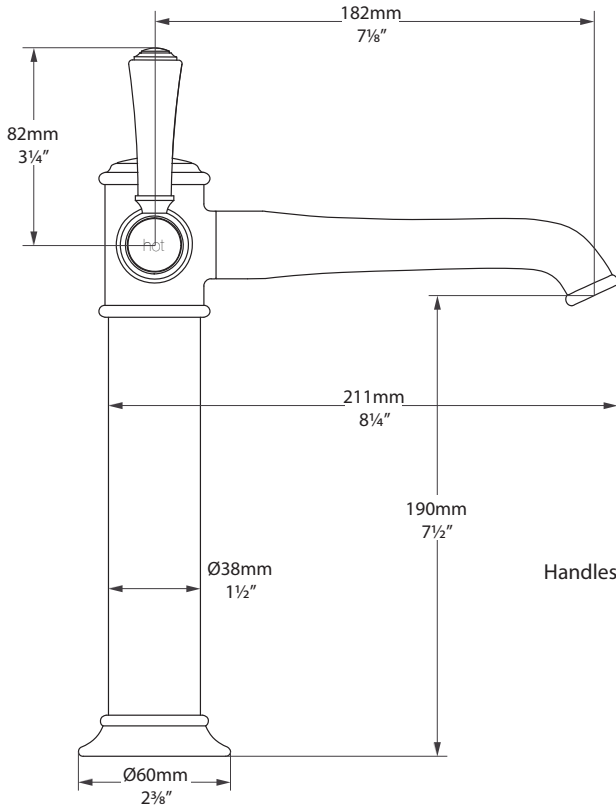


Massachusetts Code: Approved
 cUPC listing (ASME & CSA) by IAPMO: File No. 3366
 EPA Watersense High Efficiency Lavatory Faucet by IAPMO: File No. 5514
 IAPMO Green, CAL Green, LEED 2013 : File No. G-9197
 Lead Free listing (Safe Drinking Water Act & California Health & Safety Code) by IAPMO: File No. 6342
 Drinking Water listing (NSF 61) by IAPMO: File No. N-6994
 CEC Appliance Efficiency Program: Approved
 Department of Energy Certificate: Approved
 ADA Compliant: Approved

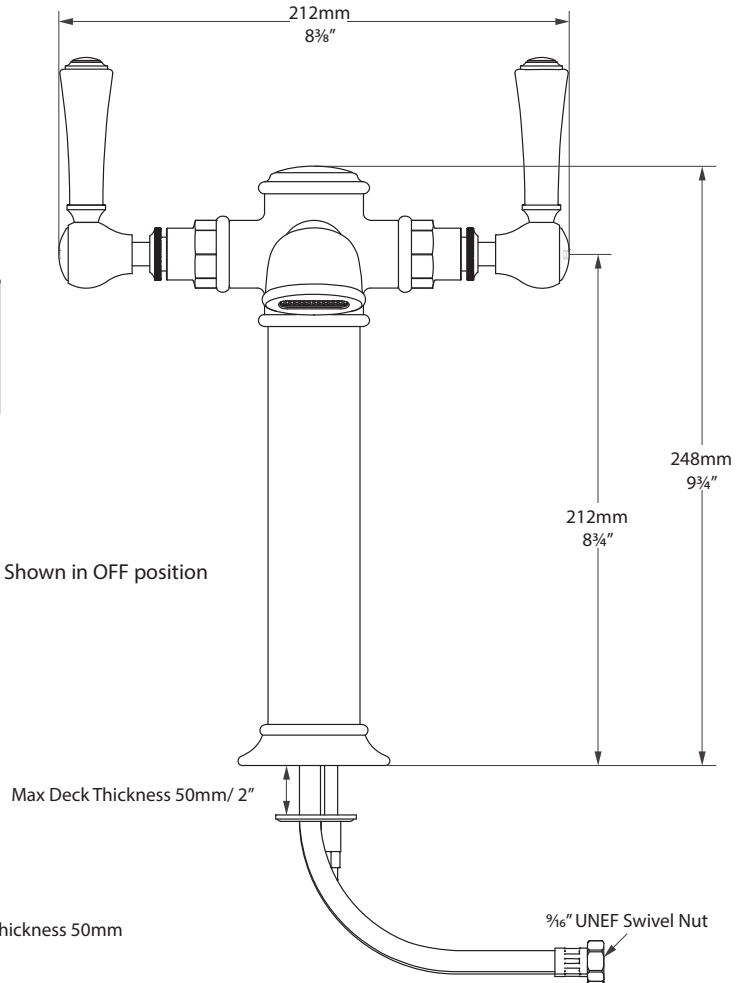


Unlacquered brass is a "living finish" that will patina naturally over time without regular polishing
 Le laiton mat est une "finition vivante" qui se patine naturellement avec le temps
 El bronce no lacado es un "acabado vivo" que irá cambiando gracias al desarrollo de una pátina natural que se irá creando a medida que pase el tiempo y sin necesidad de pulirlo

Staffordshire 11 STA-11-**



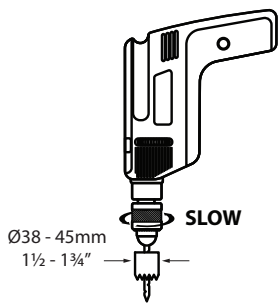
Handles Shown in OFF position



Maximum Deck Thickness 50mm

Staffordshire 11

US 7.25psi minimum, 14.50psi recommended
 FR Minimum 7,25 psi, 14,50 psi recommandée
 ES Mínimo 7,25 psi, 14,50 psi recomendado



*All measurements subject to +/-5% tolerance

Pressure (psi)	7.25	14.50	21.75	29.00	43.51	58.00	72.52
Flow (gpm)	0.75	1.04	1.20	1.20	1.20	1.20	1.20

*Restricted to 1.20 gm



.dwg | .dxf | .skp www.vandabaths.com



Massachusetts Code: Approved
 cUPC listing (ASME & CSA) by IAPMO: File No. 3366
 EPA Watersense High Efficiency Lavatory Faucet by IAPMO: File No. 5514
 IAPMO Green, CAL Green, LEED 2013 : File No. G-9197
 Lead Free listing (Safe Drinking Water Act & California Health & Safety Code)
 by IAPMO: File No. 6342
 Drinking Water listing (NSF 61) by IAPMO: File No. N-6994
 CEC Appliance Efficiency Program: Approved
 Department of Energy Certificate: Approved
 ADA Compliant: Approved