

SHAPE

- Rectangle

SIZE

- Length: 518mm, Width: 392mm, Height: 170mm

MATERIAL

- QUARRYCAST™

WEIGHT

- 6.3kg

CAPACITY

- 9.8L

INSTALLATION TYPE

- Undermount

DRAIN

- Includes an Internal Overflow
- Drain kit required, sold separately
- Recommended wastes: K-25, K-28

STANDARDS

- IAPMO pending

WARRANTY

- 25 years residential
- 8 years commercial
- Visit www.vandabaths.com for further information

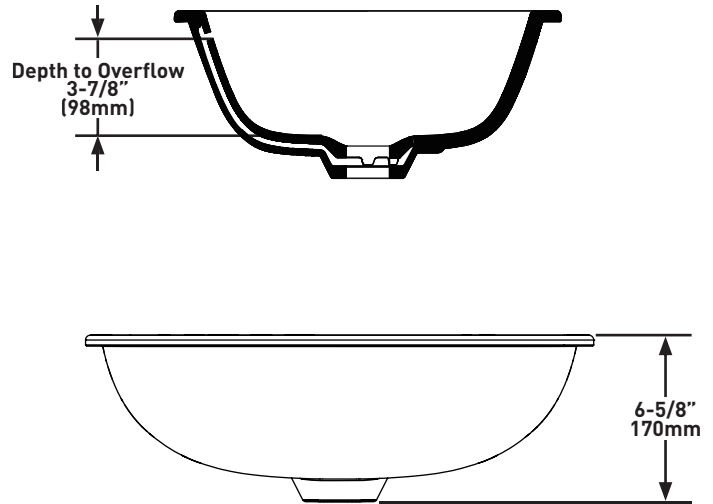
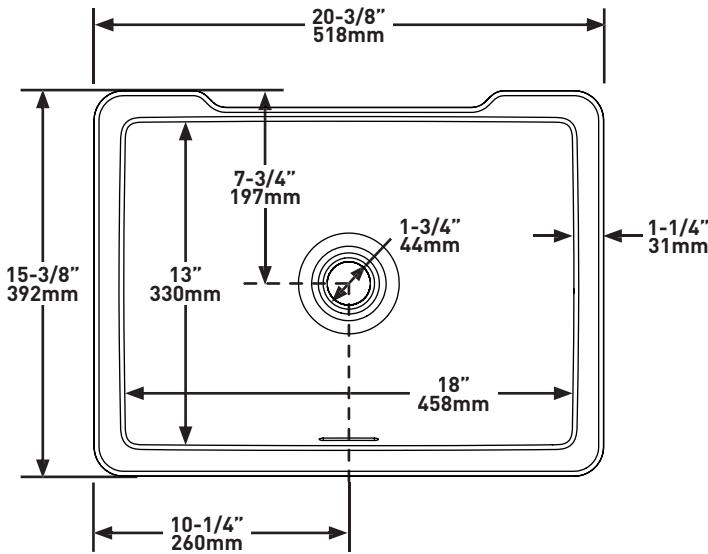
SPECIFICATIONS



LACENO™ 52

Undermount Rectangular Basin

MODELS: UB-LAC-52-10
UB-LAC52M-SM-10



For care and cleaning, product warranty, and additional information contact:

US Customers

U.S.A.
houseofrohl.com/support
1-800-777-9762

QUEBEC / MARITIMES / WESTERN CANADA
QUÉBEC / MARITIMES / OUEST CANADIEN
QUEBEC / MARITIMOS / CANADA OCCIDENTAL
houseofrohl.ca/support
1-866-473-8442

Canadian Customers

ONTARIO
houseofrohl.ca/support
1-800-287-5354

EMEA Customers

vandabaths.com
+44 (0) 1952 221 100

FORME

- Rectangulaire

DIMENSIONS

- Longueur: 518mm, Largeur: 392mm, Hauteur: 170mm

MATÉRIAU

- QUARRYCAST™

POIDS

- 6.3kg

CAPACITÉ

- 9.8L

TYPE D'INSTALLATION

- Sous-plan

ÉVACUATION

- Trop-plein interne inclus
- Kit d'évacuation requis, vendu séparément
- Vidages recommandés: K-25, K-28

CERTIFICATIONS

- Certification IAPMO en cours

GARANTIE

- 25 années en utilisation domestique
- 8 années en utilisation professionnelle
- Pour davantage d'informations, rendez-vous sur vandabaths.com

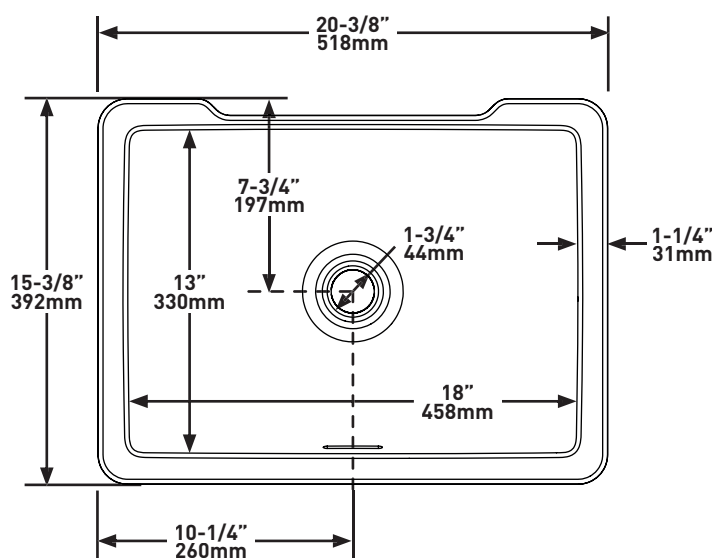
SPÉCIFICATIONS



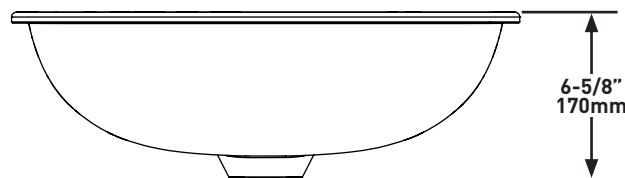
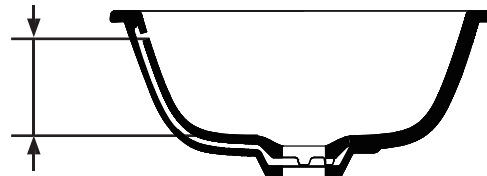
LACENO^{MC} 52

Lavabo rectangulaire sous-plan

MODÈLES : UB-LAC-52-10
UB-LAC52M-SM-10



Profondeur de l'eau
jusqu'au trop-plein
3-7/8"
(98mm)



For care and cleaning, product warranty, and additional information contact:

US Customers

U.S.A.
houseofrohl.com/support
1-800-777-9762

QUEBEC / MARITIMES / WESTERN CANADA
QUÉBEC / MARITIMES / OUEST CANADIEN
QUEBEC / MARITIMOS / CANADA OCCIDENTAL
houseofrohl.ca/support
1-866-473-8442

Canadian Customers

ONTARIO
houseofrohl.ca/support
1-800-287-5354

EMEA Customers

vandabaths.com
+44 (0) 1952 221 100

TECHNISCHES DATENBLATT

FORM

- Rechteck

GRÖSSE

- Länge: 518mm, Breite: 392mm, Höhe: 170mm

MATERIAL

- QUARRYCAST™

GEWICHT

- 6.3kg

KAPAZITÄT

- 9.8L

INSTALLATIONSART

- Unterbau

ABFLUSS

- Mit internem Überlauf
- Abflussgarnitur erforderlich, separat erhältlich
- Empfohlene Ablaufventile: K-25, K-28

ZERTIFIZIERUNGEN

- IAPMO ausstehend

GARANTIE

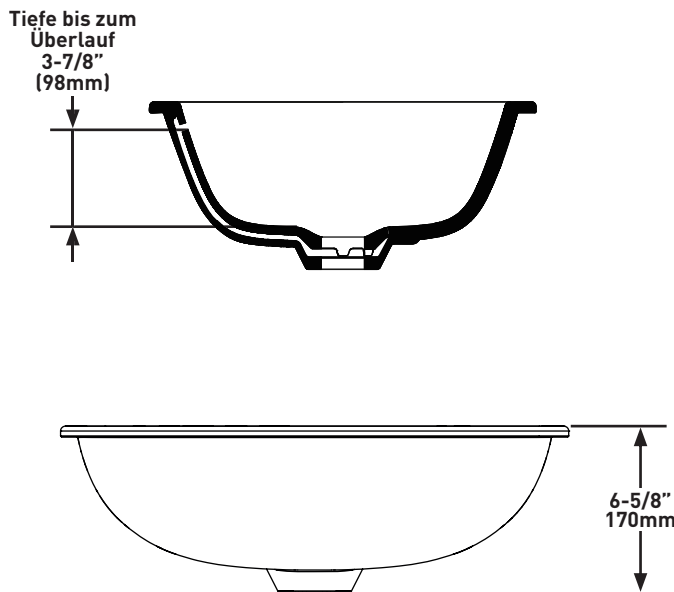
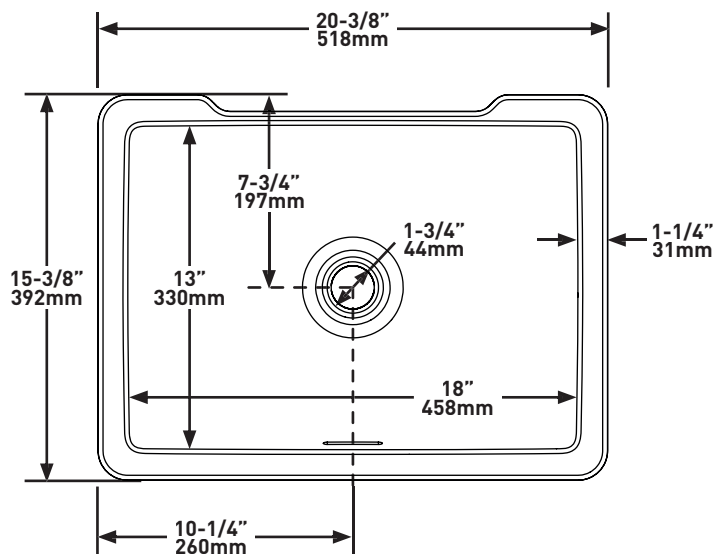
- 25 Jahre private Nutzung
- 8 Jahre gewerbliche Nutzung
- Weitere Informationen unter vandabaths.com



LACENO™ 52

Rechteckiges Unterbaubecken

MODELLE: UB-LAC-52-IO
UB-LAC52M-SM-IO



For care and cleaning, product warranty, and additional information contact:

US Customers

U.S.A.
houseofrohl.com/support
1-800-777-9762

QUEBEC / MARITIMES / WESTERN CANADA
QUÉBEC / MARITIMES / OUEST CANADIEN
QUEBEC / MARITIMOS / CANADA OCCIDENTAL
houseofrohl.ca/support

Canadian Customers

ONTARIO
houseofrohl.ca/support
1-800-287-5354

EMEA Customers

vandabaths.com
+44 (0) 1952 221 100

SPECIFICHE TECNICHE

FORMA

- Rettangolo

DIMENSIONI

- Lunghezza: 518mm, Larghezza: 392mm, Altezza: 170mm

MATERIALE

- QUARRYCAST™

PESO

- 6.3kg

CAPACITÀ

- 9.8L

TIPO DI INSTALLAZIONE

- Sottopiano

SCARICO

- Comprende un troppopieno interno
- Kit per scarico necessario, venduto separatamente
- Scarichi raccomandati: K-25, K-28

STANDARD

- IAPMO - in attesa

GARANZIA

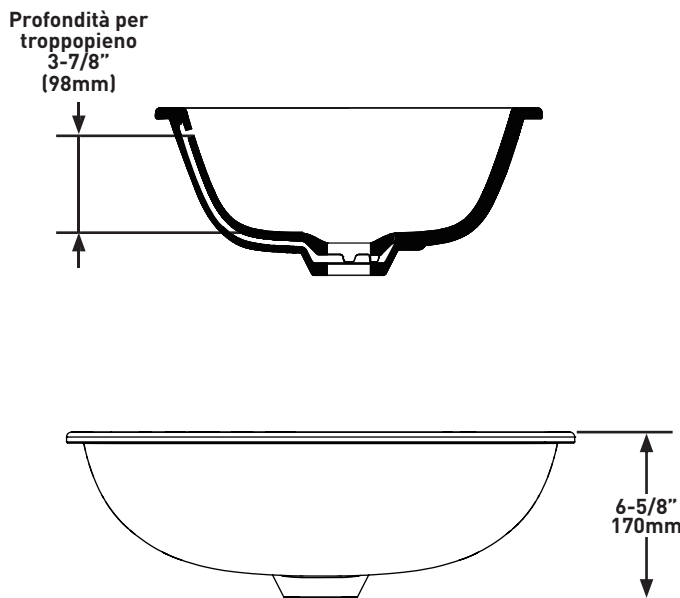
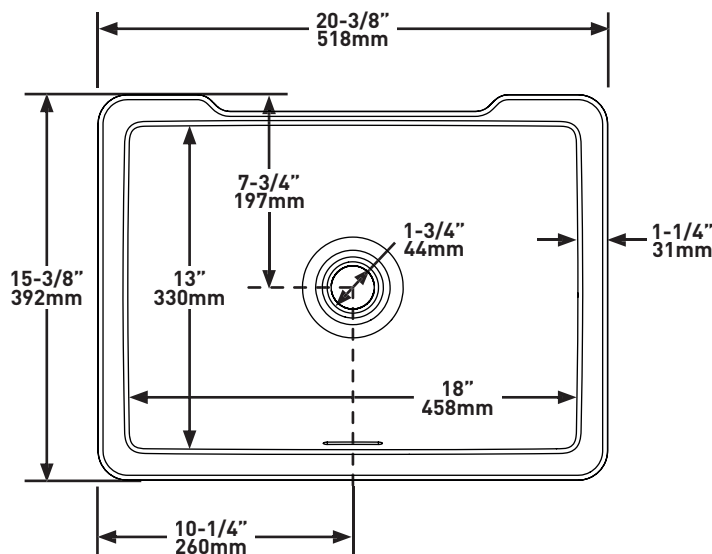
- 25 anni residenziale
- 8 anni commerciale
- Per maggiori informazioni visita vandabaths.com



LACENO™ 52

Lavabo rettangolare sottopiano

MODELLI: UB-LAC-52-IO
UB-LAC52M-SM-IO



For care and cleaning, product warranty, and additional information contact:

US Customers

U.S.A.
houseofrohl.com/support
1-800-777-9762

QUEBEC / MARITIMES / WESTERN CANADA
QUÉBEC / MARITIMES / OUEST CANADIEN
QUEBEC / MARITIMOS / CANADA OCCIDENTAL
houseofrohl.ca/support

Canadian Customers

ONTARIO
houseofrohl.ca/support
1-800-287-5354

EMEA Customers

vandabaths.com
+44 (0) 1952 221 100

ESPECIFICACIONES

FORMA

- Rectángulo

TAMAÑO

- Longitud: 518mm, Anchura: 392mm, Alto: 170mm

MATERIAL

- QUARRYCAST™

PESO

- 6.3kg

CAPACIDAD

- 9.8L

TIPO DE INSTALACIÓN

- Bajo encimera

DESAGÜE

- Incluye rebosadero interno
- Requiere kit de desagüe que se vende por separado
- Desagües recomendados: K-25, K-28

ESTÁNDARES

- Pendiente de IAPMO

GARANTÍA

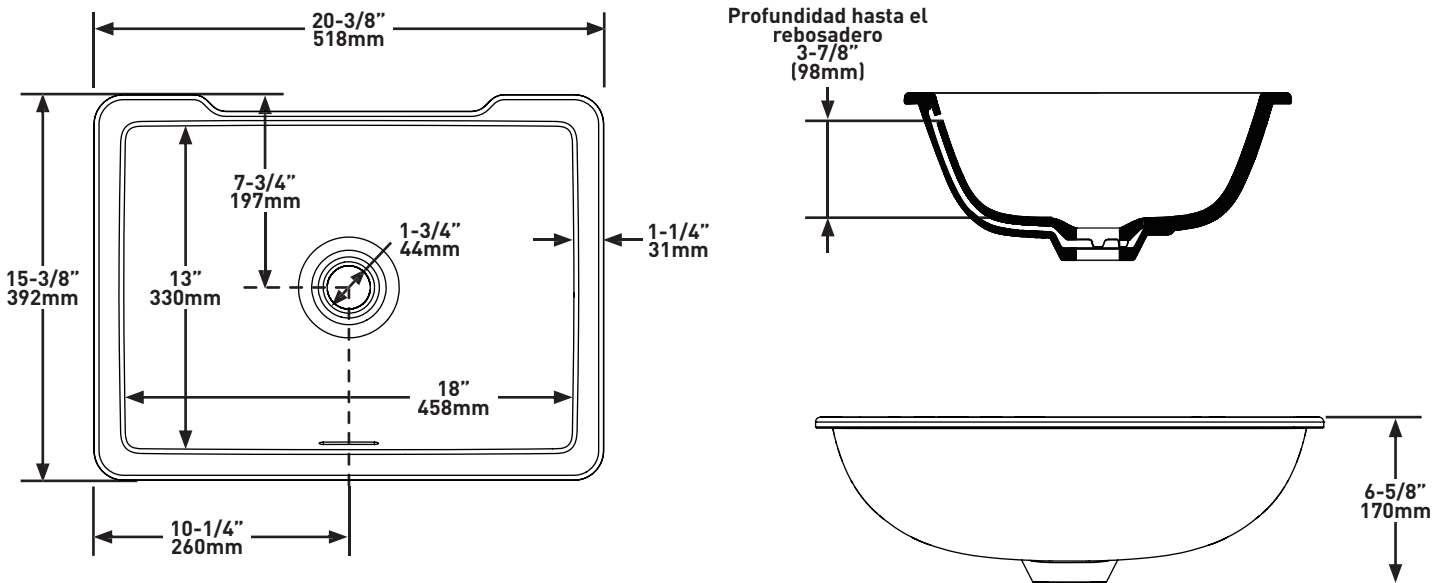
- 25 años para un uso residencial
- 8 años para un uso comercial
- Para más información, visite vandabaths.com



LACENO™ 52

Lavabo rectangular bajo encimera

MODELOS: UB-LAC-52-IO
UB-LAC52M-SM-IO



For care and cleaning, product warranty, and additional information contact:

US Customers

U.S.A.
houseofrohl.com/support
1-800-777-9762

QUEBEC / MARITIMES / WESTERN CANADA
QUÉBEC / MARITIMES / OUEST CANADIEN
QUEBEC / MARITIMOS / CANADA OCCIDENTAL
houseofrohl.ca/support

Canadian Customers

ONTARIO
houseofrohl.ca/support
1-800-287-5354

EMEA Customers

vandabaths.com
+44 (0) 1952 221 100



VORM

- Rechthoekig

FORMAAT

- Lengte: 518mm, Breedte: 392mm, Hoogte: 170mm

MATERIAAL

- QUARRYCAST™

GEWICHT

- 6.3kg

CAPACITEIT

- 9.8L

SOORT INSTALLATIE

- Onderbouw

AFVOER

- Inclusief een interne overloop
- Afvoerset vereist, apart verkrijgbaar
- Aanbevolen afvoer: K-25, K-28

CERTIFICERING

- In afwachting van IAPMO

GARANTIE

- 25 jaar residentieel
- 8 jaar commercieel
- Voor meer informatie, bezoek vandabaths.com

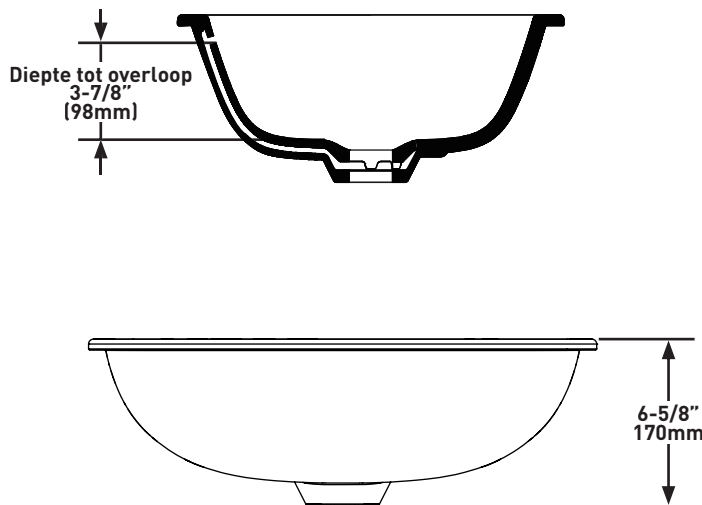
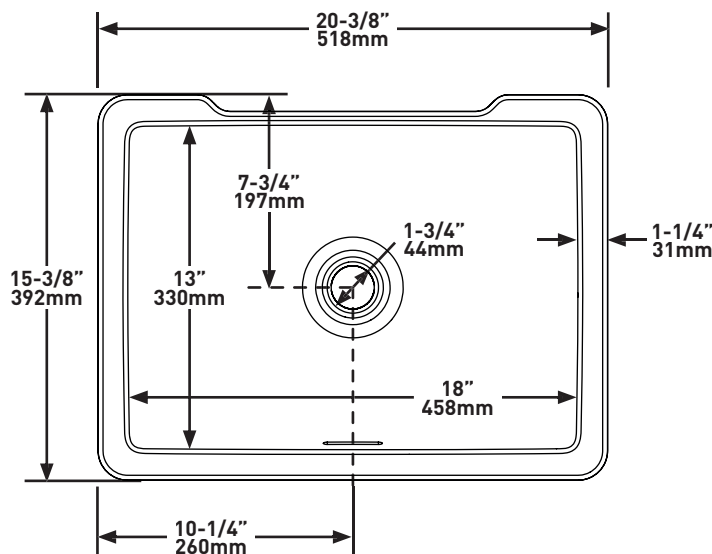
SPECIFICATIES



LACENO™ 52

Rechthoekige onderbouw wastafel

MODELLEN: UB-LAC-52-10
UB-LAC52M-SM-10



For care and cleaning, product warranty, and additional information contact:

US Customers

U.S.A.
houseofrohl.com/support
1-800-777-9762

QUEBEC / MARITIMES / WESTERN CANADA
QUÉBEC / MARITIMES / OUEST CANADIEN
QUEBEC / MARITIMOS / CANADA OCCIDENTAL
houseofrohl.ca/support

Canadian Customers

ONTARIO
houseofrohl.ca/support
1-800-287-5354

EMEA Customers

vandabaths.com
+44 (0) 1952 221 100