

**SHAPE**

- Oval

**SIZE**

- Length: 1775 mm, Width: 798 mm, Height: 606 mm

**MATERIAL**

- QUARRYCAST™

**DRAIN HOLE**

- Centered

**WEIGHT**

- 87 kg

**CAPACITY**

- 466 Litres

**INSTALLATION TYPE**

- Freestanding

**FINISH**

- Gloss White (SW), Matt White (SM)

**DRAIN**

- Drain kit required, sold separately
- Recommended wastes: K-12

**STANDARDS**

- CSA B45.5 / IAPMO Z124

**WARRANTY**

- Refer to the website in the footer to locate the applicable warranty for different regions.

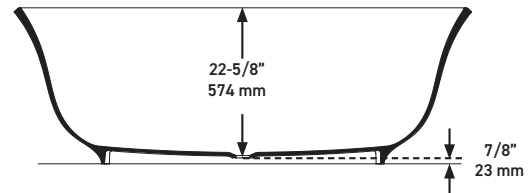
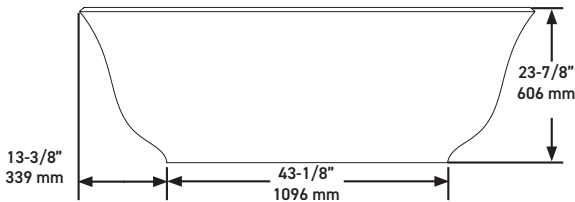
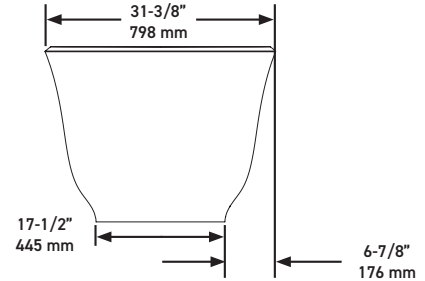
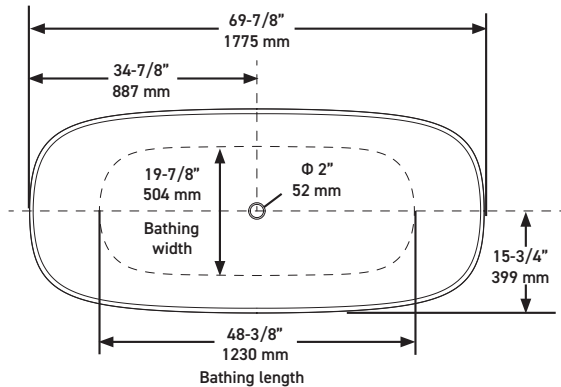
# SPECIFICATIONS



## AMIATA™ 1800

Freestanding Bath

**MODELS:** AMT3-N-SW-NO, AMT3M-N-SM-NO



For care and cleaning, product warranty, and additional information contact:

**US Customers**

**U.S.A.**  
houseofrohl.com/support  
1-800-777-9762

**Canadian Customers**

Quebec / Maritimes / Western Canada  
Québec / Maritimes / Ouest Canadien  
Quebec / Maritimos / Canada Occidental  
houseofrohl.ca/support  
1-866-473-8442

**EMEA Customers**

www.houseofrohl.design  
+44 (0) 3338 000 011

