

SHAPE

- D-shaped

SIZE

- Length: 412 mm, Width: 497 mm, Height: 127.6 mm

MATERIAL

- QUARRYCAST™

WEIGHT

- 6.60kg

CAPACITY

- 7.03L

INSTALLATION TYPE

- Countertop

FINISH

- Gloss White, Matt White

DRAIN

- Off-centre
- Dropped waste outlet with internal overflow
- Drain kit K-25 required and sold separately

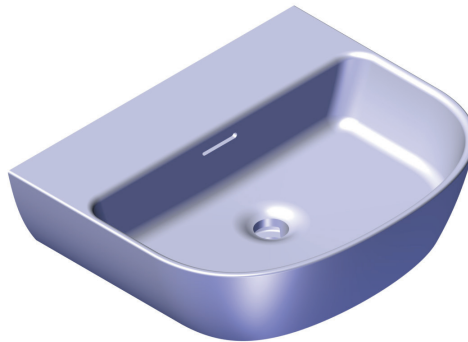
TAP HOLE

- Options available: No tap hole, one tap hole, or three tap holes

WARRANTY

- 25 years residential
- 8 years commercial
- Visit www.vandabaths.com for further information

SPECIFICATIONS



LUSSARI™ 50

D-Shaped Back to Wall Basin

MODELS:

No Tap Hole:

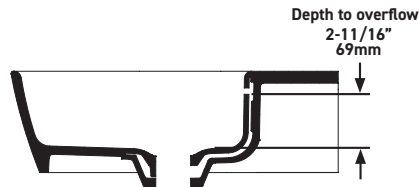
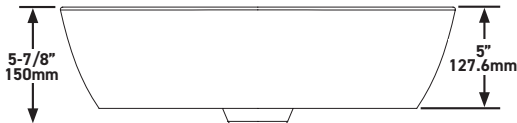
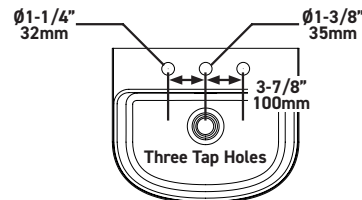
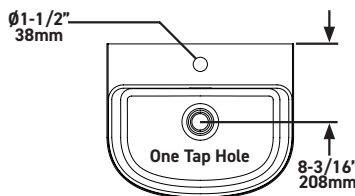
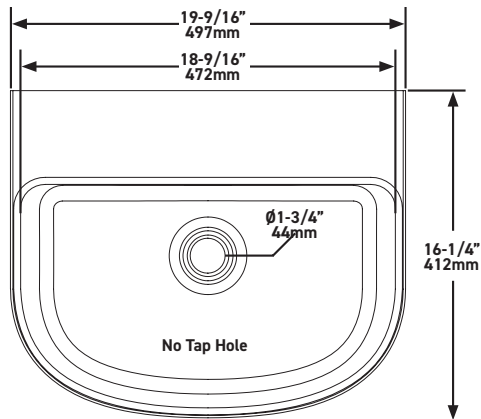
DB-LUS-N-SW-500-IO, DB-LUS-N-M-500-IO

One Tap Hole:

DB-LUS-1TH-SW-500-IO, DB-LUS-1TH-M-500-IO

Three Tap Holes:

DB-LUS-3TH-SW-500-IO, DB-LUS-3TH-M-500-IO



For care and cleaning, product warranty, and additional information contact:

US Customers

U.S.A.
houseofrohl.com/support
 1-800-777-9762

Canadian Customers

Quebec / Maritimes / Western Canada
 Québec / Maritimes / Ouest Canadien
 Quebec / Maritimos / Canada Occidental
houseofrohl.ca/support
 1-866-473-8442

EMEA Customers

www.houseofrohl.design
 +44 (0) 3338 000 011