

# Amalfi

AML-N-SW


 Premium

## Contemporary slipper bath

- Ultra contemporary freestanding design
- Supplied complete with integral plinth
- Made from QUARRYCAST®
  - One piece casting of rare volcanic limestone and resin
  - Harder and more durable than acrylic
- Easy clean high gloss finish
- Exterior can be painted
- 25 year guarantee

Shown with Tubo filler



### Bath:

- No tap holes
  - Suitable for freestanding or wall mounted taps - Recommended for use with optional Lido Grande freestanding tap stand - LID-N-LG
  - NB** Due to the design of the rim, this bath cannot be drilled for tap holes. See separate Lido tap stand sheet for further options

### Headrest:

- Custom Amalfi headrest - Black HR-AML-BK



### Recommended Waste:

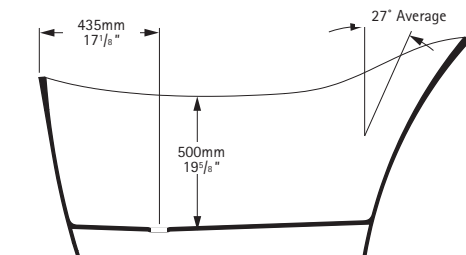
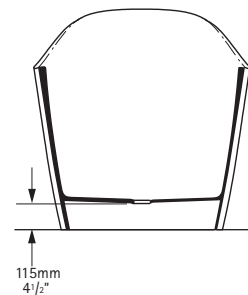
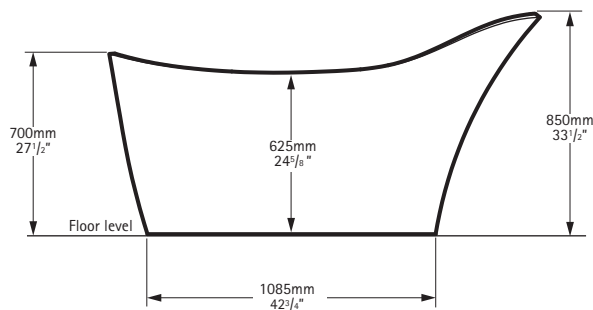
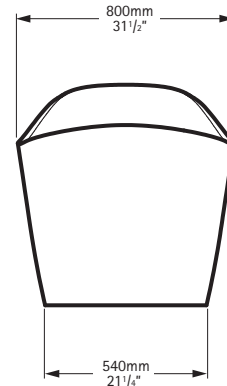
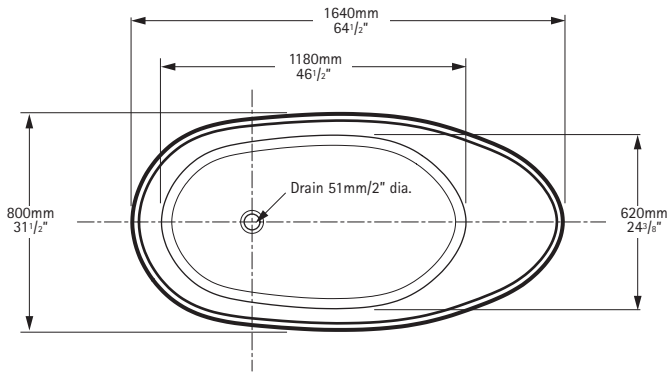
Non-overflow waste kit - captive plug fitting - KIT12C

**Note:** For product specifications please see over



# Amalfi AML-N-SW

## Contemporary slipper bath



### General specifications for Amalfi bath

<b>Installed size</b>	1640mm x 800mm x 625-850mm
<b>Weight</b>	68kg
<b>Weight with water</b>	308kg
<b>Litres to rim</b>	240 litres
<b>Bathing well at sump</b>	1180mm x 620mm
<b>Water depth to rim</b>	500mm

### Notes

Refer to installation instructions supplied with bath for additional information. Fittings (taps & drain assembly) not included and must be ordered separately.

### Important

Dimension of fixtures are nominal and may vary within the range of tolerances established by ANSI standard A112.19.4M.

These measurements are subject to change or cancellation.

No responsibility is assumed for use of superseded or void leaflet.