

Staffordshire STA-10

Fitting instructions

Notice d'installation

Instrucciones de montaje

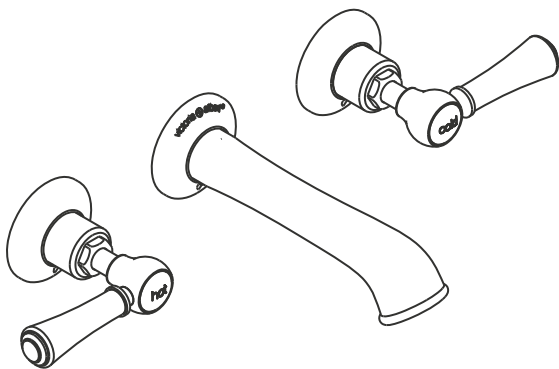
Montageanleitung

Istruzioni di montaggio

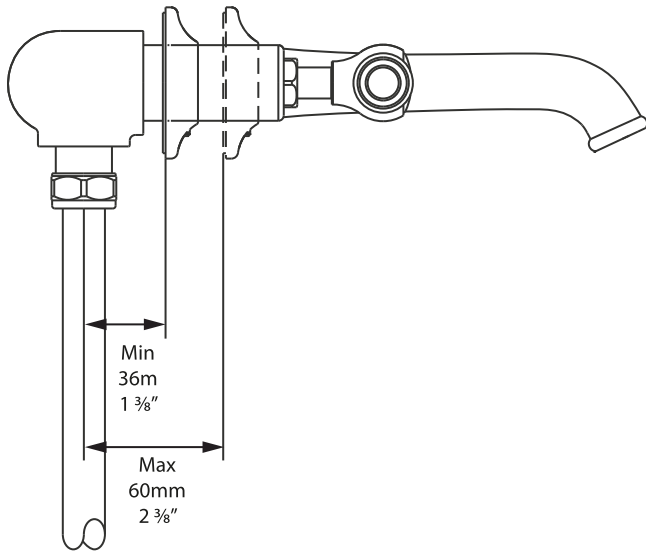
Montagehandleiding

Instrukcja montażu

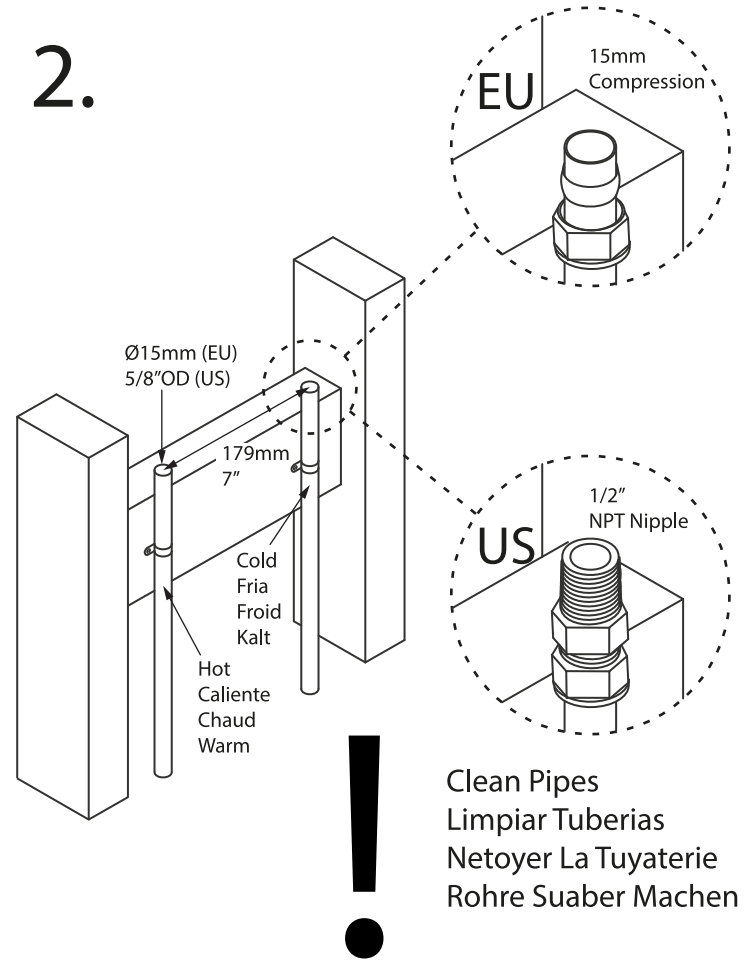
Указания по креплению



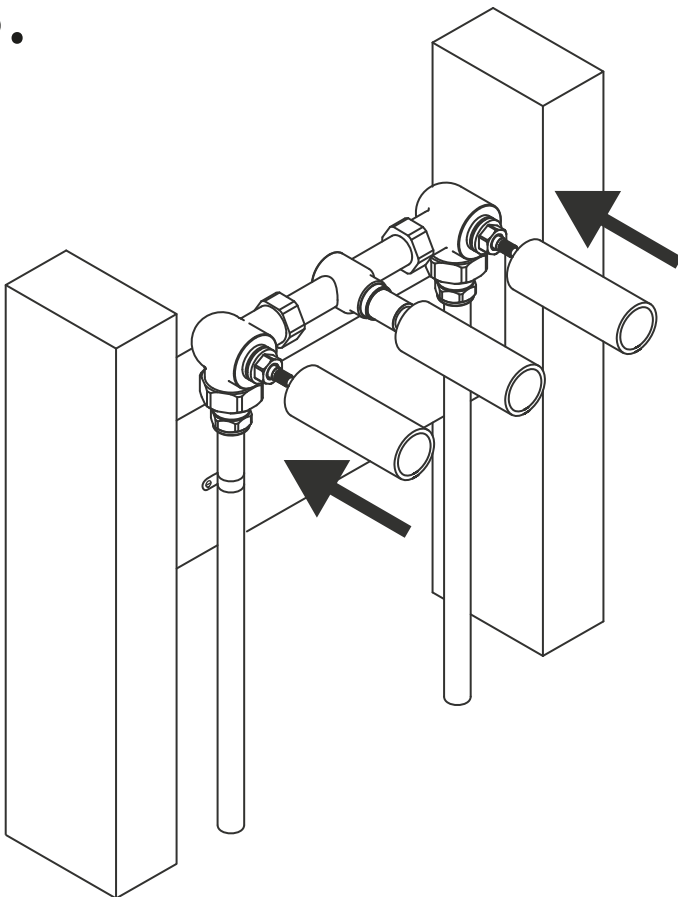
1.



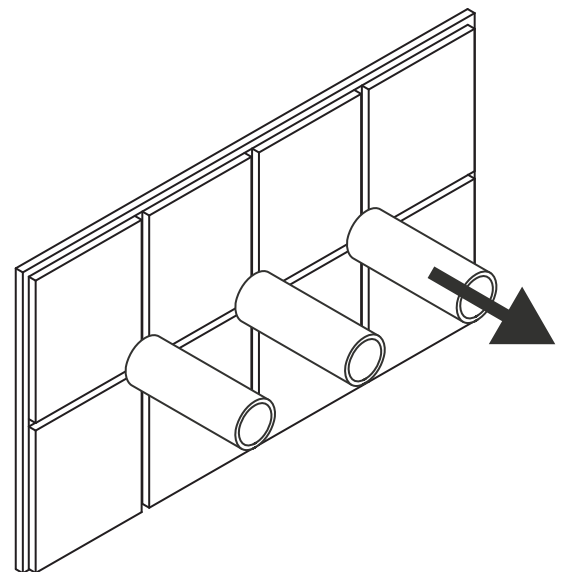
2.



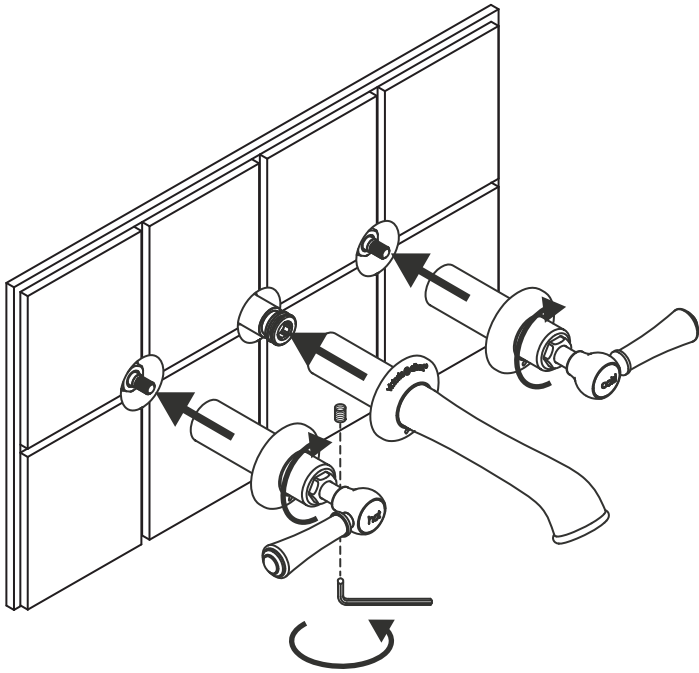
3.



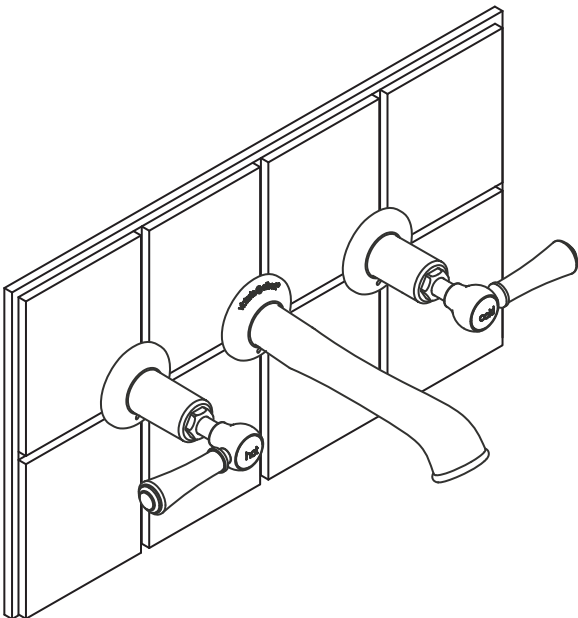
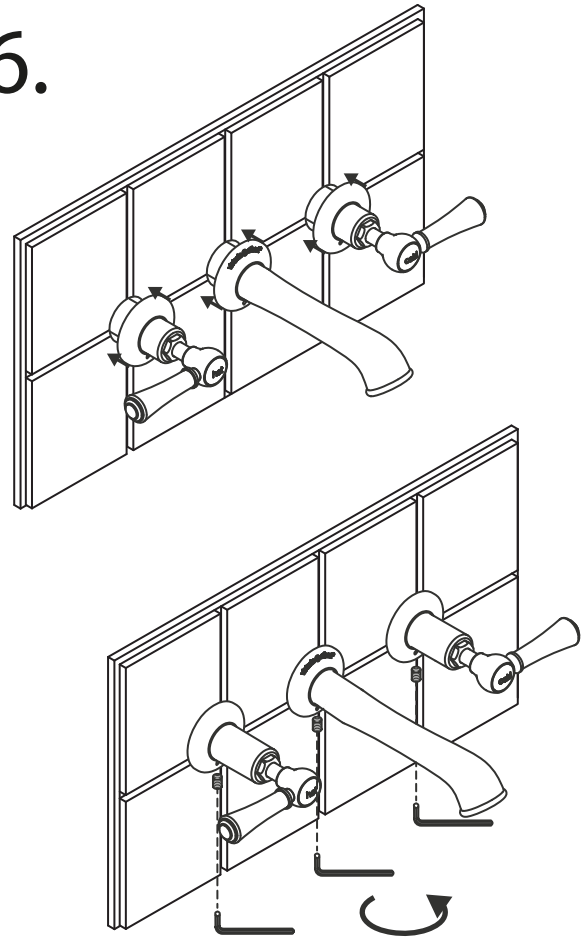
4.



5.



6.



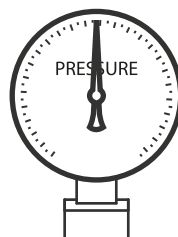
CHECK
COMPROBAR
VERIFER
ÜBERPRÜFEN



UK/EU

1 - 5 Bar

Max 6 L/min @ 3.0 Bar



US/CA

14.5 - 72.5 psi

Max 1.2 gpm @ 60 psi

- | | | |
|-----------------|------------------------|---------------------------|
| 1. Adapter | 8. Screw | 15. Adapter (EU Only) |
| 2. Flow Limiter | 9. O ring | 16. Check Valve (EU Only) |
| 3. Lever | 10. Aerator | 17. Circlip (EU Only) |
| 4. Wall Flange | 11. Spout | 18. Olive (EU Only) |
| 5. Wall Flange | 12. Wall Valve | 19. Nut (EU Only) |
| 6. Screw | 13. Washer | |
| 7. Screw | 14. 1/4 Turn Cartridge | |

