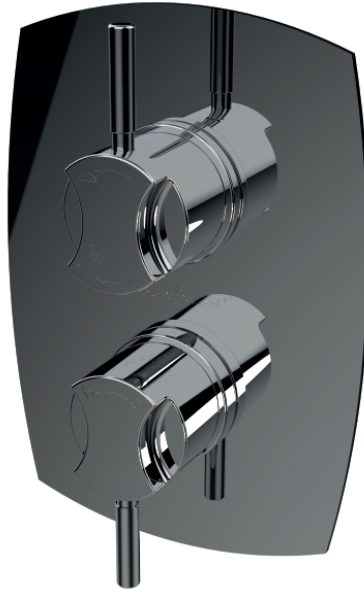


Tubo 31




 Wall trim for Hub 01

Tubo collection – purity of form and function; elegant brassware with a sleek aesthetic. Perfect for contemporary bathroom design. Made in England using traditional techniques.

- Recommended for combined use with two of the following: Tubo 41, Tubo 42 and Tubo 43
- 7.25psi minimum

Polished chrome (shown)

 Façade + 2 manettes pour corps thermostatique à encastrer Hub 01

Collection Tubo – pureté des formes et des fonctions; robinetterie élégante avec un design épuré. Parfaite pour des salles de bains au design contemporain. Fabriquée en Angleterre à l'aide de techniques traditionnelles.

- Recommandé pour un usage combiné avec Tubo 41, Tubo 42 et Tubo 43
- Minimum 7,25psi



Chrome poli (voir photo)

 Placa embellecedora con 2 manetas para válvula thermostatica Hub 01

Colección Tubo: pureza en la forma y función; grifería de estética elegante. Perfecta para un diseño de baño contemporáneo. Fabricada en Inglaterra a partir de técnicas tradicionales.

- Recomendado para un uso combinado con dos de los siguientes productos: Tubo 41, Tubo 42 y Tubo 43
- Mínimo 7,25psi

Cromado brillante (ver foto)

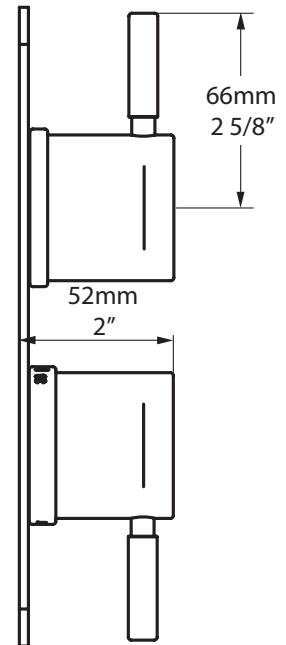
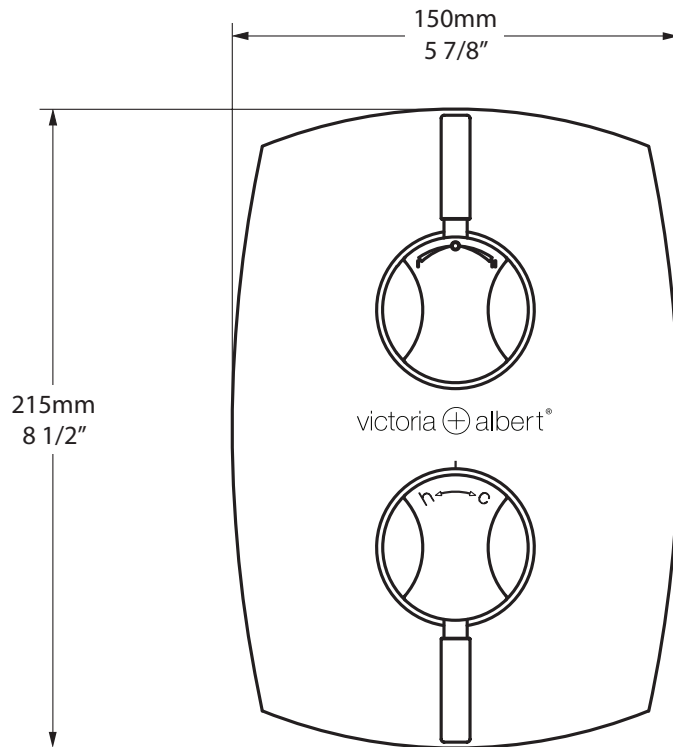
-  TU-31-PC Polished chrome, Chrome poli, Cromado brillante
-  TU-31-BN Brushed nickel, Nickel brossé, Niquel satinado

5 years



Massachusetts Code: File No. Pending
 cUPC listing (ASME & CSA) by IAPMO: File No. Pending
 Lead Free listing (Safe Drinking Water Act & California Health & Safety Code) by IAPMO: File No. Pending
 Drinking Water Listing (NSF 61) by IAPMO: File No. Pending
 CEC Appliance Efficiency Program: Pending
 Department of Energy Certificate: Pending
 ADA Compliant: Pending

Tubo 31 TU-31-**



Tubo 31

US 7.25psi minimum, 14.50psi recommended

FR Minimum 7,25psi, 14,50psi recommandée

ES Mínimo 7,25psi, 14.50psi recomendado

***All measurements subject to +/-5% tolerance**



.dwg | .dxf | .skp www.vandabaths.com



Massachusetts Code: File No. Pending
 cUPC listing (ASME & CSA) by IAPMO: File No. Pending
 Lead Free listing (Safe Drinking Water Act & California Health & Safety Code) by IAPMO: File No. Pending
 Drinking Water Listing (NSF 61) by IAPMO: File No. Pending
 CEC Appliance Efficiency Program: Pending
 Department of Energy Certificate: Pending
 ADA Compliant: Pending