

SHAPE

- Oval

SIZE

- Length: 1776 mm, Width: 766 mm, Height: 594 mm

MATERIAL

- QUARRYCAST™

DRAIN HOLE

- Centred

WEIGHT

- 93.1kg

CAPACITY

- 380L

INSTALLATION TYPE

- Freestanding

FINISH

- Gloss White, Matt White

DRAIN SET

- Drain kit required, sold separately
- Recommended wastes: K-12, K-17, K-36, K-40

STANDARDS

- CSA B45.5:22, IAPMO Z124-2022

WARRANTY

- 25 years residential
- 8 years commercial
- Visit www.vandabaths.com for further information

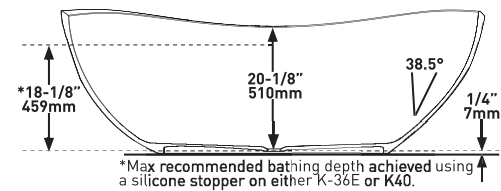
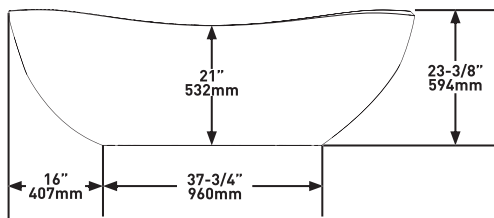
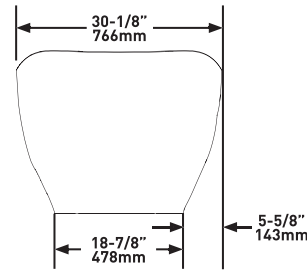
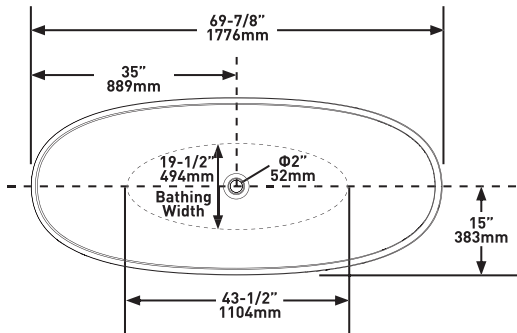
SPECIFICATIONS



SEROSTM 1800

Freestanding Bath

MODELS: SE2-N-SW-NO, SE2M-N-SM-NO



For care and cleaning, product warranty, and additional information contact:

U.S.A.
houseofrohl.com/support
 1-800-777-9762

Canadian Customers
 Quebec / Maritimes / Western Canada
 Québec / Maritimes / Ouest Canadien
 Quebec / Maritimos / Canada Occidental
 1-800-777-9762

EMEA Customers
vandabaths.com
 +44 (0) 1952 221 100

FORME

- Ovale

DIMENSIONS

- Longueur: 1776 mm, Largeur: 766 mm, Hauteur: 594 mm

MATÉRIAU

- QUARRYCAST™

ORIFICE D'ÉVACUATION

- Centrée

POIDS

- 93.1kg

CAPACITÉ

- 380L

TYPE D'INSTALLATION

- En îlot

FINITION

- Blanc mat (SM) ou blanc laqué (SW)

ASSEMBLAGE DE DRAIN

- Kit d'évacuation requis, vendu séparément
- Vidages recommandés: K-12, K-17, K-36, K-40

CERTIFICATIONS

- CSA B45.5:22, IAPMO Z124-2022

WARRANTY

- 25 années en utilisation domestique
- 8 années en utilisation professionnelle
- Pour davantage d'informations, rendez-vous sur vandabaths.com

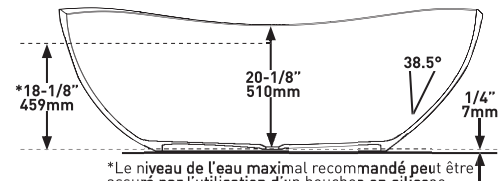
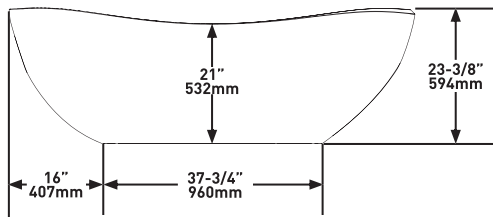
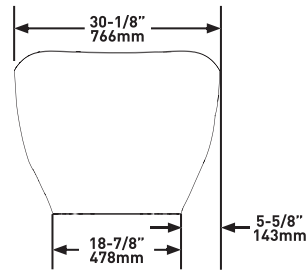
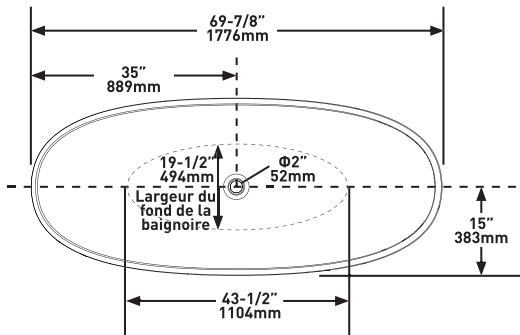
SPÉCIFICATIONS



SEROSTM 1800

Baignoire îlot

MODÈLES: SE2-N-SW-NO, SE2M-N-SM-NO



*Le niveau de l'eau maximal recommandé peut être assuré par l'utilisation d'un bouchon en silicone avec les bondes K-36E ou K40.

For care and cleaning, product warranty, and additional information contact:

U.S.A.
houseofrohl.com/support
1-800-777-9762

Canadian Customers
Quebec / Maritimes / Western Canada
Québec / Maritimes / Ouest Canadien
Quebec / Maritimos / Canada Occidental
1-800-777-9762

EMEA Customers
vandabaths.com
+44 (0) 1952 221 100

FORM

- Oval

GRÖSSE

- Länge: 1776 mm, Breite: 766 mm, Höhe: 594 mm

MATERIAL

- QUARRYCAST™

ABFLUSSLOCH

- Zentriert

GEWICHT

- 93.1kg

KAPAZITÄT

- 380L

INSTALLATIONSART

- Freistehend

OBERFLÄCHE

- Wannenoberfläche in Mattweiß (SM) oder Glanzweiß (SW)

ABFLUSSSET

- Abflussgarnitur erforderlich, separat erhältlich
- Empfohlene Ablaufventile: K-12, K-17, K-36, K-40

ZERTIFIZIERUNGEN

- CSA B45.5:22, IAPMO Z124-2022

GARANTIE

- 25 Jahre private Nutzung
- 8 Jahre gewerbliche Nutzung
- Weitere Informationen unter vandabaths.com

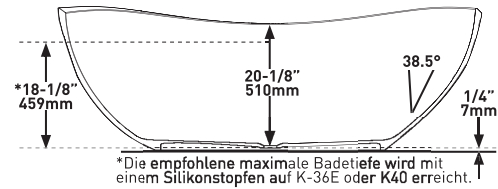
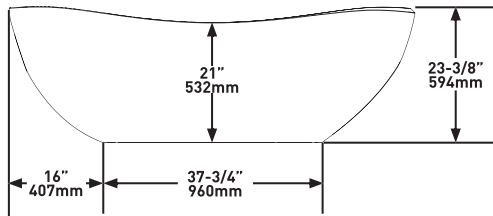
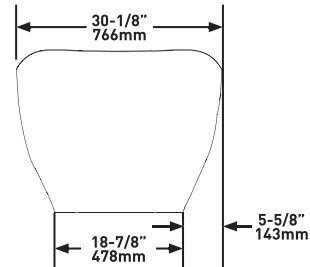
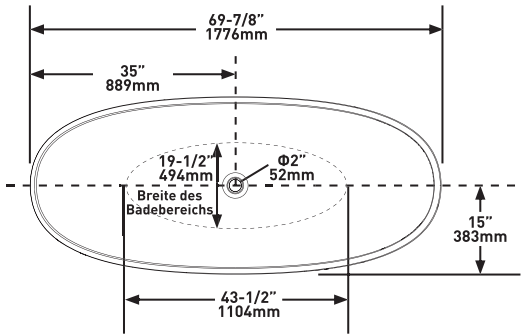
TECHNISCHES DATENBLATT



SEROSTM 1800

Freistehende Badewanne

MODELLE: SE2-N-SW-NO, SE2M-N-SM-NO



For care and cleaning, product warranty, and additional information contact:

U.S.A.
houseofrohl.com/support
1-800-777-9762

Canadian Customers
Quebec / Maritimes / Western Canada
Québec / Maritimes / Ouest Canadien
Quebec / Maritimos / Canada Occidental
1-800-777-9762

EMEA Customers
vandabaths.com
+44 (0) 1952 221 100

FORMA

- Ovale

DIMENSIONI

- Lunghezza: 1776 mm, Larghezza: 766 mm, Altezza: 594 mm

MATERIALE

- QUARRYCAST™

FORO DI SCARICO

- Centrato

PESO

- 93.1kg

CAPACITÀ

- 380L

TIPO DI INSTALLAZIONE

- Freestanding

FINITURA

- Bianco opaco (SM) o bianco lucido (SW)

SET DI SCARICO

- Kit per scarico necessario, venduto separatamente
- Scarichi raccomandati: K-12, K-17, K-36, K-40

STANDARD

- CSA B45.5:22, IAPMO Z124-2022

GARANZIA

- 25 anni residenziale
- 8 anni commerciale
- Per maggiori informazioni visita vandabaths.com

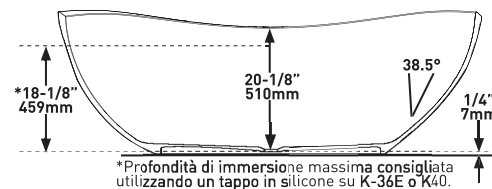
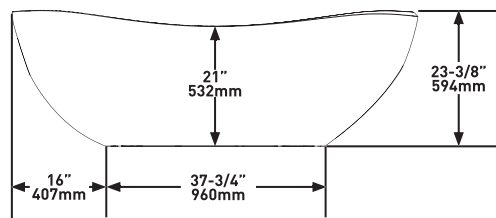
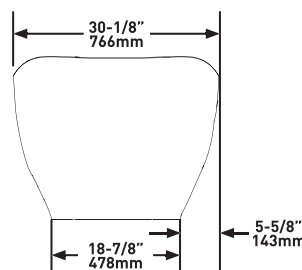
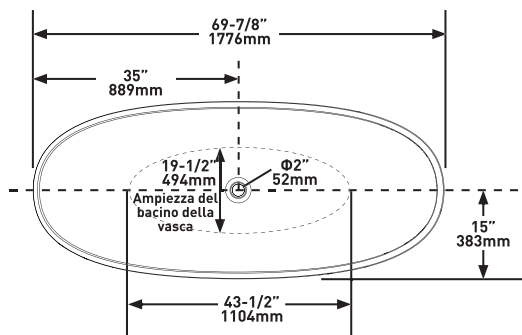
SPECIFICHE TECNICHE



SEROSTM 1800

Vasca da bagno a libera installazione

MODELLI: SE2-N-SW-NO, SE2M-N-SM-NO



For care and cleaning, product warranty, and additional information contact:

U.S.A.
houseofrohl.com/support
1-800-777-9762

Canadian Customers
Quebec / Maritimes / Western Canada
Québec / Maritimes / Ouest Canadien
Quebec / Maritimos / Canada Occidental
1-800-777-9762

EMEA Customers
vandabaths.com
+44 (0) 1952 221 100

FORMA

- Ovalado

TAMAÑO

- Largo: 1776 mm, Ancho: 766 mm, Alto: 594 mm

MATERIAL

- QUARRYCAST™

AGUJERO DEL DESAGÜE

- Centrado

PESO

- 93.1kg

CAPACIDAD

- 380L

TIPO DE INSTALACIÓN

- Independiente

ACABADO

- Blanco mate (SM) o blanco brillante (SW)

JUEGO DE DESAGÜE

- Requiere kit de desagüe que se vende por separado
- Desagües recomendados: K-12, K-17, K-36, K-40

ESTÁNDARES

- CSA B45.5:22, IAPMO Z124-2022

GARANTÍA

- 25 años para un uso residencial
- 8 años para un uso comercial
- Para más información, visite vandabaths.com

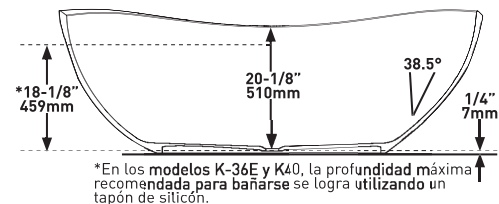
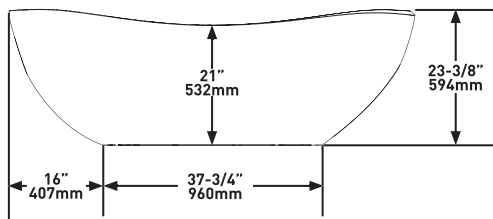
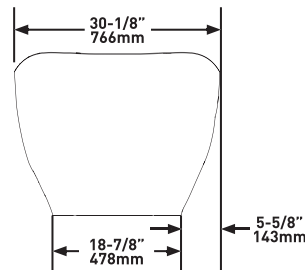
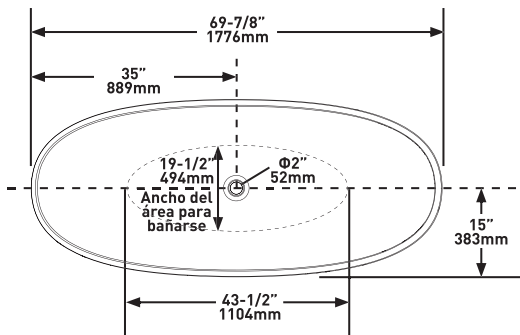
ESPECIFICACIONES



SEROST™ 1800

Bañera exenta

MODELOS: SE2-N-SW-NO, SE2M-N-SM-NO



*En los modelos K-36E y K40, la profundidad máxima recomendada para bañarse se logra utilizando un tapón de silicona.

For care and cleaning, product warranty, and additional information contact:

U.S.A.
houseofrohl.com/support
1-800-777-9762

Canadian Customers
Quebec / Maritimes / Western Canada
Québec / Maritimes / Ouest Canadien
Quebec / Maritimos / Canada Occidental
1-800-777-9762

EMEA Customers
vandabaths.com
+44 (0) 1952 221 100

VORM

- Ovaal

FORMAAT

- Lengte: 1776 mm, Breedte: 766 mm, Hoogte: 594 mm

MATERIAAL

- QUARRYCAST™

AFVOEROPENING

- Gecentreerd

GEWICHT

- 93.1kg

CAPACITEIT

- 380L

SOORT INSTALLATIE

- Vrijstaand

AFWERKING

- Mat wit (SM) of glanzend wit (SW)

AFVOERSET

- Afvoerset vereist, apart verkrijgbaar
- Aanbevolen afvoer: K-12, K-17, K-36, K-40

CERTIFICERING

- CSA B45.5:22, IAPMO Z124-2022

GARANTIE

- 25 jaar residentieel
- 8 jaar commercieel
- Voor meer informatie, bezoek vandabaths.com

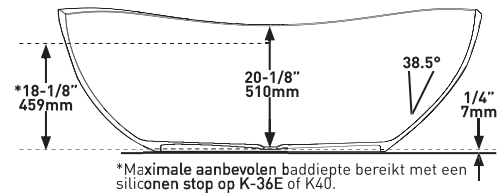
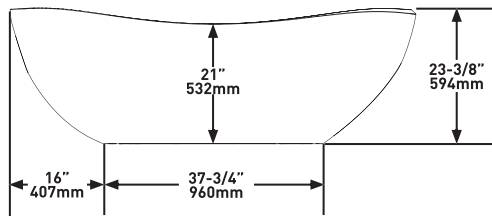
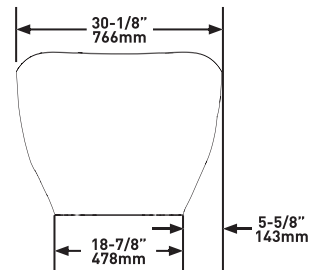
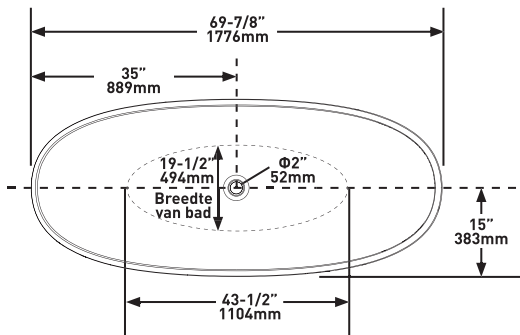
SPECIFICATIES



SEROSTM 1800

Vrijstaand bad

MODELLEN: SE2-N-SW-NO, SE2M-N-SM-NO



For care and cleaning, product warranty, and additional information contact:

U.S.A.
houseofrohl.com/support
1-800-777-9762

Canadian Customers
Quebec / Maritimes / Western Canada
Québec / Maritimes / Ouest Canadien
Quebec / Maritimos / Canada Occidental
1-800-777-9762

EMEA Customers
vandabaths.com
+44 (0) 1952 221 100