

**SHAPE**

- Oval

**SIZE**

- Length: 1647 mm, Width: 763 mm, Height: 599 mm

**MATERIAL**

- QUARRYCAST™

**DRAIN HOLE**

- Centred

**WEIGHT**

- 86.3kg

**CAPACITY**

- 348L

**INSTALLATION TYPE**

- Freestanding

**FINISH**

- Gloss White, Matt White

**DRAIN SET**

- Drain kit required, sold separately
- Recommended wastes: K-12, K-17, K-36, K-40

**STANDARDS**

- CSA B45.5:22, IAPMO Z124-2022

**WARRANTY**

- 25 years residential
- 8 years commercial
- Visit [www.vandabaths.com](http://www.vandabaths.com) for further information

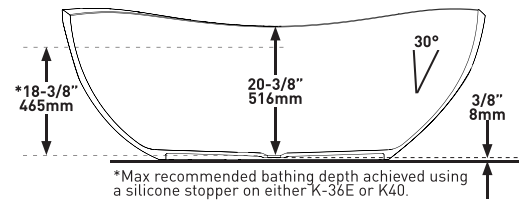
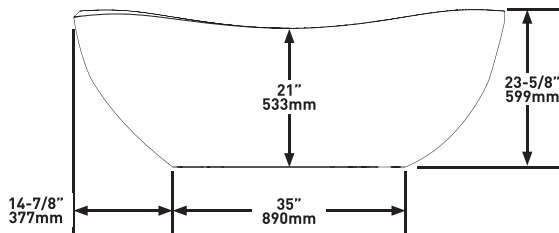
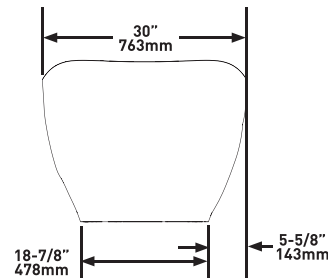
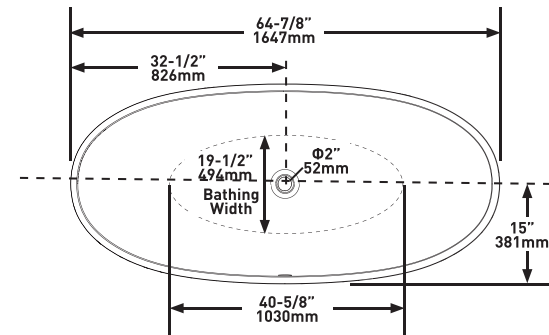
# SPECIFICATIONS



## SEROSTM 1650

Freestanding Bath

MODELS: SE1-N-SW-NO, SE1M-N-SM-NO



For care and cleaning, product warranty, and additional information contact:

**U.S.A.**  
[houseofrohl.com/support](http://houseofrohl.com/support)  
 1-800-777-9762

**Canadian Customers**  
 Quebec / Maritimes / Western Canada  
 Québec / Maritimes / Ouest Canadien  
 Quebec / Maritimos / Canada Occidental  
 1-800-777-9762

**EMEA Customers**  
[vandabaths.com](http://vandabaths.com)  
 +44 (0) 1952 221 100

**FORME**

- Ovale

**DIMENSIONS**

- Longueur: 1647 mm, Largeur: 763 mm, Hauteur: 599 mm

**MATÉRIAU**

- QUARRYCAST™

**ORIFICE D'ÉVACUATION**

- Centrée

**POIDS**

- 86.3kg

**CAPACITÉ**

- 348L

**TYPE D'INSTALLATION**

- En îlot

**FINITION**

- Blanc mat (SM) ou blanc laqué (SW)

**ASSEMBLAGE DE DRAIN**

- Kit d'évacuation requis, vendu séparément
- Vidages recommandés: K-12, K-17, K-36, K-40

**CERTIFICATIONS**

- CSA B45.5:22, IAPMO Z124-2022

**WARRANTY**

- 25 années en utilisation domestique
- 8 années en utilisation professionnelle
- Pour davantage d'informations, rendez-vous sur vandabaths.com

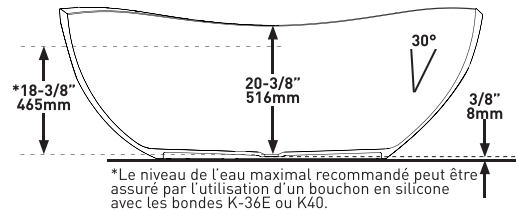
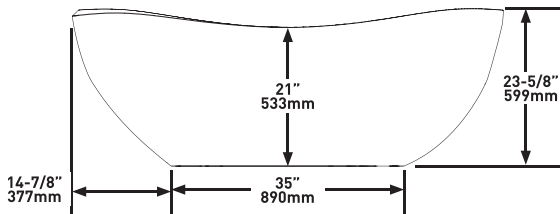
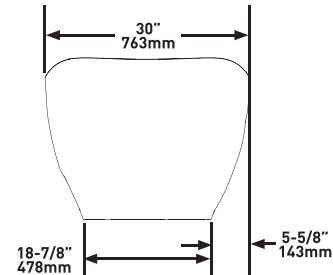
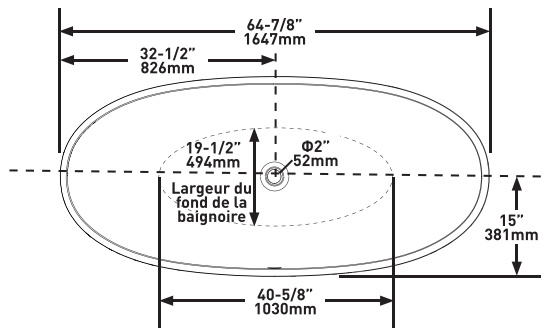
# SPÉCIFICATIONS



## SEROST™ 1650

Baignoire îlot

**MODÈLES:** SE1-N-SW-NO, SE1M-N-SM-NO



For care and cleaning, product warranty, and additional information contact:

**U.S.A.**  
houseofrohl.com/support  
1-800-777-9762

**Canadian Customers**  
Quebec / Maritimes / Western Canada  
Québec / Maritimes / Ouest Canadien  
Quebec / Maritimos / Canada Occidental  
1-800-777-9762

**EMEA Customers**  
vandabaths.com  
+44 (0) 1952 221 100

**FORM**

- Oval

**GRÖSSE**

- Länge: 1647 mm, Breite: 763 mm, Höhe: 599 mm

**MATERIAL**

- QUARRYCAST™

**ABFLUSSLOCH**

- Zentriert

**GEWICHT**

- 86.3kg

**KAPAZITÄT**

- 348L

**INSTALLATIONSART**

- Freistehend

**OBERFLÄCHE**

- Wannenoberfläche in Mattweiß (SM) oder Glanzweiß (SW)

**ABFLUSSSET**

- Abflussgarnitur erforderlich, separat erhältlich
- Empfohlene Ablaufventile: K-22, K-25, K-28

**ZERTIFIZIERUNGEN**

- CSA B45.5:22, IAPMO Z124-2022

**GARANTIE**

- 25 Jahre private Nutzung
- 8 Jahre gewerbliche Nutzung
- Weitere Informationen unter vandabaths.com

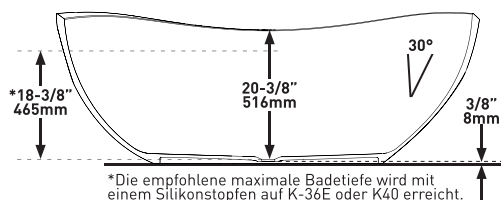
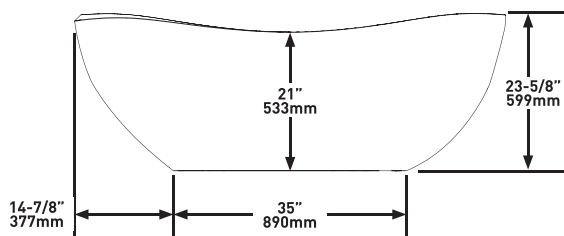
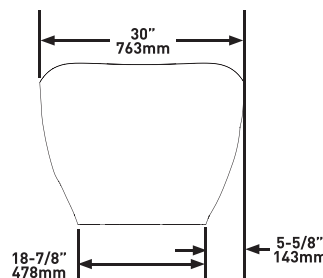
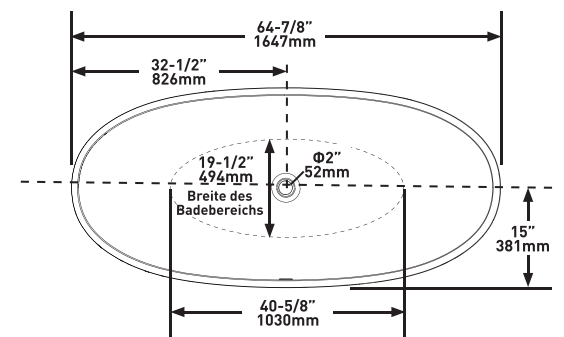
# TECHNISCHES DATENBLATT



## SEROSTM 1650

Freistehende Badewanne

MODELLE: SE1-N-SW-NO, SE1M-N-SM-NO



For care and cleaning, product warranty, and additional information contact:

**U.S.A.**  
houseofrohl.com/support  
1-800-777-9762

**Canadian Customers**  
Quebec / Maritimes / Western Canada  
Québec / Maritimes / Ouest Canadien  
Quebec / Maritimos / Canada Occidental  
1-800-777-9762

**EMEA Customers**  
vandabaths.com  
+44 (0) 1952 221 100

**FORMA**

- Ovale

**DIMENSIONI**

- Lunghezza: 1647 mm, Larghezza: 763 mm, Altezza: 599 mm

**MATERIALE**

- QUARRYCAST™

**FORO DI SCARICO**

- Centrato

**PESO**

- 86.3kg

**CAPACITÀ**

- 348L

**TIPO DI INSTALLAZIONE**

- Freestanding

**FINITURA**

- Bianco opaco (SM) o bianco lucido (SW)

**SET DI SCARICO**

- Kit per scarico necessario, venduto separatamente
- Scarichi raccomandati: K-12, K-17, K-36, K-40

**STANDARD**

- CSA B45.5:22, IAPMO Z124-2022

**GARANZIA**

- 25 anni residenziale
- 8 anni commerciale
- Per maggiori informazioni visita [vandabaths.com](http://vandabaths.com)

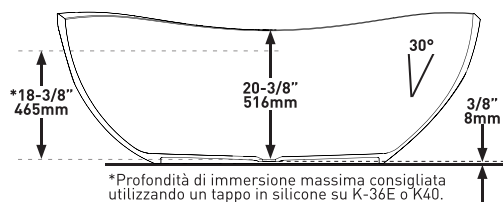
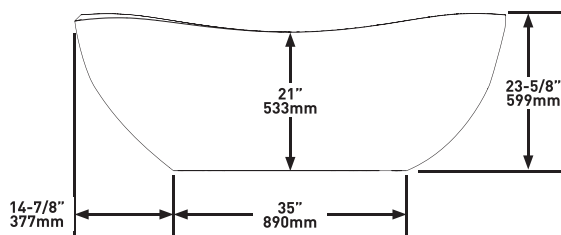
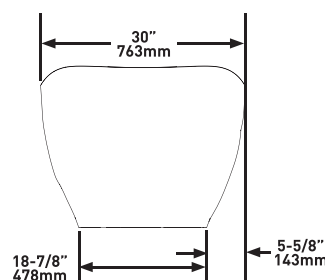
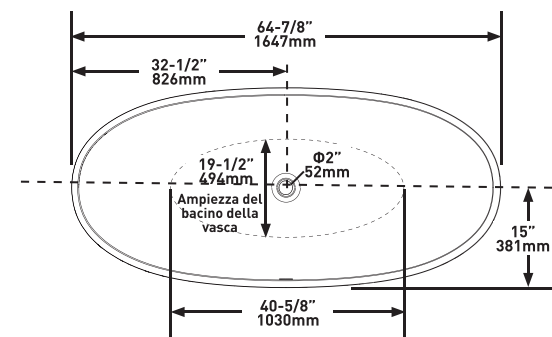
# SPECIFICHE TECNICHE



## SEROS™ 1650

Vasca da bagno a libera installazione

**MODELLI:** SE1-N-SW-NO, SE1M-N-SM-NO



For care and cleaning, product warranty, and additional information contact:

**U.S.A.**  
[houseofrohl.com/support](http://houseofrohl.com/support)  
 1-800-777-9762

**Canadian Customers**  
 Quebec / Maritimes / Western Canada  
 Québec / Maritimes / Ouest Canadien  
 Quebec / Maritimos / Canada Occidental  
 1-800-777-9762

**EMEA Customers**  
[vandabaths.com](http://vandabaths.com)  
 +44 (0) 1952 221 100

**FORMA**

- Ovalado

**TAMAÑO**

- Largo: 1647 mm, Ancho: 763 mm, Alto: 599 mm

**MATERIAL**

- QUARRYCAST™

**AGUJERO DEL DESAGÜE**

- Centrado

**PESO**

- 86.3kg

**CAPACIDAD**

- 348L

**TIPO DE INSTALACIÓN**

- En ílot

**ACABADO**

- Blanco mate (SM) o blanco brillante (SW)

**JUEGO DE DESAGÜE**

- Requiere kit de desagüe que se vende por separado
- Desagües recomendados: K-12, K-17, K-36, K-40

**ESTÁNDARES**

- CSA B45.5:22, IAPMO Z124-2022

**GARANTÍA**

- 25 años para un uso residencial
- 8 años para un uso comercial
- Para más información, visite vandabaths.com

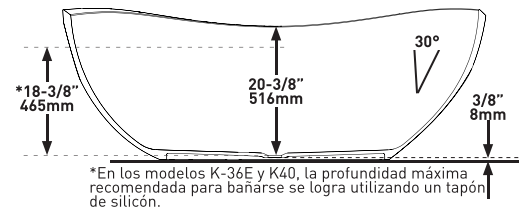
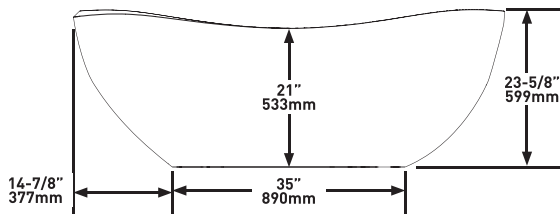
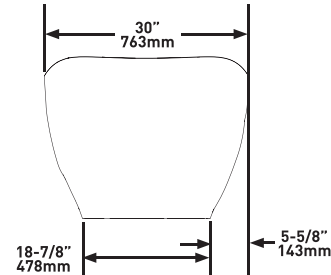
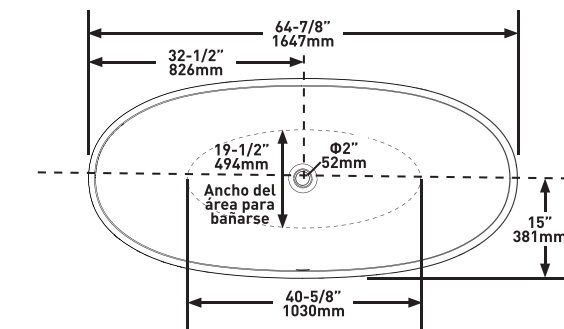
# ESPECIFICACIONES



## SEROSTM 1650

Bañera exenta

MODELOS: SE1-N-SW-NO, SE1M-N-SM-NO



For care and cleaning, product warranty, and additional information contact:

**U.S.A.**  
houseofrohl.com/support  
1-800-777-9762

**Canadian Customers**  
Quebec / Maritimes / Western Canada  
Québec / Maritimes / Ouest Canadien  
Quebec / Maritimos / Canada Occidental  
1-800-777-9762

**EMEA Customers**  
vandabaths.com  
+44 (0) 1952 221 100

**VORM**

- Ovaal

**FORMAAT**

- Lengte: 1647 mm, Breedte: 763 mm, Hoogte: 599 mm

**MATERIAAL**

- QUARRYCAST™

**AFVOEROPENING**

- Gecentreerd

**GEWICHT**

- 86.3kg

**CAPACITEIT**

- 348L

**SOORT INSTALLATIE**

- Vrijstaand

**AFWERKING**

- Mat wit (SM) of glanzend wit (SW)

**AFVOERSET**

- Afvoerset vereist, apart verkrijgbaar
- Aanbevolen afvoer: K-12, K-17, K-36, K-40

**CERTIFICERING**

- CSA B45.5:22, IAPMO Z124-2022

**GARANTIE**

- 25 jaar residentieel
- 8 jaar commercieel
- Voor meer informatie, bezoek vandabaths.com

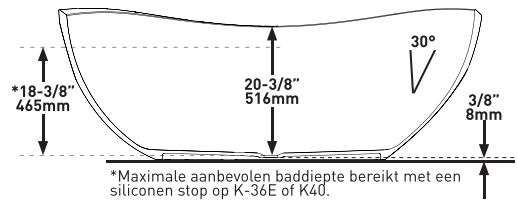
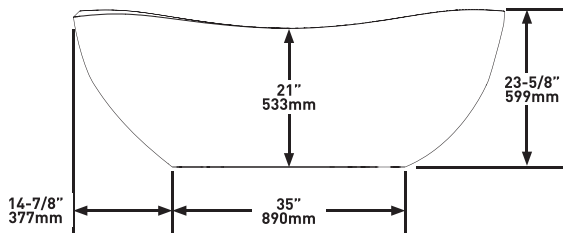
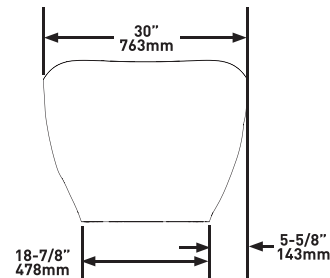
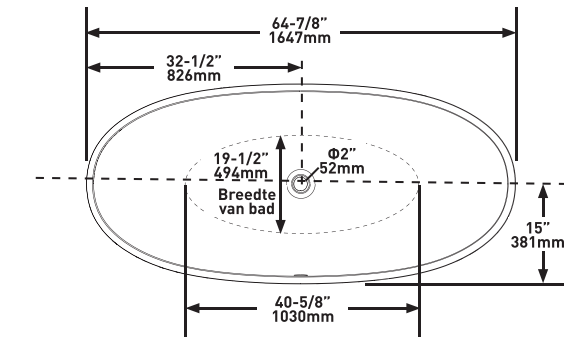
# SPECIFICATIES



## SEROSTM 1650

Vrijstaand bad

MODELLEN: SE1-N-SW-NO, SE1M-N-SM-NO



For care and cleaning, product warranty, and additional information contact:

**U.S.A.**  
houseofrohl.com/support  
1-800-777-9762

**Canadian Customers**  
Quebec / Maritimes / Western Canada  
Québec / Maritimes / Ouest Canadien  
Quebec / Maritimos / Canada Occidental  
1-800-777-9762

**EMEA Customers**  
vandabaths.com  
+44 (0) 1952 221 100