

SHAPE

- Oval

SIZE

- Length: 490 mm, Width: 401 mm, Height: 900 mm

MATERIAL

- QUARRYCAST™

WEIGHT

- 20.6kg

INSTALLATION TYPE

- Freestanding

FINISH

- Gloss White, Matt White

DRAIN

- Hidden freeflow drain

WARRANTY

- 25 years residential
- 8 years commercial
- Visit www.vandabaths.com for further information

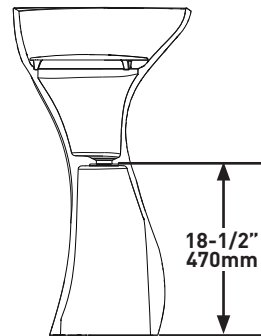
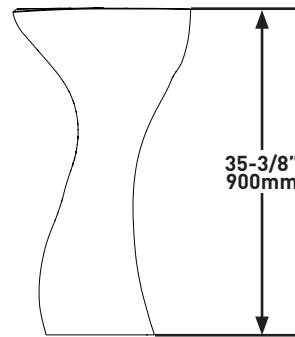
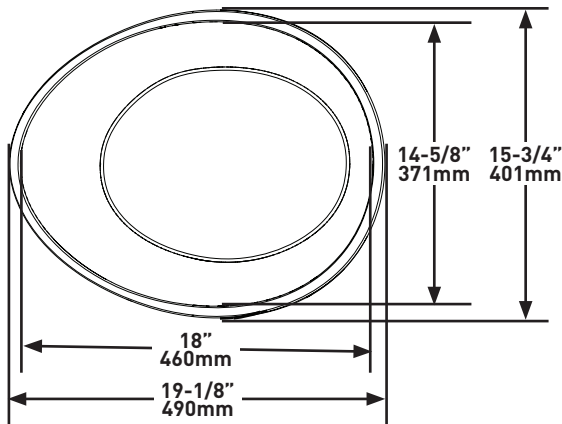
SPECIFICATIONS



SEROSTM49

Freestanding Podium Basin

MODELS: FS-SER-49-NO,
FS-SER49M-SM-NO



For care and cleaning, product warranty, and additional information contact:

US Customers

U.S.A.
houseofrohl.com/support
1-800-777-9762

Canadian Customers

QUEBEC / MARITIMES / WESTERN CANADA
QUÉBEC / MARITIMES / OUEST CANADIEN
QUEBEC / MARITIMOS / CANADA OCCIDENTAL
houseofrohl.ca/support
1-866-473-8442

ONTARIO
houseofrohl.ca/support
1-800-287-5354

EMEA Customers

vandabaths.com
+44 (0) 1952 221 100

FORME

- Ovale

DIMENSIONS

- Longueur: 490 mm, Largeur: 401 mm, Hauteur: 900 mm

MATÉRIAU

- QUARRYCAST™

POIDS

- 20.6kg

TYPE D'INSTALLATION

- Autoportante

FINITION

- Blanc mat (SM) ou blanc brillant (SW)

ÉVACUATION

- Évacuation à écoulement libre invisible

WARRANTY

- 25 années en utilisation domestique
- 8 années en utilisation professionnelle
- Pour davantage d'informations, rendez-vous sur vandabaths.com

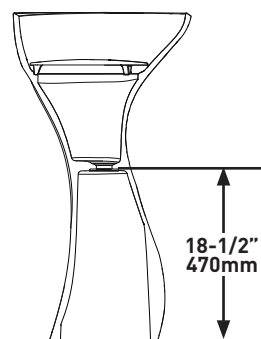
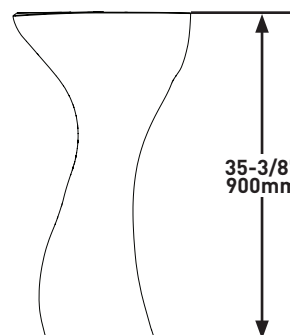
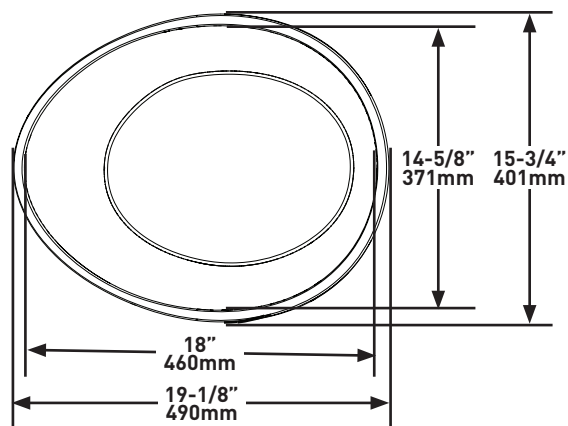
SPÉCIFICATIONS



SEROST™49

Lavabo autoportant

MODÈLES : FS-SER-49-NO,
FS-SER49M-SM-NO



For care and cleaning, product warranty, and additional information contact:

US Customers

U.S.A.
houseofrohl.com/support
1-800-777-9762

Canadian Customers

QUEBEC / MARITIMES / WESTERN CANADA
QUÉBEC / MARITIMES / OUEST CANADIEN
QUEBEC / MARITIMOS / CANADA OCCIDENTAL
houseofrohl.ca/support
1-866-473-8442

ONTARIO
houseofrohl.ca/support
1-800-287-5354

EMEA Customers

vandabaths.com
+44 (0) 1952 221 100

TECHNISCHES DATENBLATT

FORM

- Oval

GRÖSSE

- Länge: 490 mm, Breite: 401 mm, Höhe: 900 mm

MATERIAL

- QUARRYCAST™

GEWICHT

- 20.6kg

INSTALLATIONSART

- Freistehend

OBERFLÄCHE

- Oberfläche in Mattweiß (SM) oder Glanzweiß (SW)

ABFLUSS

- Verdeckter Ablauf

GARANTIE

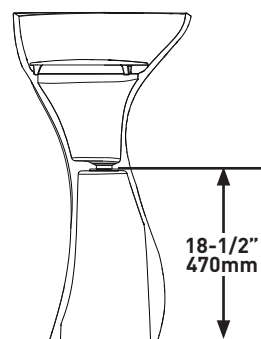
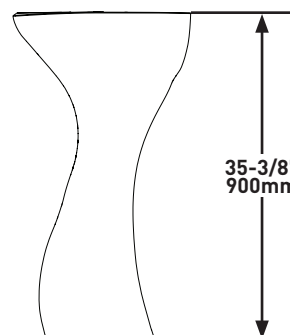
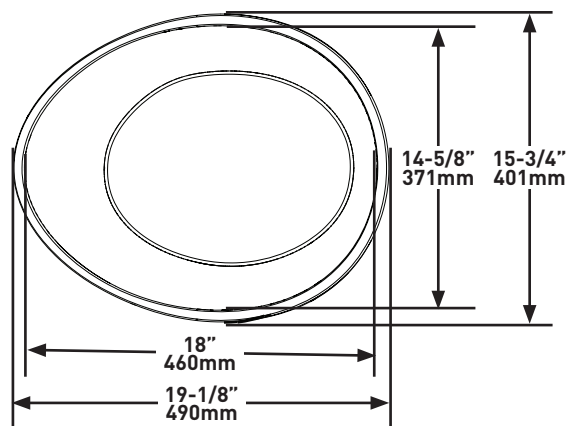
- 25 Jahre private Nutzung
- 8 Jahre gewerbliche Nutzung
- Weitere Informationen unter vandabaths.com



SEROSTM49

Freistehendes Becken

MODELLE: FS-SER-49-NO
FS-SER49M-SM-NO



For care and cleaning, product warranty, and additional information contact:

US Customers

U.S.A.
houseofrohl.com/support
1-800-777-9762

Canadian Customers

QUEBEC / MARITIMES / WESTERN CANADA
QUÉBEC / MARITIMES / OUEST CANADIEN
QUEBEC / MARITIMOS / CANADA OCCIDENTAL
houseofrohl.ca/support

EMEA Customers

vandabaths.com
+44 (0) 1952 221 100

FORMA

- Ovale

DIMENSIONI

- Lunghezza: 490 mm, Larghezza: 401 mm, Altezza: 900 mm

MATERIALE

- QUARRYCAST™

PESO

- 20.6kg

TIPO DI INSTALLAZIONE

- Freestanding

FINITURA

- Bianco opaco (SM) o bianco lucido (SW)

SCARICO

- Scarico a flusso libero nascosto

GARANZIA

- 25 anni residenziale
- 8 anni commerciale
- Per maggiori informazioni visita vandabaths.com

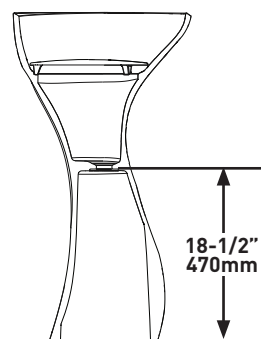
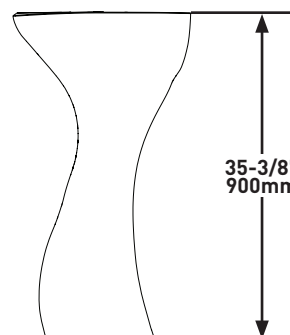
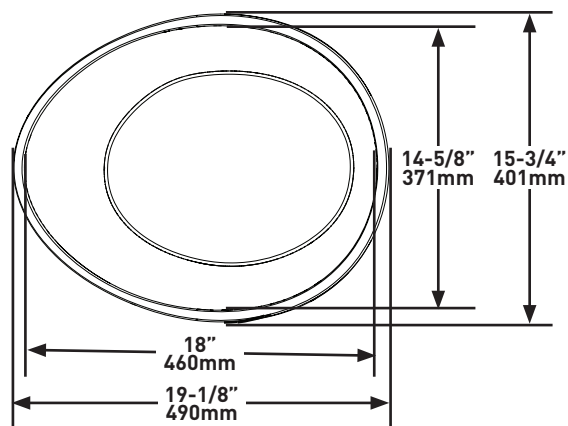
SPECIFICHE TECNICHE



SEROST™49

Lavabo da appoggio freestanding

MODELLI: FS-SER-49-NO,
FS-SER49M-SM-NO



For care and cleaning, product warranty, and additional information contact:

US Customers

U.S.A.
houseofrohl.com/support
1-800-777-9762

Canadian Customers

QUEBEC / MARITIMES / WESTERN CANADA
QUÉBEC / MARITIMES / OUEST CANADIEN
QUEBEC / MARITIMOS / CANADA OCCIDENTAL
houseofrohl.ca/support

ONTARIO
houseofrohl.ca/support
1-800-287-5354

EMEA Customers

vandabaths.com
+44 (0) 1952 221 100

ESPECIFICACIONES

FORMA

- Ovalado

TAMAÑO

- Largo: 490 mm, Ancho: 401 mm, Alto: 900 mm

MATERIAL

- QUARRYCAST™

PESO

- 20.6kg

TIPO DE INSTALACIÓN

- Independiente

ACABADO

- Blanco mate (SM) o blanco brillante (SW)

DESAGÜE

- Desagüe de flujo libre oculto

GARANTÍA

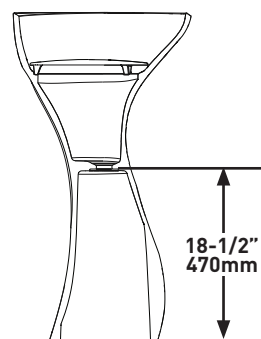
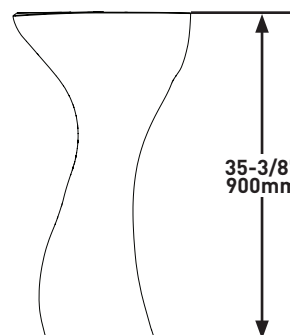
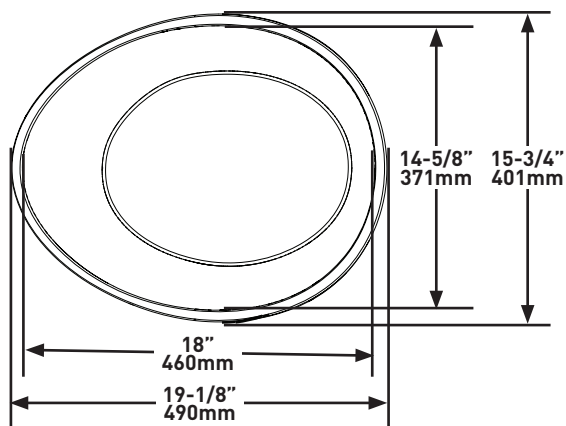
- 25 años para un uso residencial
- 8 años para un uso comercial
- Para más información, visite vandabaths.com



SEROST™49

Lavabo de pie

MODELOS: FS-SER-49-NO,
FS-SER49M-SM-NO



For care and cleaning, product warranty, and additional information contact:

US Customers

U.S.A.
houseofrohl.com/support
1-800-777-9762

Canadian Customers

QUEBEC / MARITIMES / WESTERN CANADA
QUÉBEC / MARITIMES / OUEST CANADIEN
QUEBEC / MARITIMOS / CANADA OCCIDENTAL
houseofrohl.ca/support

EMEA Customers

vandabaths.com
+44 (0) 1952 221 100

VORM

- Ovaal

FORMAAT

- Lengte: 490 mm, Breedte: 401 mm, Hoogte: 900 mm

MATERIAAL

- QUARRYCAST™

GEWICHT

- 20.6kg

SOORT INSTALLATIE

- Vrijstaand

AFWERKING

- Mat wit (SM) of glanzend wit (SW)

AFVOER

- Verborgen vrijstromende afvoer

GARANTIE

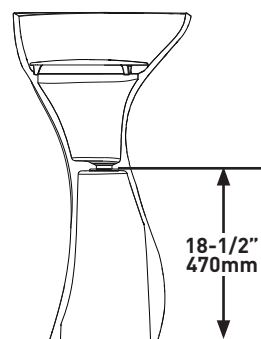
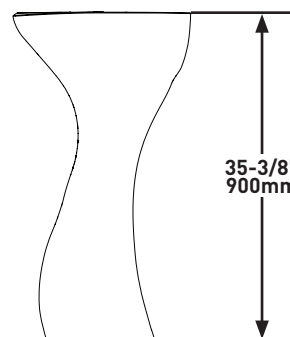
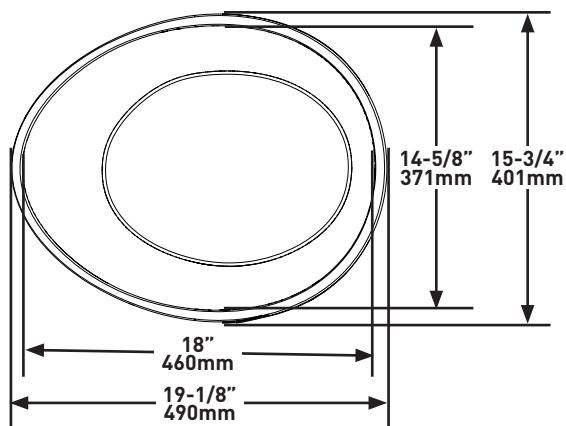
- 25 jaar residentieel
- 8 jaar commercieel
- Voor meer informatie, bezoek vandabaths.com

SPECIFICATIES



SEROSTM49
Wastafel

MODELLEN: FS-SER-49-NO,
FS-SER49M-SM-NO



For care and cleaning, product warranty, and additional information contact:

US Customers

U.S.A.
houseofrohl.com/support
1-800-777-9762

Canadian Customers

QUEBEC / MARITIMES / WESTERN CANADA
QUÉBEC / MARITIMES / OUEST CANADIEN
QUEBEC / MARITIMOS / CANADA OCCIDENTAL
houseofrohl.ca/support

ONTARIO
houseofrohl.ca/support
1-800-287-5354

EMEA Customers

vandabaths.com
+44 (0) 1952 221 100