

# SPECIFICATIONS



## LEDRO™

Freestanding Bath

**MODELS:** LED-N-SW-IO, LEDM-N-SM-IO

**SHAPE**

- Oval

**SIZE**

- Length: 1670 mm, Width: 705 mm, Height: 738 mm

**MATERIAL**

- QUARRYCAST™

**DRAIN HOLE**

- End drain

**WEIGHT**

- 77.8 kg

**CAPACITY**

- 180 Litres

**INSTALLATION TYPE**

- Freestanding

**FINISH**

- Gloss White, Matt White

**DRAIN SET**

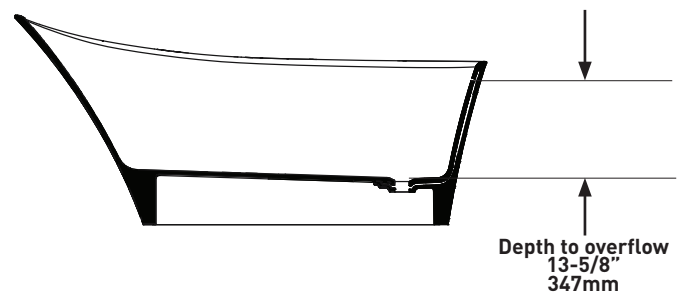
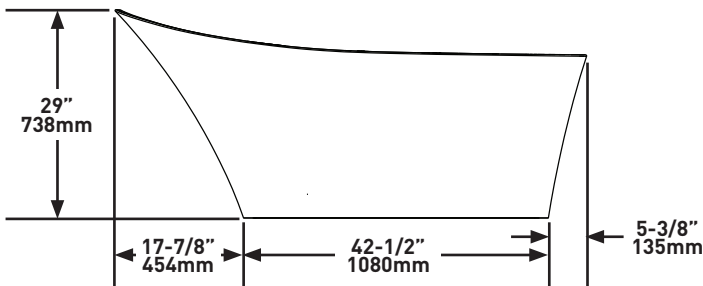
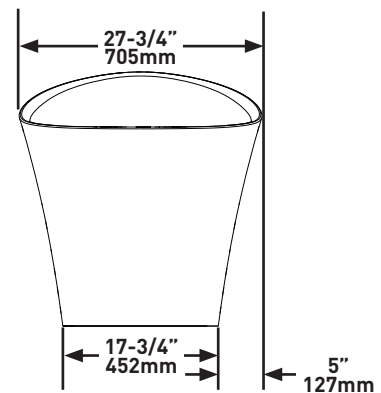
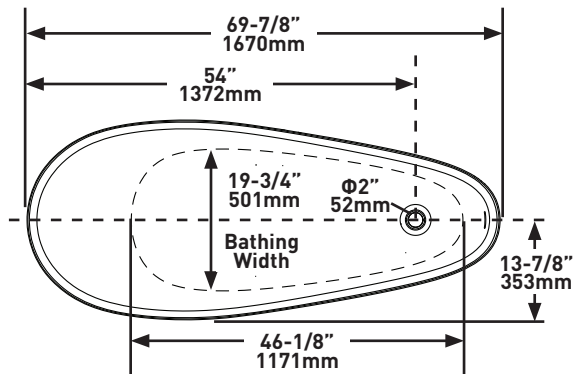
- K-15 required
- Features internal overflow

**STANDARDS**

- CSA B45.5:22, IAPMO Z124-2022

**WARRANTY**

- 25 years residential
- 8 years commercial
- Visit [vandabaths.com](http://vandabaths.com) for more information



For care and cleaning, product warranty, and additional information contact:

**US Customers**

U.S.A.  
[houseofrohl.com/support](http://houseofrohl.com/support)  
 1-800-777-9762

QUEBEC / MARITIMES / WESTERN CANADA  
 QUÉBEC / MARITIMES / OUEST CANADIEN  
 QUEBEC / MARITIMOS / CANADA OCCIDENTAL  
[houseofrohl.ca/support](http://houseofrohl.ca/support)  
 1-866-473-8442

**Canadian Customers**

ONTARIO  
[houseofrohl.ca/support](http://houseofrohl.ca/support)  
 1-800-287-5354

**EMEA Customers**

[vandabaths.com](http://vandabaths.com)  
 +44 (0) 1952 221 100

**FORME**

- Ovale

**DIMENSIONS**

- Longueur: 1670 mm, Largeur: 705 mm, Hauteur: 738 mm

**MATÉRIAU**

- QUARRYCAST™

**ORIFICE D'ÉVACUATION**

- Drain d'extrémité

**POIDS**

- 77.8 kg

**CAPACITÉ**

- 180 litres

**TYPE D'INSTALLATION**

- En îlot

**FINITION**

- Blanc mat (SM) ou blanc laqué (SW)

**ASSEMBLAGE DE DRAIN**

- K-15 requis
- Dispose de trop-plein interne

**CERTIFICATIONS**

- CSA B45.5:22, IAPMO Z124-2022

**GARANTIE**

- 25 années en utilisation domestique
- 8 années en utilisation professionnelle
- Pour davantage d'informations, rendez-vous sur vandabaths.com

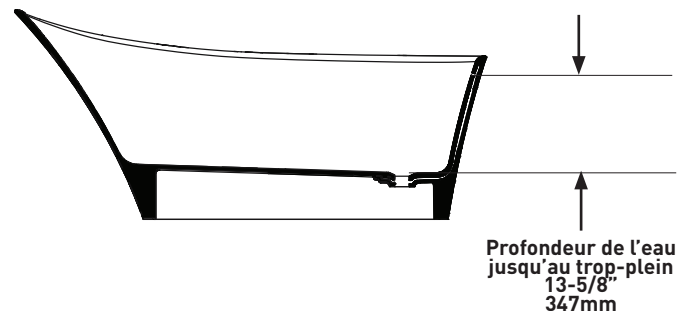
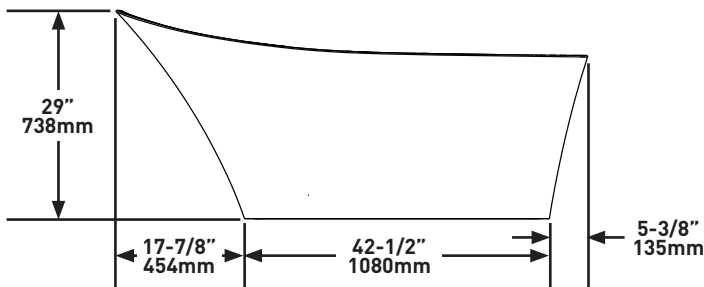
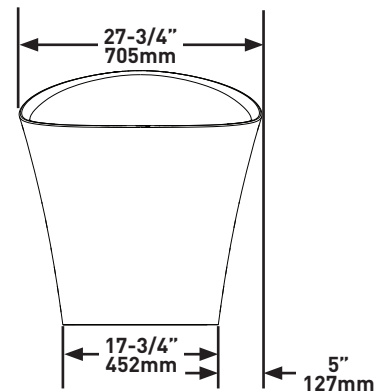
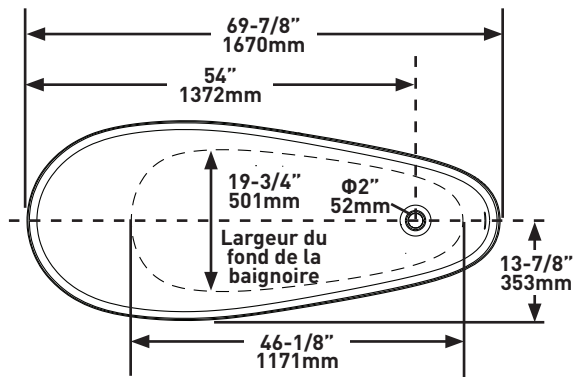
**SPÉCIFICATIONS**



**LEDRO™**

Baignoire îlot

**MODÈLES :** LED-N-SW-IO, LEDM-N-SM-IO



**For care and cleaning, product warranty, and additional information contact:**

**US Customers**

U.S.A.  
houseofrohl.com/support  
1-800-777-9762

QUEBEC / MARITIMES / WESTERN CANADA  
QUÉBEC / MARITIMES / OUEST CANADIEN  
QUEBEC / MARITIMOS / CANADA OCCIDENTAL  
houseofrohl.ca/support  
1-866-473-8442

**Canadian Customers**

ONTARIO  
houseofrohl.ca/support  
1-800-287-5354

**EMEA Customers**

vandabaths.com  
+44 (0) 1952 221 100

# TECHNISCHES DATENBLATT

**FORM**

- Oval

**GRÖSSE**

- Länge: 1670 mm, Breite: 705 mm, Höhe: 738 mm

**MATERIAL**

- QUARRYCAST™

**ABFLUSSLOCH**

- Duschablauf

**GEWICHT**

- 77.8 kg

**KAPAZITÄT**

- 180 Liter

**INSTALLATIONSART**

- Freistehend

**OBERFLÄCHE**

- Wannenoberfläche in Mattweiß (SM) oder Glanzweiß (SW)

**ABFLUSSSET**

- K-15 erforderlich
- Mit internem Überlauf

**ZERTIFIZIERUNGEN**

- CSA B45.5:22, IAPMO Z124-2022

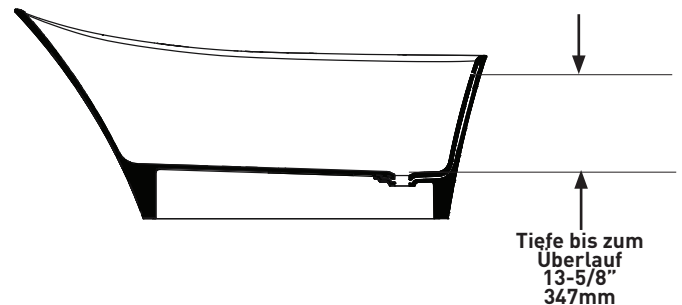
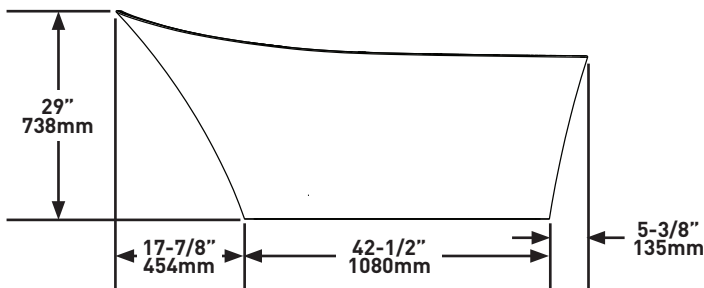
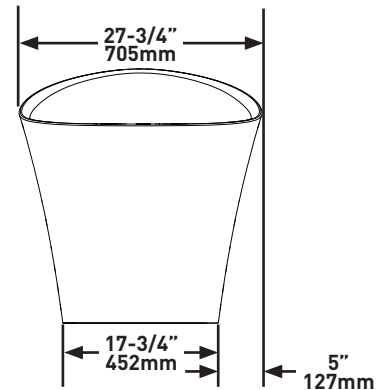
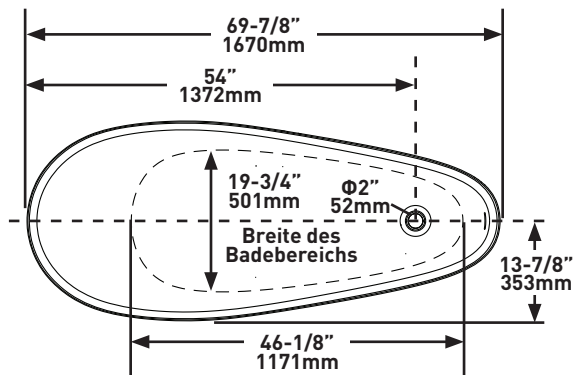
**GARANTIE**

- 25 Jahre private Nutzung
- 8 Jahre gewerbliche Nutzung
- Weitere Informationen unter vandabaths.com



**LEDRO™**  
Freestanding Bath

**MODELLE:** LED-N-SW-IO, LEDM-N-SM-IO



For care and cleaning, product warranty, and additional information contact:

**US Customers**

U.S.A.  
houseofrohl.com/support  
1-800-777-9762

QUEBEC / MARITIMES / WESTERN CANADA  
QUÉBEC / MARITIMES / OUEST CANADIEN  
QUEBEC / MARITIMOS / CANADA OCCIDENTAL  
houseofrohl.ca/support  
1-866-473-8442

**Canadian Customers**

ONTARIO  
houseofrohl.ca/support  
1-800-287-5354

**EMEA Customers**

vandabaths.com  
+44 (0) 1952 221 100

# SPECIFICHE TECNICHE

## FORMA

- Ovale

## DIMENSIONI

- Longueur: 1670 mm, Largeur: 705 mm, Hauteur: 738 mm

## MATERIALE

- QUARRYCAST™

## FORO DI SCARICO

- Scarico terminale

## PESO

- 77.8 kg

## CAPACITÀ

- 180 litri

## TIPO DI INSTALLAZIONE

- Freestanding

## FINITURA

- Bianco opaco (SM) o bianco lucido (SW)

## SET DI SCARICO

- K-15 richiesto
- Dispone di troppopieno interno

## STANDARD

- CSA B45.5:22, IAPMO Z124-2022

## GARANZIA

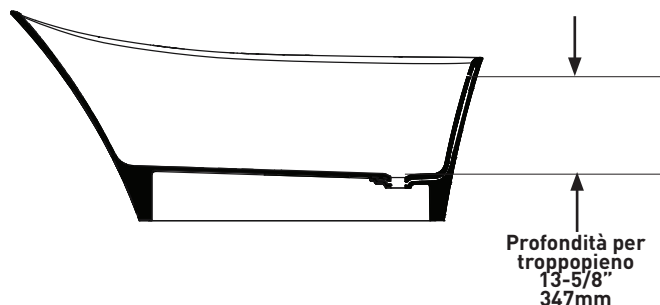
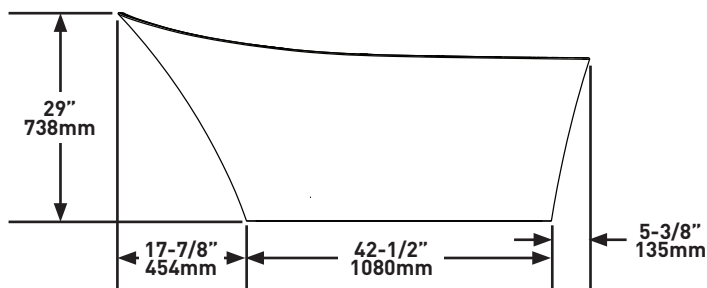
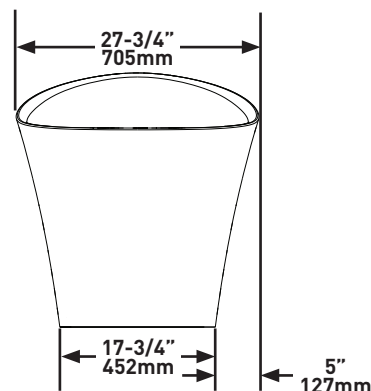
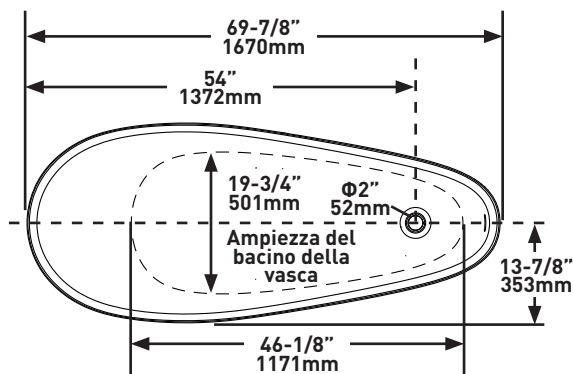
- 25 anni residenziale
- 8 anni commerciale
- Per maggiori informazioni visita vandabaths.com



## LEDRO™

Vasca da bagno a libera installazione

**MODELLI:** LED-N-SW-IO, LEDM-N-SM-IO



For care and cleaning, product warranty, and additional information contact:

### US Customers

U.S.A.  
houseofrohl.com/support  
1-800-777-9762

QUEBEC / MARITIMES / WESTERN CANADA  
QUÉBEC / MARITIMES / OUEST CANADIEN  
QUEBEC / MARITIMOS / CANADA OCCIDENTAL  
houseofrohl.ca/support  
1-866-473-8442

### Canadian Customers

ONTARIO  
houseofrohl.ca/support  
1-800-287-5354

### EMEA Customers

vandabaths.com  
+44 (0) 1952 221 100

**FORMA**

- Ovalado

**TAMAÑO**

- Largo: 1670 mm, Ancho: 705 mm, Alto: 738 mm

**MATERIAL**

- QUARRYCAST™

**AGUJERO DEL DESAGÜE**

- Drenaje final

**PESO**

- 77.8 kg

**CAPACIDAD**

- 180 litros

**TIPO DE INSTALACIÓN**

- Independiente

**ACABADO**

- Blanco mate (SM) o blanco brillante (SW)

**JUEGO DE DESAGÜE**

- Requiere K-15
- Dispone de rebosadero interno

**ESTÁNDARES**

- CSA B45.5:22, IAPMO Z124-2022

**GARANTÍA**

- 25 años para un uso residencial
- 8 años para un uso comercial
- Para más información, visite vandabaths.com

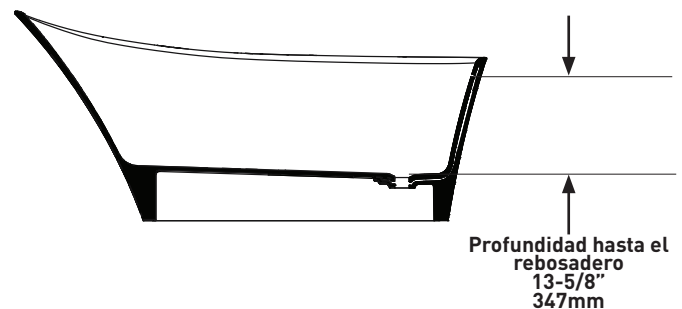
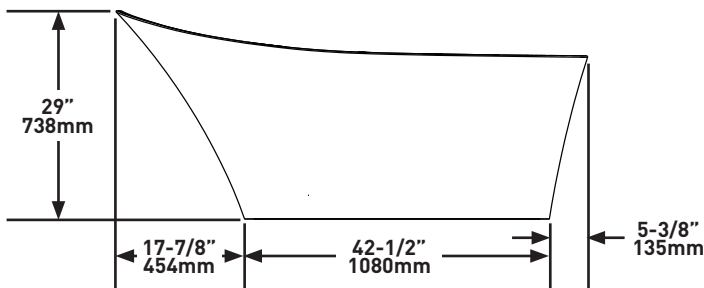
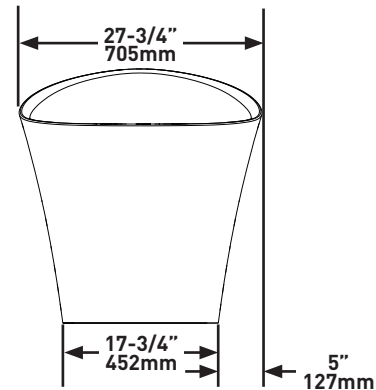
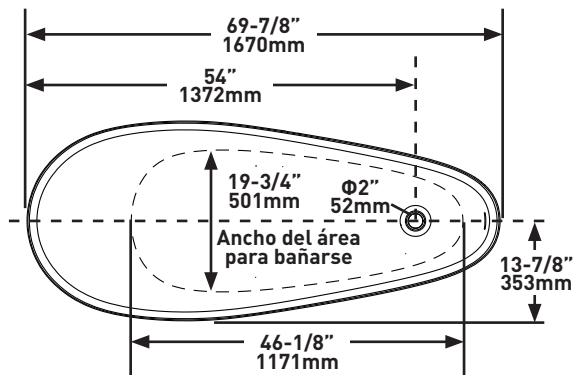
**ESPECIFICACIONES**



**LEDRO™**

Bañera exenta

**MODELOS:** LED-N-SW-IO, LEDM-N-SM-IO



For care and cleaning, product warranty, and additional information contact:

**US Customers**

U.S.A.  
houseofrohl.com/support  
1-800-777-9762

QUEBEC / MARITIMES / WESTERN CANADA  
QUÉBEC / MARITIMES / OUEST CANADIEN  
QUEBEC / MARITIMOS / CANADA OCCIDENTAL  
houseofrohl.ca/support  
1-866-473-8442

**Canadian Customers**

ONTARIO  
houseofrohl.ca/support  
1-800-287-5354

**EMEA Customers**

vandabaths.com  
+44 (0) 1952 221 100

**VORM**

- Ovaal

**FORMAAT**

- Lengte: 1670 mm, Breedte: 705 mm, Hoogte: 738 mm

**MATERIAAL**

- QUARRRYCAST™

**AFVOEROPENING**

- Afvoereinde

**GEWICHT**

- 77.8 kg

**CAPACITEIT**

- 180 litros

**SOORT INSTALLATIE**

- Vrijstaand

**AFWERKING**

- Mat wit (SM) of glanzend wit (SW)

**AFVOERSET**

- K-15 vereist
- Met interne overloop

**CERTIFICERING**

- CSA B45.5:22, IAPMO Z124-2022

**GARANTIE**

- 25 jaar residentieel
- 8 jaar commercieel
- Voor meer informatie, bezoek [vandabaths.com](http://vandabaths.com)

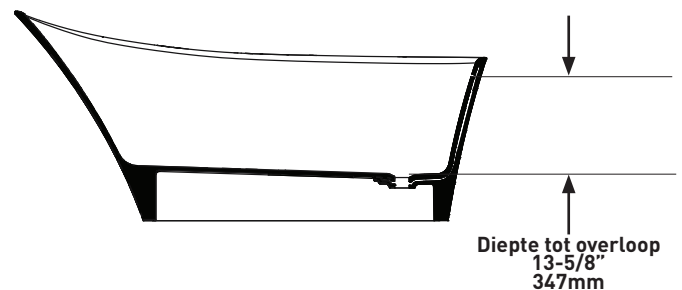
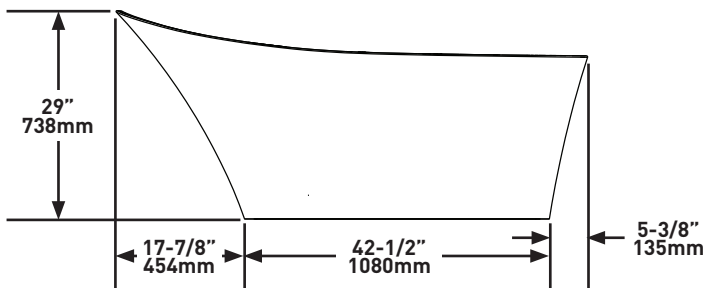
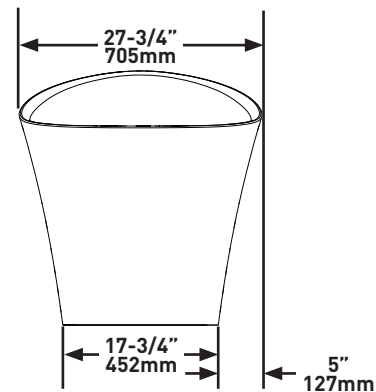
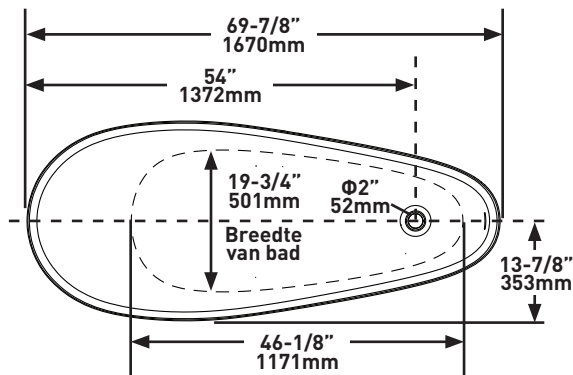
**SPECIFICATIES**



**LEDRO™**

Vrijstaand bad

**MODELLEN:** LED-N-SW-IO, LEDM-N-SM-IO



For care and cleaning, product warranty, and additional information contact:

**US Customers**

U.S.A.  
houseofrohl.com/support  
1-800-777-9762

QUEBEC / MARITIMES / WESTERN CANADA  
QUÉBEC / MARITIMES / OUEST CANADIEN  
QUEBEC / MARITIMOS / CANADA OCCIDENTAL  
houseofrohl.ca/support  
1-866-473-8442

**Canadian Customers**

ONTARIO  
houseofrohl.ca/support  
1-800-287-5354

**EMEA Customers**

vandabaths.com  
+44 (0) 1952 221 100